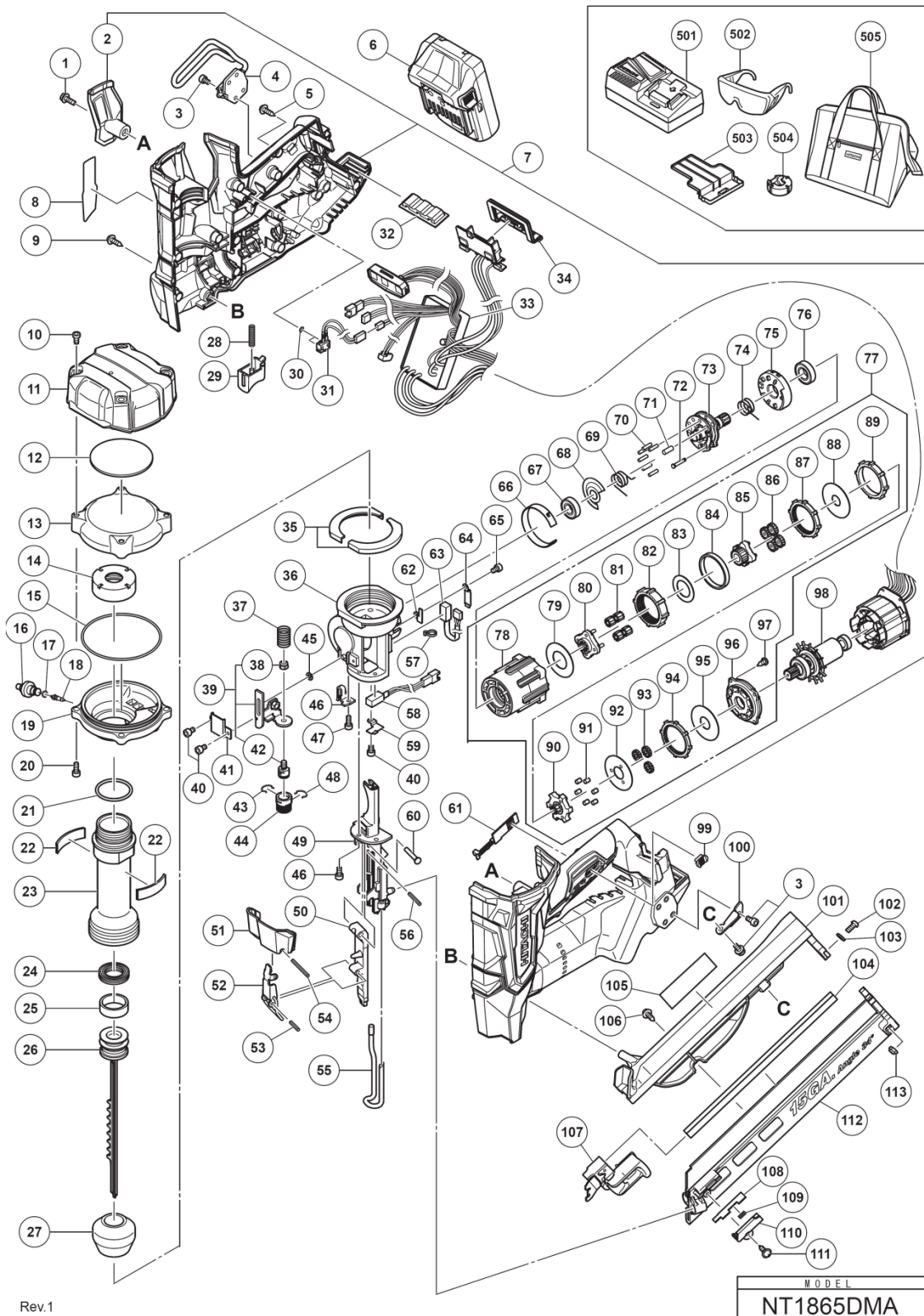


ELECTRIC TOOL PARTS LIST

■ CORDLESS FINISH NAILER
Model NT 1865DMA

2016 • 10 • 27
(E1b)



Rev.1

MODEL
NT1865DMA

PARTS

NT1865DMA

ITEM NO.	CODE NO.	DESCRIPTION	NO. USED	REMARKS
1	880219	HEX. SOCKET HD. BOLT (W/FLANGE) M5X16	1	
2		HOUSING (C)	1	
3	331109	LOW HEAD HEX. SOCKET BOLT M4X8	7	
4	371214	HOOK	1	
5	301653	TAPPING SCREW (W/FLANGE) D4X20 (BLACK)	13	
6	339782	BATTERY BSL 1830C (USA.CAN)	1	INCLUD.503
7	371009	HOUSING ASS'Y	1	INCLUD.2
8		NAME PLATE	1	
9	994806	P-TITE SCREW D4X20	1	
10	371015	HEX. SOCKET BOLT M5	4	
11	371014	TOP COVER	1	
12	371012	RUBBER CUSHION (C)	1	
13	371035	CHAMBER COVER	1	
14	371040	SPECIAL NUT M36	1	
15	371037	O-RING (I.D 79.5)	1	
16	371039	CHARGE CAP	1	
17	872822	O-RING (S-5)	1	
18	371038	VALVE CORE	1	
19	371036	CHAMBER BASE	1	
20	949658	HEX. SOCKET HD. BOLT M5X18 (10 PCS.)	4	
21	371042	O-RING (I.D 32.99)	1	
22	371011	RUBBER CUSHION (B)	2	
23	371041	CYLINDER	1	
24	371046	X-RING	1	
25	371047	SLIDE RING	1	
26	371045	PISTON	1	
27	371048	PISTON BUMPER	1	
28	332000	SPRING (T)	1	
29	371021	TRIGGER	1	
30	371020	O-RING (I.D 2.5)	2	
31	371019	SWITCH CABLE (A)	1	
32	332668	RUBBER CUSHION	1	
33	370932	WIRING	1	
34	370728	TERMINAL RUBBER (A)	1	
35	371010	RUBBER CUSHION (A)	2	
36	371050	NOSE	1	
37	371067	SPRING	1	
38	877371	NYLON NUT M5	1	
39	371064	PUSHING LEVER ARM	1	INCLUD.38.42
40	325077	SEAL LOCK HEX. SOCKET HD. BOLT M3X6	3	
41	371058	PUSHING LEVER ARM HOLDER	1	
42	371065	PUSHING LEVER PIECE	1	
43	881765	RATCHET SPRING	1	
44	887358	ADJUSTER	1	
45	371062	WASHER D4	1	
46	371061	PUSHING LEVER ARM HOLDER (B)	1	
47	886311	SEAL LOCK HEX. SOCKET HD. BOLT M4X12	3	
48	886331	RATCHET SPRING	1	
49	371057	BLADE GUIDE	1	
50	371070	GUIDE PLATE	1	
51	371079	LOCK LEVER COVER	1	
52	371076	LOCK LEVER	1	
53	949496	ROLL PIN D3X16 (10 PCS.)	1	
54	371080	ROLL PIN D3X32	1	
55	371083	PUSHING LEVER	1	
56	371077	ROLL PIN D3X22	1	
57	6696839	WIRE BAND	1	
58	371022	SENSOR (B)	1	
59	371052	SENSOR HOLDER (A)	1	
60	371073	GUIDE PIN	1	

Parts

NT1865DMA

ITEM NO.	CODE NO.	DESCRIPTION	NO. USED	REMARKS
61	331790	LEVER (C)	1	
62	371053	SENSOR HOLDER (A)	1	
63	371023	SENSOR (C)	1	
64	371054	SENSOR HOLDER (B)	1	
65	325241	SEAL LOCK HEX. SOCKET HD. BOLT M3X8	1	
66	371051	SHIELD RING	1	
67	371033	BALL BEARING	1	
68	371032	WASHER (A)	1	
69	371027	WHEEL SPRING (A)	1	
70	371030	NEEDLE ROLLER D3	6	
71	371031	NEEDLE ROLLER D4.5	1	
72	371029	PIN (A)	1	
73	371026	PIN WHEEL	1	
74	371028	WHEEL SPRING (B)	1	
75	371034	POSITION DETECTOR	1	
76	6901VV	BALL BEARING 6901VV	1	
77	371025	GEAR BOX ASS'Y	1	INCLUD.78-97
78		GEAR CASE	1	
79		WASHER (E)	1	
80		CARRIER	1	
81		PLANET GEAR (C) SET (4 PCS.)	4	
82		RING GEAR (C)	1	
83		WASHER (D)	1	
84		GEAR SPACER	1	
85		PINION (C)	1	
86		PLANET GEAR (B) SET (4 PCS.)	4	
87		RING GEAR (B)	1	
88		WASHER (C)	1	
89		LOCK RING	1	
90		PINION (B)	1	
91		NEEDLE ROLLER (A) SET (6 PCS.)	6	
92		WASHER (B)	1	
93		PLANET GEAR (A) SET (3 PCS.)	3	
94		RING GEAR (A)	1	
95		WASHER (A)	1	
96		MOTOR SPACER	1	
97		SCREW SET D3X8 (4 PCS.)	4	
98	361054	ROTOR	1	
99	326276	LEVER (A)	1	
100	371093	MAGAZINE HOLDER	1	
101	371085	MAGAZINE COVER	1	
102	885997	MACHINE SCREW M5X15 (BLACK)	2	
103	949431	BOLT WASHER M5 (10 PCS.)	2	
104	886591	NAIL RAIL	1	
105	371107	CAUTION LABEL	1	
106	307811	TAPPING SCREW (W/FLANGE) D4X16 (BLACK)	1	
107	371090	NAIL FEEDER (B)	1	
108	371091	PUSHING STOPPER (A)	1	
109	886619	PUSHING STOPPER SPRING	1	
110	886616	PUSHING STOPPER COVER	1	
111	306371	TAPPING SCREW (W/FLANGE) D3X10 (BLACK)	1	
112	371226	MAGAZINE	1	
113	877371	NYLON NUT M5	2	

