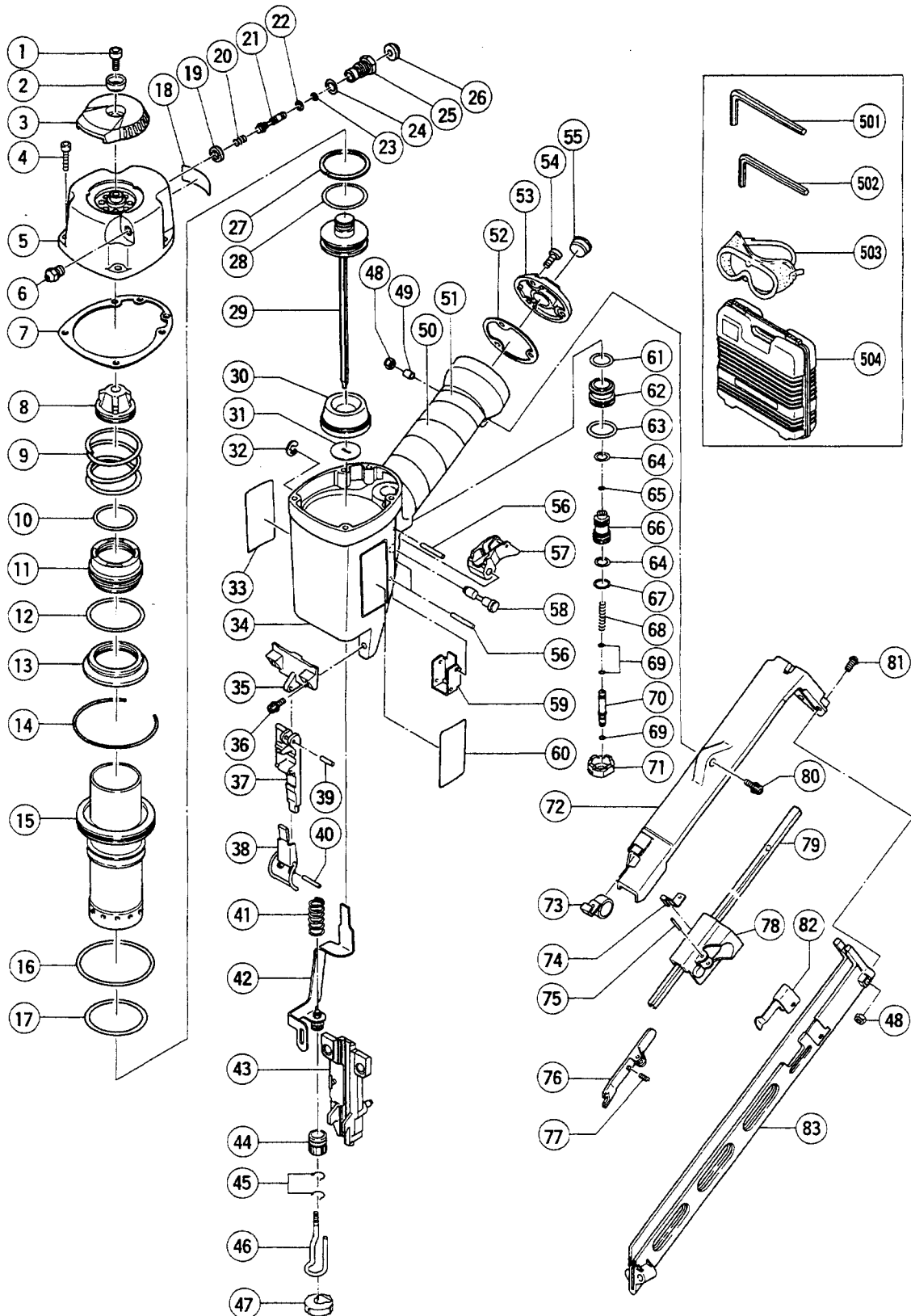


PNEUMATIC TOOL PARTS LIST

■ FINISH NAILER
Model NT 65MA

1999·4·30
(E1)



PARTS

NT 65MA

| ITEM NO. | CODE NO. | DESCRIPTION | NO. USED | REMARKS |
|----------|----------|--------------------------------------|----------|--------------|
| 1 | 949-755 | HEX. SOCKET HD. BOLT M6X16 (10 PCS.) | 1 | |
| 2 | 880-515 | PLATE | 1 | |
| 3 | 880-514 | TOP COVER | 1 | |
| 4 | 949-757 | HEX. SOCKET HD. BOLT M5X20 (10 PCS.) | 4 | |
| 5 | 882-940 | EXHAUST COVER | 1 | |
| 6 | 881-714 | NOSE | 1 | |
| 7 | 880-358 | GASKET | 1 | |
| 8 | 881-761 | EXHAUST VALVE RUBBER (A) | 1 | |
| 9 | 880-356 | HEAD VALVE SPRING | 1 | |
| 10 | 980-879 | O-RING (S-34) | 1 | |
| 11 | 880-354 | HEAD VALVE | 1 | |
| 12 | 878-714 | CYLINDER O-RING (C) I.D 44.7 | 1 | |
| 13 | 881-760 | HEAD VALVE RUBBER (A) | 1 | |
| 14 | 880-669 | RETAINING RING | 1 | |
| 15 | 881-759 | CYLINDER | 1 | |
| 16 | 877-312 | CYLINDER O-RING (I.D 63.1) | 1 | |
| 17 | 878-716 | O-RING (P-46) | 1 | |
| 18 | | CAUTION PLATE | 1 | |
| 19 | 881-711 | VALVE PACKING | 1 | |
| 20 | 881-900 | SPRING | 1 | |
| 21 | 881-712 | PLUNGER | 1 | |
| 22 | 873-093 | O-RING (1AP-3) | 1 | |
| 23 | 881-715 | O-RING (S3) | 1 | |
| 24 | 987-105 | O-RING (S-10) | 1 | |
| 25 | 881-710 | VALVE BUSHING | 1 | |
| 26 | 881-713 | KNOB | 1 | |
| 27 | 881-740 | PISTON RING | 1 | |
| 28 | 880-311 | O-RING (I.D 34.2) | 1 | |
| 29 | 881-763 | PISTON | 1 | |
| 30 | 881-741 | PISTON BUMPER | 1 | |
| 31 | 881-756 | BUMPER SHEET | 1 | |
| 32 | 955-479 | RETAINING RING (E-TYPE) FOR D6 SHAFT | 1 | |
| 33 | 878-184 | WARNING LABEL | 1 | |
| 34 | 881-757 | BODY ASS'Y | 1 | INCLUD.50,51 |
| 35 | 881-764 | GUIDE PLATE (B) | 1 | |
| 36 | 949-661 | HEX. SOCKET HD. BOLT M6X30 (10 PCS.) | 2 | |
| 37 | 881-743 | GUIDE PLATE (A) | 1 | |
| 38 | 881-747 | LOCK LEVER | 1 | |
| 39 | 949-770 | ROLL PIN D4X14 (10 PCS.) | 1 | |
| 40 | 949-685 | ROLL PIN D3X20 (10 PCS.) | 1 | |
| 41 | 877-894 | HOLDER SPRING | 1 | |
| 42 | 881-749 | PUSHING LEVER (B) | 1 | |
| 43 | 881-742 | BLADE GUIDE | 1 | |
| 44 | 881-748 | ADJUSTER | 1 | |
| 45 | 881-765 | RATCHET SPRING | 2 | |
| 46 | 881-750 | PUSHING LEVER (A) | 1 | |
| 47 | 881-751 | NOSE CAP (A) | 1 | |
| 48 | 877-371 | NYLON NUT M5 | 3 | |
| 49 | 881-774 | SLEEVE | 1 | |
| 50 | 881-768 | GRIP TAPE (A) | 1 | |
| 51 | 880-407 | TAPE | 2 | |

* : ALTERNATIVE PARTS

4 - 99

