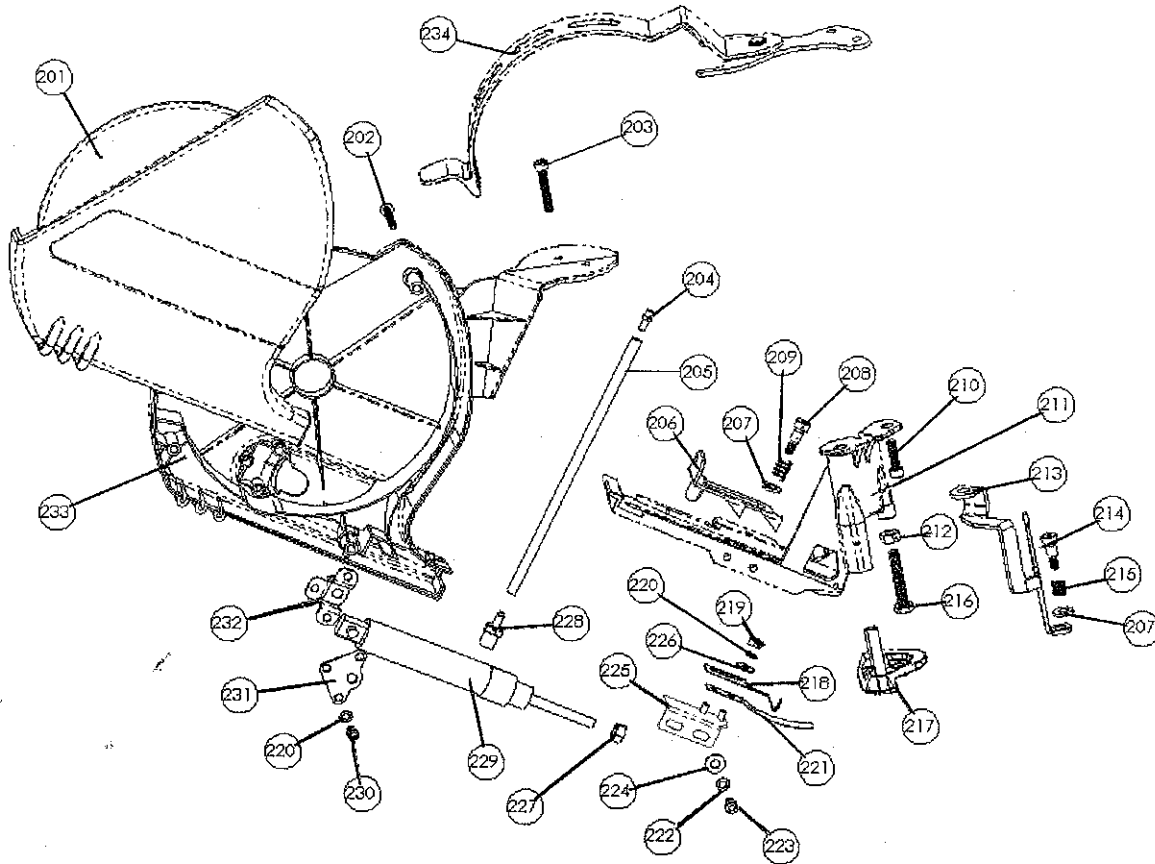


NV50AP2 PARTS LIST

(Refer to NV50A1 Parts List for parts not shown here)



ITEM NO.	PART NO.	DESCRIPTION	QTY.
201	726010	Holder Reel - Front Assy	1
202	725973R	Screw, PT M4-35mm	3
203	726011R	Screw, M5x30 Hex Socket Cap w/washers	2
204	726003R	Barb Fitting, Nailor	1
205	726004R	Tubing (7 1/2")	1
206	726035R	Picker	1
207	725971R	Washer, Shoulder Screw	2
208	725992R	Screw, Shoulder 1/4 x 1/2"	1
209	725979R	Compression Spring 0.625	1
210	726018R	Screw, M5X20 Hex Socket Cap w/Nylock	2
211	726032R	Track	1
212	725993R	Nut, Hex 1/4-20	1
213	726019R	Push Lever	1
214	726022R	Screw, Shoulder 1/4 x 3/8"	1
215	726023R	Compression Spring 0.375	1
216	725997R	Stop Bolt	1
217	726034	Foot Assembly	1

ITEM NO.	PART NO.	DESCRIPTION	QTY.
218	726036	Indexing Spring	1
219	725976R	Nut, Hex #8-32	2
220	725975R	Washer, Split #8	5
221	725982R	Retaining Spring	1
222	725995R	Washer, Split #10	2
223	725996R	Screw, #10-32 Socket Cap (3/8")	2
224	725994R	Washer, Flat #10	2
225	725985R	Retainer	1
226	725974R	Washer, Flat #8	2
227	725972R	Nut, Hex 1/4-28	2
228	726002R	Barb Fitting, Cylinder	1
229	725990R	Cylinder	1
230	726017R	Screw, #8-32 Socket Cap (3/8")	3
231	725986R	Bracket Cap	1
232	725987R	Cylinder Shroud	1
233	725988R	Holder Reel - Rear	1
234	726042	Cap Cover Assy	1

Hitachi Koki U.S.A., Ltd.

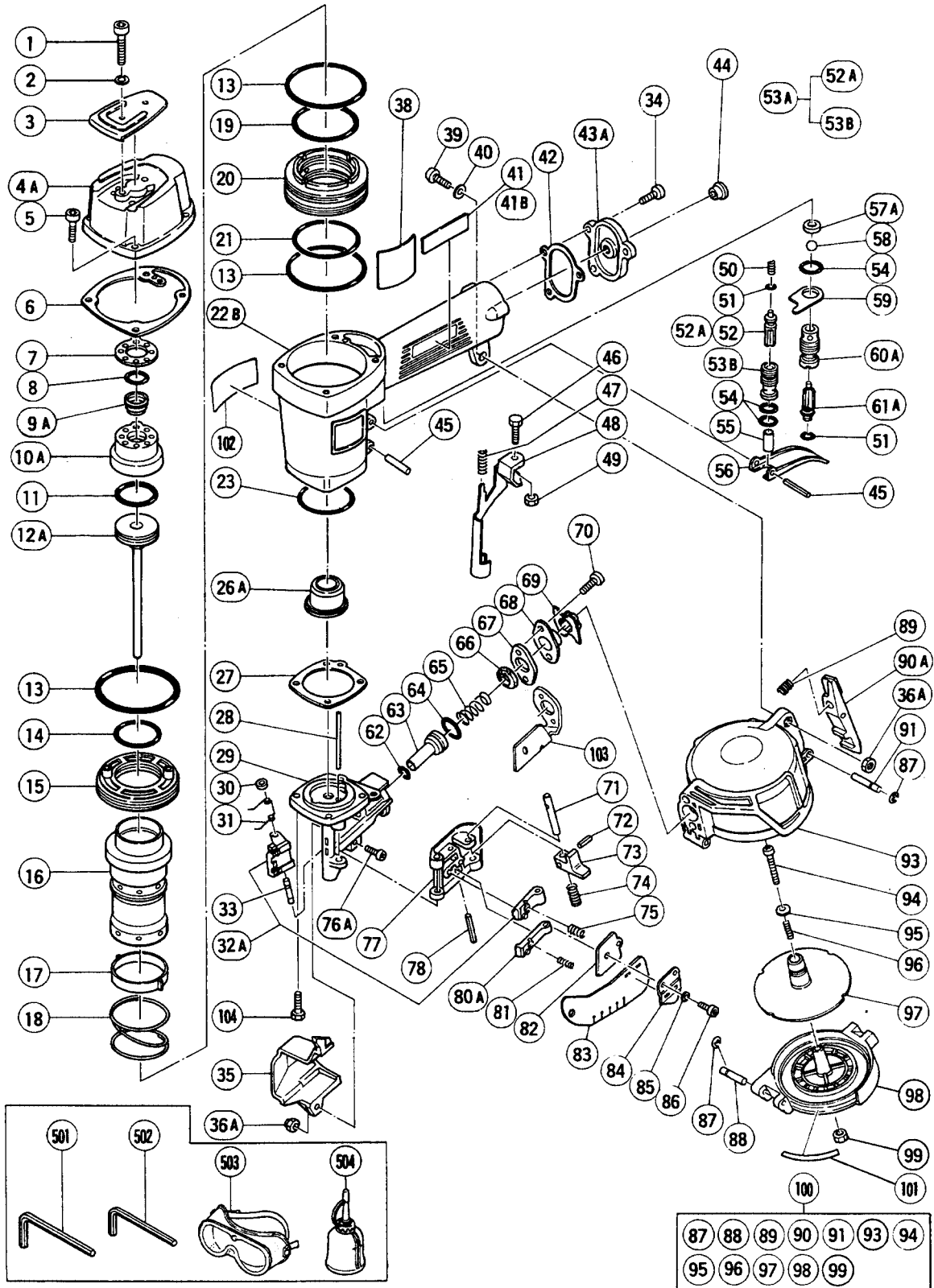
3950 Steve Reynolds Blvd.
Norcross, GA 30093

PRINTED IN U.S.A.
CODE: NV50AP20012A

PNEUMATIC TOOL PARTS LIST

■ COIL NAILER
Model NV 50A1

1995 · 10 · 10
(E6)



PARTS

NV 50A1

ITEM NO.	CODE NO.	DESCRIPTION	NO. USED	REMARKS
1	949-862	HEX. SOCKET HD. BOLT M5X25 (10 PCS.)	2	
2	949-454	SPRING WASHER M5 (10 PCS.)	12	
3	878-179	TOP COVER	1	
4A	880-275	EXHAUST COVER (B)	1	
5	949-757	HEX. SOCKET HD. BOLT M5X20 (10 PCS.)	4	
6	878-712P	GASKET (F)	1	
7	878-713P	GASKET (G)	1	
8	872-821	VALVE O - RING	2	TILL 12.1987
9A	878-417	EXHAUST VALVE	1	
10A	878-711P	HEAD CAP	1	
11	878-174	PISTON O - RING	2	
12A	877-898	PISTON (H)	1	
13	878-181	O - RING (S - 85)	3	
14	877-128	CYLINDER O - RING (D)	1	
15	878-188	CYLINDER PLATE	1	
16	877-486	CYLINDER	1	
17	878-187	CYLINDER RING	1	
18	878-172	CYLINDER SPRING	1	
19	877-123	CYLINDER O - RING (A)	1	
20	877-122	CYLINDER GUIDE	1	
21	877-124	CYLINDER O - RING (B)	1	
22B	878-708P	BODY (B)	1	
23	877-125	CYLINDER O - RING (C)	1	
26A	878-179	PISTON BUMPER	1	
27	878-873	GASKET (A)	1	
28	877-823	NAIL GUIDE SHAFT	1	
29	877-899	NOSE	1	
30	877-828	FEEDER SHAFT RING	1	
31	877-474	FEEDER SPRING	1	
32A	880-270	FEEDER SET	1	
33	877-804	FEEDER SHAFT	1	
34	949-821	HEX. SOCKET HD. BOLT M5X18 (10 PCS.)	3	
35	877-480	GUARD	1	
36A	877-371	NYLON NUT M5	2	
38		NAME PLATE	1	
39	949-241	MACHINE SCREW M5X20 (10 PCS.)	1	
40	878-205	WASHER	1	
41	950-585	HITACHI LABEL	1	TILL 7.1988
41B	878-859	HITACHI LABEL	1	SINCE 8.1988
42	877-131	GASKET (D)	1	
43A	880-036	CAP	1	
44	872-035	DUST CAP	1	
45	949-888	ROLL PIN D3X30 (10 PCS.)	2	
46	875-850	SAFETY BOLT	1	
47	878-876	SAFETY SPRING	1	
47	877-843	SPRING	1	FOR EUROPE
48	877-890	PUSHING LEVER	1	
49	949-555	NUT M5 (10 PCS.)	1	
50	875-843	PLUNGER SPRING	1	
51	874-820	PLUNGER O - RING	2	
52	878-739	SAFETY PLUNGER (A)	1	TILL 7.1988

*: ALTERNATIVE PARTS

PARTS

NV 50A1

ITEM NO.	CODE NO.	DESCRIPTION	NO. USED	REMARKS
52A	878-122	PLUNGER (A)	1	SINCE 8.1986
53A	876-764	VALVE BUSHING ASS'Y	1	INCLUD.52A,53B TILL 7.1986
53B	878-266	VALVE BUSHING	1	SINCE 8.1986
54	875-638	O - RING (S - 12)	3	
55	875-642	SAFETY PLUNGER (B)	1	
56	876-203	TRIGGER	1	
57A	878-734	VALVE PACKING	1	
58	875-645	URETHANE BALL (C) D7.14	1	
59	875-644	VALVE PLATE	1	
60A	877-335	TRIGGER VALVE BUSHING	1	
61A	878-121	TRIGGER PLUNGER	1	
62	872-645	O - RING (P - 9)	1	
63	877-475	FEED PISTON	1	
64	873-570	O - RING (P - 18)	1	
65	876-693	FEED SPRING	1	
66	877-476	BUMPER	1	
67	877-477	FEED PISTON COVER (A)	1	FOR USA
68	877-478	FEED PISTON COVER (B)	1	
69	877-479	MAGAZINE BUSHING	1	
70	949-819	HEX. SOCKET HD. BOLT M5X10 (10 PCS.)	2	
71	876-682	LOCK SHAFT	1	
72	949-776	ROLL PIN D3X10 (10 PCS.)	1	
73	877-374	GUIDE LOCK	1	
74	877-372	SPRING	1	
75	876-681	MAIN STOPPER SPRING	1	
76A	949-239	MACHINE SCREW M5X16 (10 PCS.)	1	
77	877-485	NAIL GUIDE	1	
78	949-865	ROLL PIN D3X28 (10 PCS.)	1	
80A	877-493	SUB NAIL STOPPER	1	
81	877-488	SUB STOPPER SPRING	1	
82	877-489	NAIL GUIDE COVER	1	
83	877-470	COVER	1	
84	877-471	COVER PLATE	1	
85	949-453	SPRING WASHER M4 (10 PCS.)	2	
86	949-811	HEX. SOCKET HD. BOLT M4X8 (10 PCS.)	2	
87	872-971	RETAINING RING (E - TYPE) FOR D3 SHAFT	2	
88	877-152	HINGE PIN	1	
89	877-149	STOPPER SPRING	1	
90A	880-146	MAGAZINE STOPPER	1	
91	877-150	STOPPER PIN	1	
93	877-906	MAGAZINE	1	
94	949-228	MACHINE SCREW M4X40 (10 PCS.)	1	
95	875-246	WASHER	1	
96	877-894	HOLDER SPRING	1	
97	877-893	NAIL HOLDER	1	
98	877-895	MAGAZINE COVER	1	
99	876-465	NYLON NUT M4	1	
100	877-902	MAGAZINE ASS'Y	1	INCLUD.87 - 91,93 - 99,101
100	877-892	MAGAZINE ASS'Y	1	INCLUD.87 - 91,93 - 99 FOR EUROPE
101	877-903	LABEL	1	EXCEPT FOR EUROPE

*: ALTERNATIVE PARTS

