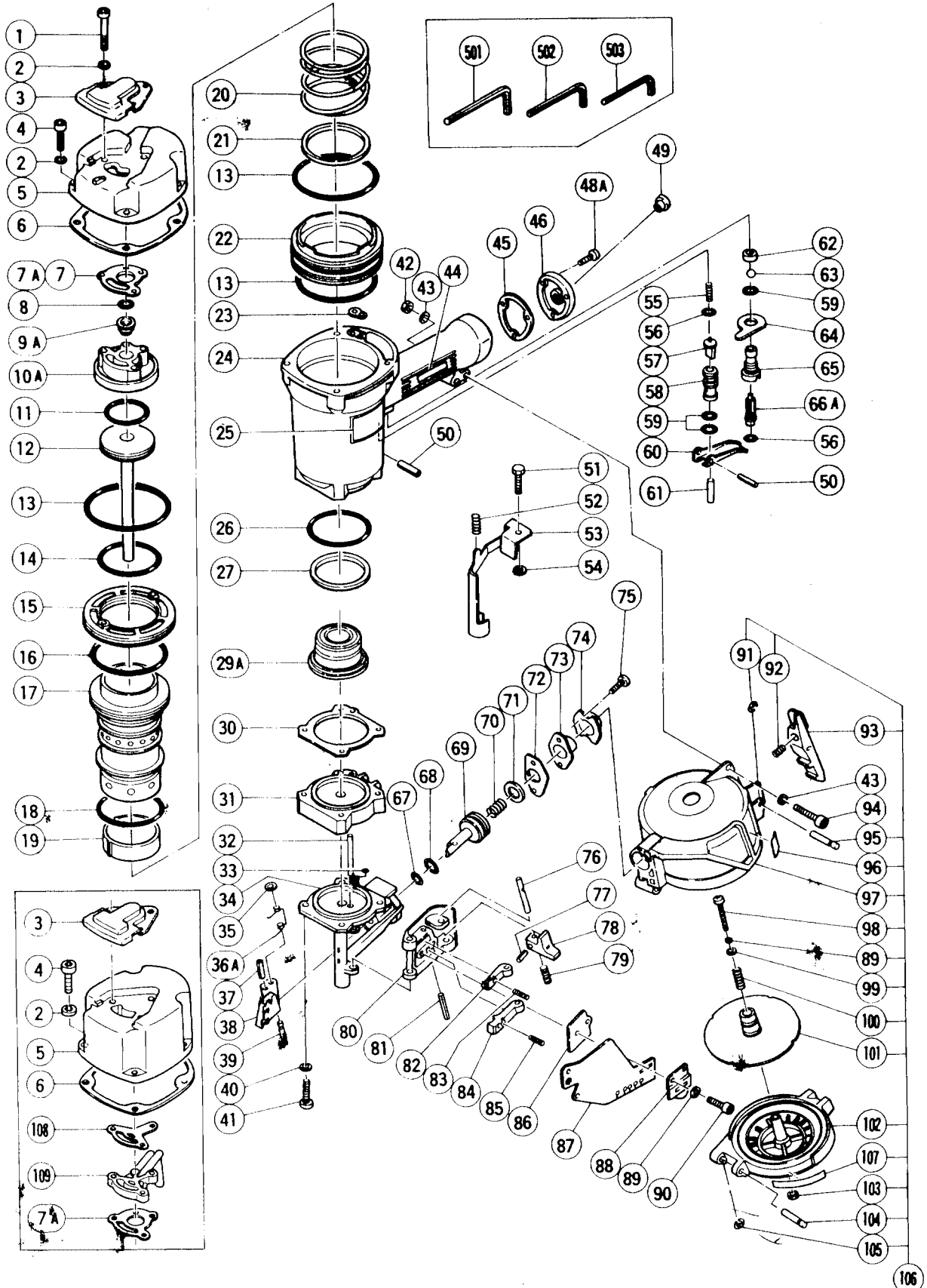


PNEUMATIC TOOL PARTS LIST

■ NAILER

1990-2-23

Model NV 65AA
NV 65AA(E5)


PARTS

NV 65AA

ITEM NO.	CODE NO.	DESCRIPTION	NO. USED	REMARKS
* 1	949-670	HEX. SOCKET HD. BOLT M6X22 (10 PCS.)	3	
* 1	949-832	HEX. SOCKET HD. BOLT M6X45 (10 PCS.)	3	FOR AUS
2	949-455	SPRING WASHER M6 (10 PCS.)	7	
3	877-330	TOP COVER	1	
4	949-652	HEX. SOCKET HD. BOLT M6X25 (10 PCS.)	4	
* 5	877-848	EXHAUST COVER	1	
* 5	877-384	EXHAUST COVER	1	FOR AUS
6	877-325	PACKING (B)	1	
7	877-326	PACKING (C)	1	TILL 6.1988
7A	877-854	PACKING (C)	1	SINCE 7.1988
8	872-821	VALVE O-RING	2	TILL 3.1988
9A	878-417	EXHAUST VALVE	1	
10A	877-852	HEAD CAP AND PACKING SET	1	INCLUD.7A
11	877-368	O-RING (1AP-48)	2	
12	877-847	PISTON	1	
13	877-316	O-RING (S-90)	3	
14	877-312	CYLINDER O-RING (BORE SIZE 63.1MM)	1	
15	877-318	CYLINDER PLATE	1	
16	877-313	CYLINDER O-RING (BORE SIZE 79.3MM)	1	
17	877-810	CYLINDER	1	
18	877-314	CYLINDER O-RING (BORE SIZE 69.3MM)	1	
19	877-317	CYLINDER RING	1	
20	877-321	CYLINDER SPRING	1	
21	877-322	BASE WASHER	1	
22	877-310	CYLINDER GUIDE	1	
* 23	877-813	PACKING (G)	1	
* 23	877-327	PACKING (G)	1	FOR AUS
24	877-849	BODY (B)	1	
25		NAME PLATE	1	
26	877-315	CYLINDER O-RING (BORE SIZE 63.9MM)	1	
27	877-319	CYLINDER DAMPER	1	TILL 7.1988
29A	878-303	PISTON DAMPER	1	
30	877-815	PACKING (A)	1	
31	877-850	DAMPER PIECE	1	
32	877-823	NAIL GUIDE SHAFT	1	
33	874-436	O-RING (P-4)	1	
34	877-814	TAIL COVER	1	
35	877-826	FEEDER SHAFT RING	1	
36A	877-851	FEEDER SPRING	1	
37	949-496	ROLL PIN D3X16 (10 PCS.)	1	
38	877-824	FEEDER	1	
39	877-825	FEEDER SHAFT	1	
40	949-457	SPRING WASHER M8 (10 PCS.)	4	
41	949-837	HEX. SOCKET HD. BOLT M8X45 (10 PCS.)	4	
42	877-371	NYLON NUT M5	1	
43	949-424	WASHER M5 (10 PCS.)	2	
44	950-565	HITACHI LABEL	1	
45	877-331	PACKING (D)	1	
46	877-367Z	CAP	1	
48A	949-658	HEX. SOCKET HD. BOLT M5X18 (10 PCS.)	3	
49	872-035	DUST CAP	1	
50	949-866	ROLL PIN D3X30 (10 PCS.)	2	

* : ALTERNATIVE PARTS

02-90

PARTS

NV 65AA

ITEM NO.	CODE NO.	DESCRIPTION	NO. USED	REMARKS
51	875-650	SAFETY BOLT	1	
52	877-365	SPRING	1	
53	877-817	PUSHING LEVER	1	
54	949-555	NUT M5 (10 PCS.)	1	
55	875-643	PLUNGER SPRING	1	
56	874-820	PLUNGER O-RING	2	
57	876-739	SAFETY PLUNGER (A)	1	
58	877-843	VALVE BUSHING	1	
59	875-638	O-RING (S-12)	3	
60	876-203	TRIGGER	1	
61	877-844	PLUNGER (B)	1	
62	875-637	VALVE PACKING	1	
63	875-645	URETHANE BALL (B) D7.14	1	
64	875-644	VALVE PLATE	1	
65	877-335	TRIGGER VALVE BUSHING	1	
66A	878-121	TRIGGER PLUNGER	1	
67	872-645	O-RING (P-9)	1	
68	876-796	O-RING (P-22)	1	
69	877-709	FEED PISTON	1	
70	877-144	FEED SPRING	1	
71	877-711	DAMPER	1	
72	877-827	FEED PISTON COVER (A)	1	
73	877-713	FEED PISTON COVER	1	
74	877-479	MAGAZINE BUSHING	1	
75	877-839	SEAL LOCK HEX. SOCKET HD. BOLT M5X10	2	
76	877-820	LOCK SHAFT	1	
77	949-776	ROLL PIN D3X10 (10 PCS.)	1	
78	877-821	GUIDE LOCK	1	
79	877-372	SPRING	1	
80	877-834	NAIL GUIDE	1	
81	949-865	ROLL PIN D3X28 (10 PCS.)	1	
82	877-466	MAIN NAIL STOPPER	1	
83	876-681	MAIN STOPPER SPRING	1	
84	877-819	SUB NAIL STOPPER	1	
85	877-468	SUB STOPPER SPRING	1	
86	877-469	NAIL GUIDE COVER	1	
87	877-822	COVER	1	
88	877-471	COVER PLATE	1	
89	949-453	SPRING WASHER M4 (10 PCS.)	3	
90	877-838	SEAL LOCK HEX. SOCKET HD. BOLT M4X8	2	
91	872-971	RETAINING RING (E-TYPE) FOR D3 SHAFT	1	
92	877-149	STOPPER SPRING	1	
93	877-151	MAGAZINE STOPPER	1	
94	949-664	HEX. SOCKET HD. BOLT M5X30 (10 PCS.)	1	
95	877-150	STOPPER PIN	1	
96	877-901	CAUTION PLATE	1	
97	877-829	MAGAZINE	1	
98	949-230	MACHINE SCREW M4X50 (10 PCS.)	1	
99	875-246	WASHER	2	
100	877-830	HOLDER SPRING	1	
101	877-837	NAIL HOLDER	1	
102	877-831	MAGAZINE COVER	1	

