

FIG A

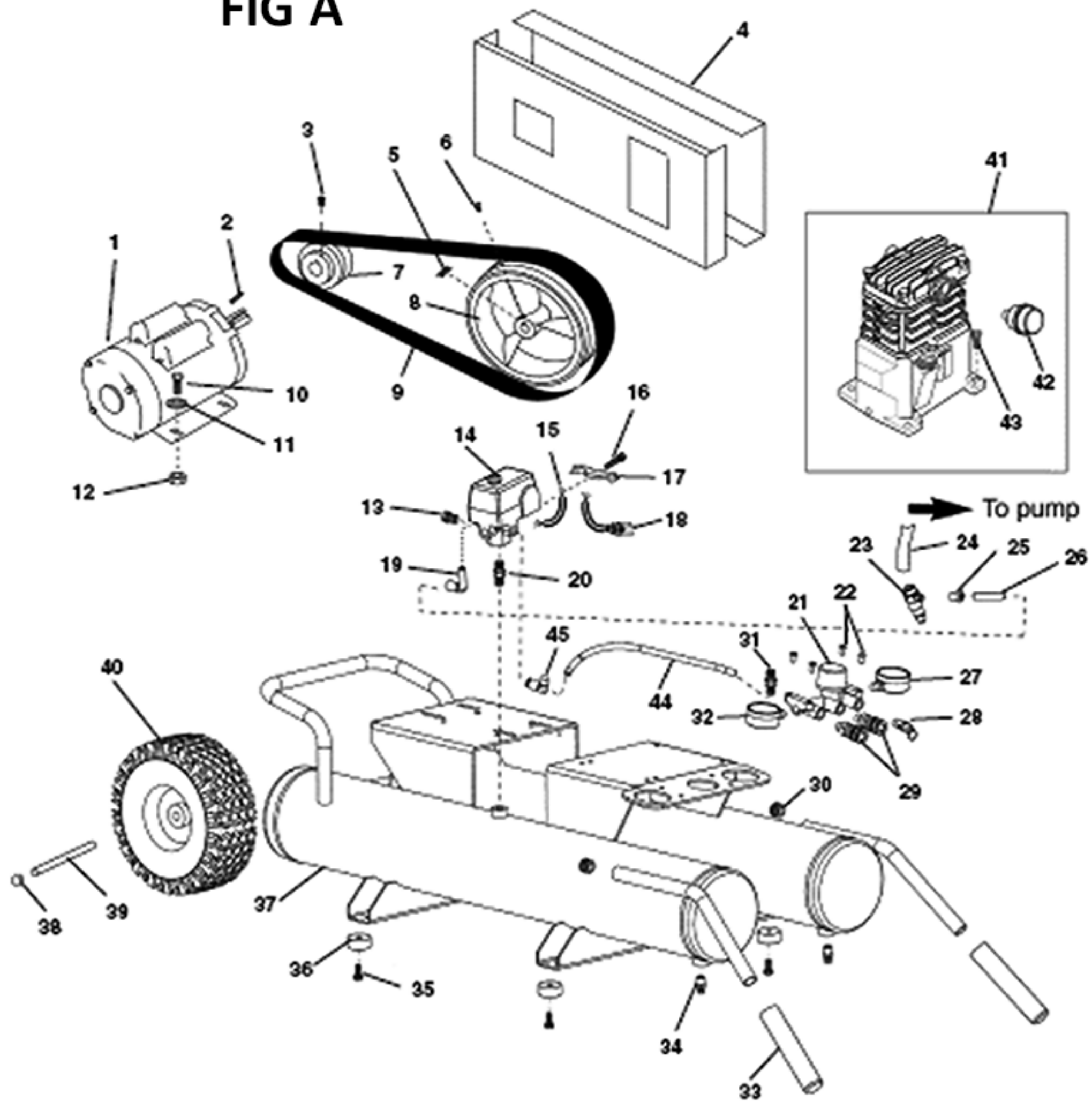


FIG B

