



**BOSCH**

# Orbital Sander

OS50VC | 3 601 B92 911

---

## Table of Content

Spare parts list.....	2
Illustration - Type.....	4

## Spare parts list

Item	Part Number	Description	Illustration
1	2 605 105 964	Housing Section BLUE	1
2	2 604 220 751	Field 110V	1
4	2 607 200 689	Switch	1
5	2 604 460 240	Power supply cord USA/CAN/ SMA 4,15m 2 x 0,82mm SJ 18/2	1
6	2 600 703 018	Grommet Ø7,3-Ø8,6x76 MM	1
9	2 601 112 883	Manufacturer's nameplate OS50VC	1
14	1 619 P00 290	groove ball bearing	1
16	2 604 337 003	Brush Holder	1
19	2 603 490 017	Torx Oval-Head Screw 3x10	1
20	2 601 111 477	Reference Plate	1
22	2 601 328 095	Suction Piece	1
23	2 916 640 006	Spring retaining ring DIN 471 9x1MM	1
24	2 600 590 013	Sealing disk	1
25	2 600 290 030	V-Ring	1
26	3 608 872 913	groove ball bearing	1
28	2 602 210 046	Eccentric	1
29	2 606 610 086	Fan	1
30	2 603 410 048	Thread-forming tap. Screw M4x8	1
31	2 600 290 036	Shaft Seal	1
32	2 600 500 019	Sealing Cover	1
34	2 600 009 026	Sander Plate	1
35	2 915 051 107	Hex Nut DIN 439-BM8-04	1
37	2 603 435 086	Tapping Screw	1
40	2 603 435 042	Thread-forming tap. Screw	1
42	2 604 465 115	Suppressor Box	1
43	2 603 203 041	Damping Element	1
44	1 607 233 557	Speed governor 110-127V	1
45	2 915 121 006	Square Nut DIN 562-M6-04	1
46	2 603 490 023	Torx Oval-Head Screw 4x20	1
47	2 605 500 208	Housing Cover	1
48	2 603 490 022	Screw 4x16	1
49	2 601 035 002	Pusher	1
50	2 601 328 054	Suction Socket	1
51	2 601 005 017	Felt Strip	1

**Spare parts list**

Item	Part Number	Description	Illustration
54	2 609 200 379	Tensioning Bracket	1
56	2 601 901 021	Lever	1
57	2 603 410 051	Thread-forming tap. Screw	1
58	2 600 100 713	Spring Washer	1
59	2 600 499 078	Guide Bushing	1
61	2 601 014 021	Pressure Bar	1
62	2 604 651 029	Coiled Spring	1
656	2 602 026 175	Auxiliary Handle BLACK	1
680	2 610 364 015	Hexagon Socket Screw Key 5 MM	1
803	2 604 011 953	Armature 110V	1
803/13	2 600 905 051	groove ball bearing 7x19x6	1
803/3/6	2 606 610 076	Fan	1
808	1 601 11A 21J	Nameplate	1
810	1 607 014 117	Carbon Brush	1
821	2 605 510 904	Suction Hood	1
833	2 608 005 902	Spring 4 PIECE	1
836	2 605 105 966	Motor Housing BLUE	1
852	2 601 099 902	Swing-Plate	1
655	2 605 411 234	Dust Chamber	2
657	2 608 190 030	Punching Tool	2

Illustration - Type - E

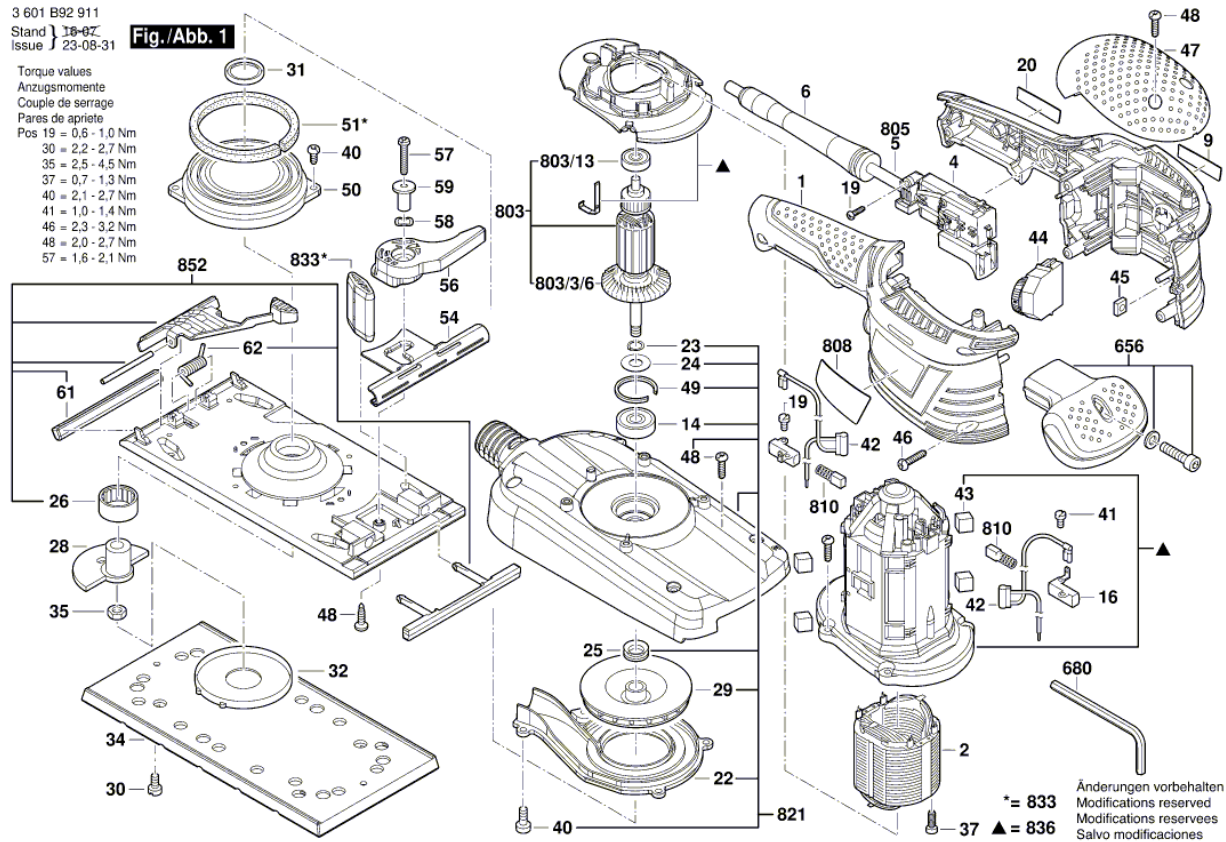
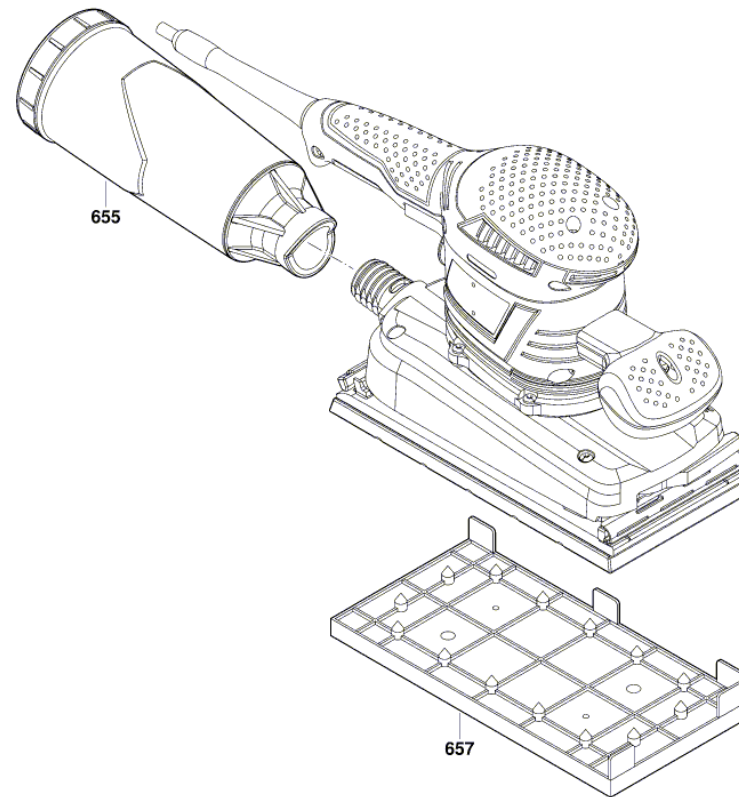


Illustration - Type - E

3 601 B92 911  
Stand } 16-04-06 Fig./Abb. 2  
Issue }



Änderungen vorbehalten  
Modifications reserved  
Modifications reserves  
Salvo modificaciones