

Gasoline containing up to 10% ethanol (E10) is acceptable for use in this machine. The use of any gasoline exceeding 10% ethanol (E10) will void the product warranty.

Parts Manual

P-ZT4822 / 966613301

P-ZT5224 / 966613401

P-ZT6126 / 966613501

P-ZT6128BS / 966613601

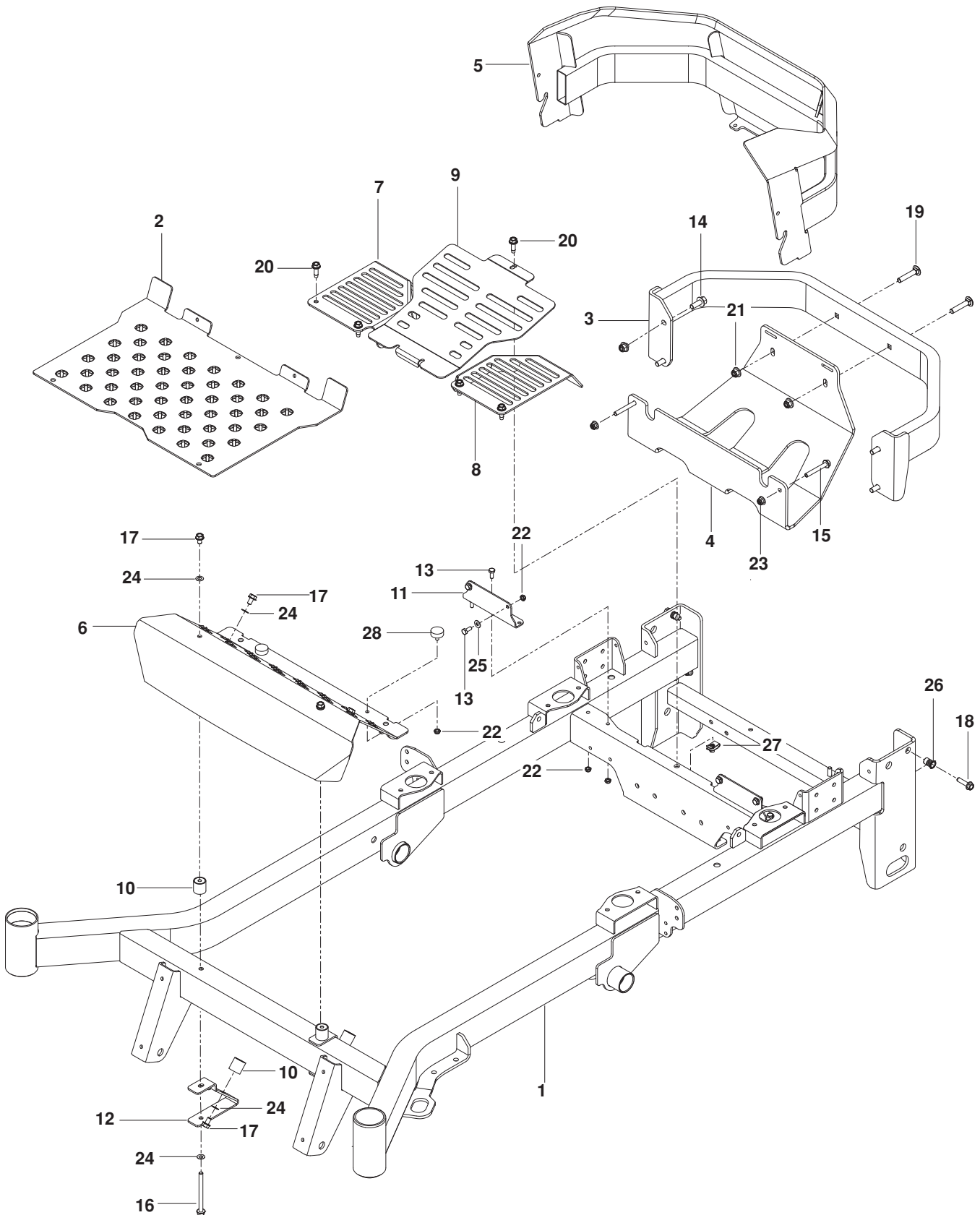
P-ZT26 BF / 966613701

P-ZT4822 CARB / 966663801



Please read the operator's manual carefully and make sure you understand the instructions before using the machine.

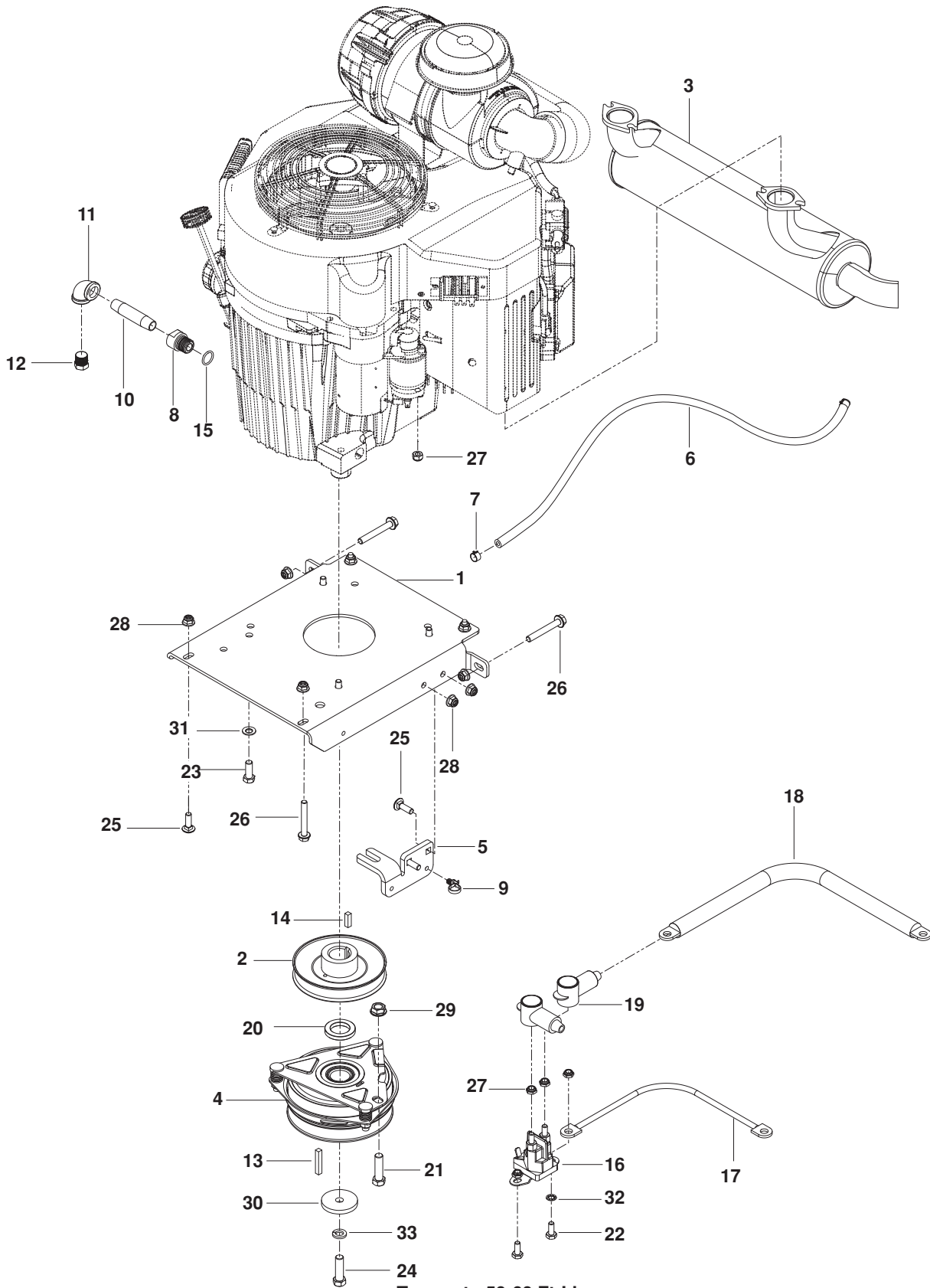
FRAME



FRAME

ITEM	PART NO.	QTY.	DESCRIPTION	ITEM	PART NO.	QTY.	DESCRIPTION
1..	574 482801.....	1..	FRAME w/ SFTY DECAL ORG	15..	574 233801.....	2..	HHFS $\frac{5}{16}$ -18 x 2 $\frac{1}{4}$ HEX FLG
2..	576 701302.....	1..	FLOOR PAN ORG	16..	539 131780.....	2..	HHFS $\frac{5}{16}$ -18 x 3 $\frac{3}{4}$ HEX FLG
3..	522 738902.....	1..	BUMPER, REAR ORG	17..	539 990858.....	6..	SCREW $\frac{5}{16}$ -18 x $\frac{1}{2}$ SLF TAP
4..	576 701402.....	1..	PLATE, SKID GRV	18..	525 544001.....	2..	HHFS $\frac{5}{16}$ -18 x 1 $\frac{1}{4}$ TPBLT
5..	574 433002.....	1..	GUARD, REAR GRV	19..	539 100145.....	2..	RHSNB $\frac{3}{8}$ -16 x 2
6..	574 215702.....	1..	FOOTREST ORG	20..	539 113226.....	5..	BOLT $\frac{5}{16}$ -18 x 1 THD FRM
7..	576 701502.....	1..	COVER, FAN RT BLK	21..	521 996501.....	2..	NUT $\frac{3}{8}$ -16 HEX FLG NYLOC
8..	576 701602.....	1..	COVER, FAN LT BLK	22..	539 108120....	10..	NUT $\frac{1}{4}$ -20 HEX THIN NYLOC
9..	576 701702.....	1..	COVER, CENTER BLK	23..	539 112899.....	2..	NUT $\frac{5}{16}$ -18 HEX FLG NYLOC
10..	510 083201.....	4..	MOUNT, F/F INSERT	24..	539 109600.....	8..	WASHER $\frac{5}{16}$ DISC SPRING
11..	576 453602.....	2..	MOUNT, TANK BLK	25..	539 990055.....	4..	WASHER $\frac{1}{4}$ SAE FLAT
12..	510 040301.....	2..	BRACKET, REST MOUNT	26..	539 111028.....	2..	NUTSERT $\frac{5}{16}$ -18
13..	539 990072.....	8..	HCS $\frac{1}{4}$ -20 X $\frac{5}{8}$	27..	539 104763.....	1..	RETAINER, U TYPE
14..	525 612801.....	4..	HHFS $\frac{3}{8}$ -16 x 1 HEX FLG	28..	575 811501.....	2..	BUMPER

ENGINE PLATE

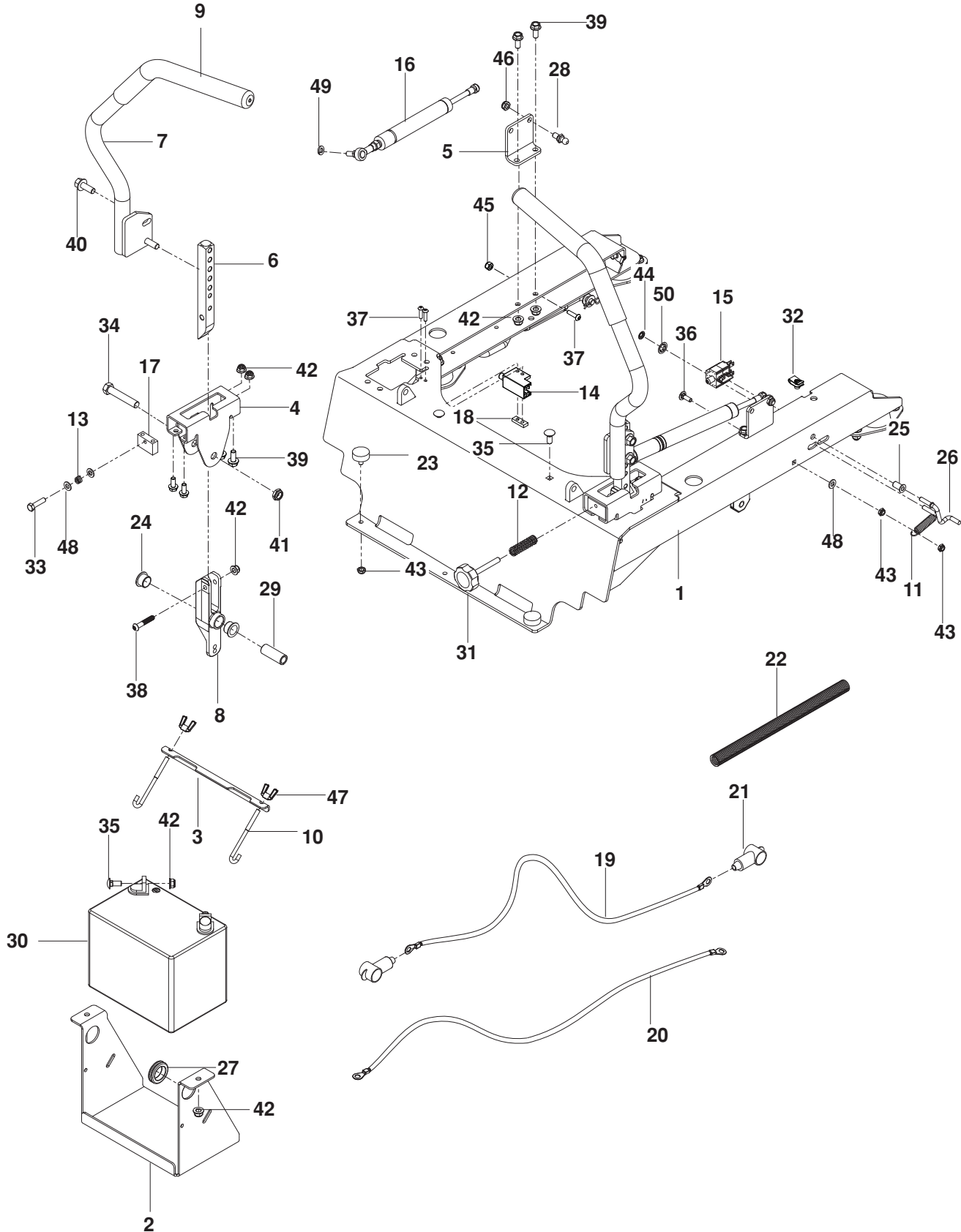


Torque to 50-60 Ft-Lbs

ENGINE PLATE

ITEM	PART NO.	QTY.	DESCRIPTION	ITEM	PART NO.	QTY.	DESCRIPTION
1..	510 004602.....	1..	PLATE, ENGINE BLK	19..	539 102759.....	2..	INSULATOR
2..	510 019801.....	1..	PULLEY, ENGINE	20..	525 313901.....	1..	SPACER
3..	525 750201.....	1..	MUFFLER	21..	539 104867.....	1..	HCS 7/16-14 x 1 1/4 HEX NYLOC
4..	539 113437.....	1..	CLUTCH, GT 3.5	22..	539 990072.....	2..	HCS 1/4-20 x 5/8
5..	522 676702.....	1..	STOP, CLUTCH	23..	539 990563.....	4..	HCS 3/8-16 x 1 HEX NYLOC
6..	539 105526.....	1..	FUEL LINE 18"	24..	539 100141.....	1..	HCS 7/16-20 x 1 1/2 HEX NYLOC
7..	539 912222.....	2..	CLAMP	25..	539 990208.....	4..	RHSNB 5/16-18 x 1
8..	539 119680.....	1..	ADAPTOR, OIL DRAIN	26..	574 233801.....	3..	HHFS 5/16-18 x 2 1/4 HEX FLG
9..	505 280001.....	1..	TIE WRAP w/ CLIP	27..	539 108120.....	5..	NUT 1/4-20 HEX THIN NYLOC
10..	539 118911.....	1..	PIPE 3/8 NPT x 3"	28..	539 112899.....	8..	NUT 5/16-18 HEX FLG NYLOC
11..	539 105072.....	1..	ELBOW 90°	29..	539 102582.....	1..	NUT 7/16-14 HEX WHIZ LK
12..	522 837001.....	1..	PLUG 3/8 NPTF DRAIN	30..	539 125626.....	1..	WASHER, BLADE
13..	539 910210.....	1..	KEY 1/4 SQ x 2	31..	539 102593.....	4..	WASHER 3/8 SPRING
14..	539 105308.....	1..	KEY 1/4 SQ x 1	32..	539 990053.....	1..	WASHER 1/4 INT TOOTH LK
15..	539 109618.....	1..	O-RING	33..	539 990247.....	1..	WASHER 7/16 SLW
16..	539 101714.....	1..	SOLENOID	NOT SHOWN			
17..	539 105409.....	1..	GROUND WIRE	525 554201.....	1..	ENGINE HARNESS, KAW	
18..	539 102757.....	1..	CABLE, POSITIVE				

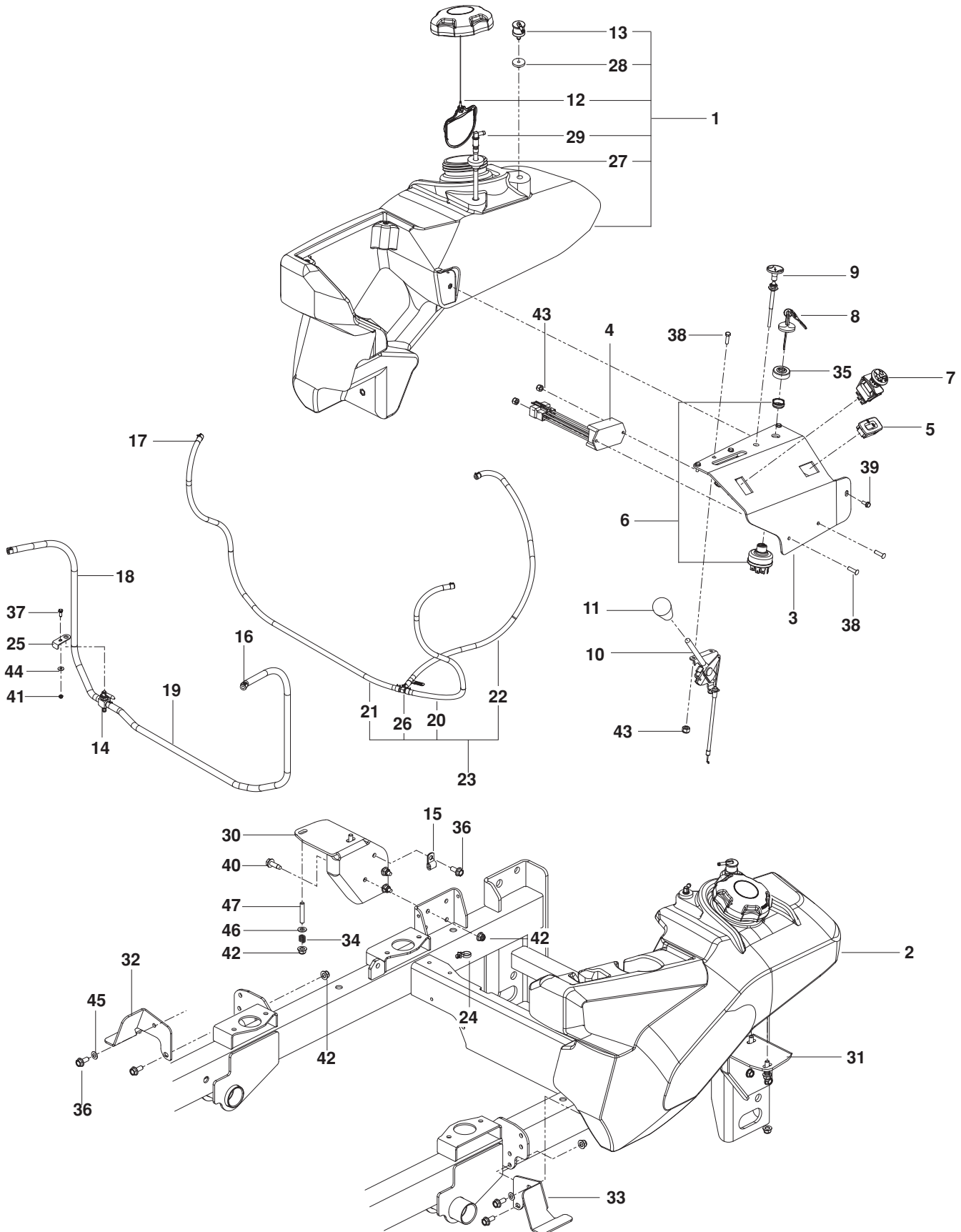
STEERING



STEERING

ITEM	PART NO.	QTY.	DESCRIPTION	ITEM	PART NO.	QTY.	DESCRIPTION
1..	577 327702.....	1..	FRAME, SEAT MOUNT ORG	27..	539 105974.....	1..	GROMMET
2..	510 029902.....	1..	BRACKET, BATTERY BLK	28..	539 110607.....	2..	BALL STUD 10MM
3..	510 030001.....	1..	BRACKET, BATTERY MOUNT	29..	577 252401.....	2..	SPACER, PIVOT
4..	577 251701.....	2..	BRACKET, CONTROL	30..	539 102436.....	1..	BATTERY
5..	577 265801.....	2..	BRACKET, DAMPENER	31..	539 131799.....	1..	KNOB
6..	574 269401.....	2..	LEVER, MOTION	32..	539 104763.....	4..	RETAINER, U TYPE
7..	577 042403.....	1..	LEVER, w/ GRIP, RT	33..	539 100469.....	1..	HCS $\frac{5}{16}$ -18 x $1\frac{1}{4}$ TPBLT
	577 042303.....	1..	LEVER, w/ GRIP, LT	34..	539 101332.....	2..	HCS $\frac{1}{2}$ -13 x $2\frac{3}{4}$
8..	576 140302.....	2..	LEVER, CONTROL	35..	539 990316.....	4..	RHSNB $\frac{5}{16}$ -18 x $\frac{3}{4}$
9..	539 130894.....	2..	GRIP, LEVER	36..	539 990074.....	1..	RHSNB $\frac{1}{4}$ -20 x $\frac{3}{4}$ GR2
10..	510 064001.....	2..	J HOOK	37..	574 822701.....	6..	SCREW 10-24 x $\frac{3}{4}$ SKT HD
11..	539 020035.....	1..	SPRING	38..	576 850402.....	2..	SCREW $\frac{5}{16}$ -18 x $1\frac{3}{4}$ BTN HD
12..	576 850301.....	1..	SPRING	39..	525 464701.....	12..	HHFS $\frac{5}{16}$ -18 x $\frac{3}{4}$ HEX FLG
13..	539 102845.....	1..	SPRING	40..	525 612801.....	4..	HHFS $\frac{3}{8}$ -16 x 1 HEX FLG
14..	539 101080.....	2..	SWITCH N.C.	41..	539 108010.....	2..	NUT $\frac{1}{2}$ -13 HEX JAM NYL GR2
15..	539 113792.....	1..	SWITCH, BRAKE (3-POLE)	42..	539 112899.....	14..	NUT $\frac{5}{16}$ -18 HEX FLG NYLOC
16..	516 020301.....	2..	DAMPENER ASSY	43..	539 108120.....	4..	NUT $\frac{1}{4}$ -20 HEX THIN NYLOC
17..	577 251801.....	2..	BLOCK, TRACKING	44..	539 102234.....	1..	NUT $\frac{1}{4}$ PUSH
18..	539 131519.....	2..	PLATE, TAPPED	45..	539 976977.....	2..	NUT 10-24 HEX NYLOC
19..	522 718701.....	1..	CABLE, POSITIVE	46..	539 990717.....	2..	NUT $\frac{5}{16}$ -18 HEX NYLOC
20..	522 710701.....	1..	CABLE, NEGATIVE	47..	539 990997.....	2..	WINGNUT $\frac{1}{4}$ -20 NYLOC
21..	539 102759.....	2..	INSULATOR	48..	539 990188.....	4..	WASHER $\frac{5}{16}$ SAE FLAT
22..	574 235301.....	1..	LOOM $\frac{5}{8}$ SPLIT	49..	539 990187.....	2..	WASHER $\frac{5}{16}$ SLW
23..	575 811501.....	2..	BUMPER	50..	539 913847.....	2..	RETAINER $\frac{3}{8}$ NUT
24..	539 131518.....	4..	BEARING, FLANGE				NOT SHOWN
25..	511 594901.....	1..	BUSHING $\frac{1}{4}$ FLANGE		510 093601.....	1..	HARNESS, MAIN WIRING
26..	511 595001.....	1..	LINK, SWITCH				

IGNITION SYSTEM



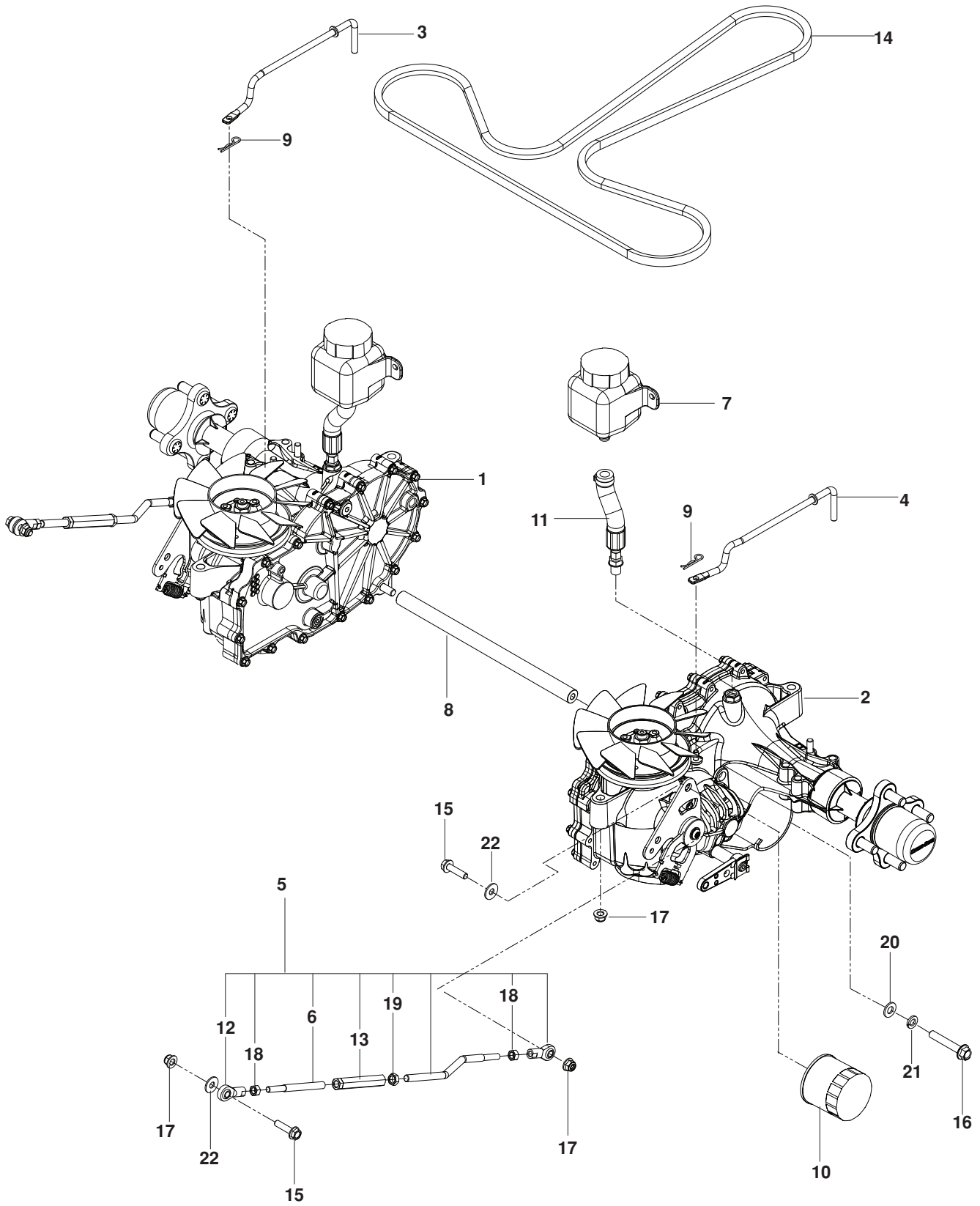
IGNITION SYSTEM

ITEM	PART NO.	QTY.	DESCRIPTION	ITEM	PART NO.	QTY.	DESCRIPTION
1..	576 369202.....	1..	TANK ASSY, RT	25..	577 104002.....	1..	BRACKET, VALVE
2..	576 369102.....	1..	TANK ASSY, LT	26..	574 206602.....	1..	TEE ³ / ₁₆ FUEL LINE
3..	529 280202.....	1..	PANEL, CONTROL	27..	539 105245.....	2..	GROMMET, RUBBER
4..	574 514001.....	1..	TIMER, SEAT	28..	576 618201.....	2..	GROMMET, CHECK VALVE
5..	576 179401.....	1..	HOUR METER	29..	525 865401.....	2..	FITTING, FUEL
6..	574 455401.....	1..	SWITCH, IGNITION	30..	529 279603.....	1..	MOUNT, TANK RT RR
7..	539 131627.....	1..	SWITCH, PTO 10 AMP	31..	529 279703.....	1..	MOUNT, TANK LT RR
8..	574 455501.....	1..	KEY, IGNITION	32..	529 279903.....	1..	MOUNT, TANK RT FRT
9..	574 206901.....	1..	CABLE, CHOKE	33..	529 280003.....	1..	MOUNT, TANK LT FRT
10..	574 207001.....	1..	CABLE, THROTTLE	34..	539 102845.....	4..	SPRING, TANK MOUNT
11..	539 132624.....	1..	KNOB	35..	539 103178.....	1..	CAP, IGNITION SWITCH
12..	575 018101.....	2..	CAP w/ TETHER, FUEL	36..	525 464701.....	7..	HHFS ⁵ / ₁₆ -18 x ³ / ₄ HEX FLG
13..	576 618101.....	2..	VALVE, FUEL CHECK	37..	539 990580.....	1..	HCS ¹ / ₄ -20 x ³ / ₄
14..	539 102679.....	1..	VALVE, FUEL	38..	574 822701.....	4..	SCREW 10-24 x ³ / ₄ SKT HD
15..	539 109867.....	1..	CLAMP, DOUBLE TUBE	39..	539 114341.....	3..	SCREW 10-24 x ³ / ₈ SKT HD
16..	539 912222.....	4..	CLAMP	40..	539 113226.....	6..	BOLT ⁵ / ₁₆ -18 x 1 THD FRM
17..	575 436501.....	6..	CLAMP, HOSE	41..	539 108120.....	1..	NUT ¹ / ₄ -20 HEX THIN NYLOC
18..	577 103901.....	1..	LINE 22" FUEL	42..	539 112899.....	13..	NUT ⁵ / ₁₆ -18 HEX FLG NYLOC
19..	577 103902.....	1..	LINE 38" FUEL	43..	539 976977.....	4..	NUT 10-24 HEX NYLOC
20..	576 660603.....	1..	HOSE ³ / ₁₆ 21"	44..	539 990598.....	1..	WASHER ¹ / ₄ FLAT
21..	576 660601.....	1..	HOSE ³ / ₁₆ 39"	45..	539 109600.....	4..	WASHER ⁵ / ₁₆ DISC SPRING
22..	576 660604.....	1..	HOSE ³ / ₁₆ 30"	46..	539 990188.....	4..	WASHER ⁵ / ₁₆ SAE FLAT
23..	576 547701.....	1..	VAPOR LINE ASSY	47..	539 102502.....	4..	STUD, FUEL TANK
24..	505 280001.....	2..	TIE WRAP w/ CLIP				

PARKING BRAKE

ITEM	PART NO.	QTY.	DESCRIPTION	ITEM	PART NO.	QTY.	DESCRIPTION
1..	576 416301.....	1..	SHAFT, BRAKE	13..	539 110631.....	1..	ROLL PIN ⁵ / ₁₆ " DIA.
2..	576 416401.....	1..	ARM, RT BRAKE	14..	539 110303.....	2..	BOLT ⁵ / ₁₆ SHOULDER
3..	515 980002.....	1..	LEVER, BRAKE	15..	539 100413.....	3..	RHSNB ³ / ₈ -16 x 1 ¹ / ₄
4..	539 976526.....	1..	GRIP, LEVER	16..	539 923463.....	1..	HHFS ³ / ₈ -16 x 3 ¹ / ₄
5..	515 980301.....	1..	LINK, FOLLOWER	17..	539 200282.....	3..	NUT ³ / ₈ -16 HEX JAM NYLOC
6..	576 764001.....	2..	SPACER, SHAFT	18..	539 110943.....	2..	NUT ⁵ / ₁₆ -24 HEX NYLOC
7..	539 131518.....	2..	BEARING, FLANGE	19..	539 990223.....	2..	NUT ⁵ / ₁₆ -24 HEX
8..	539 976481.....	2..	YOKE	20..	539 115617.....	2..	NUT ⁵ / ₁₆ -18 HEX NYLOC
9..	522 705901.....	2..	PIN ³ / ₈ CLEVIS SPRING	21..	539 133007.....	2..	WASHER, WAVE
10..	576 459501.....	2..	LINKAGE, BRAKE	22..	525 490901.....	2..	WASHER, FRICTION
11..	575 229802.....	2..	BRACKET, BRAKE	23..	539 912063.....	1..	WASHER, CONE
12..	575 230301.....	1..	SPRING	24..	539 132161.....	6..	BUSHING, BRAKE

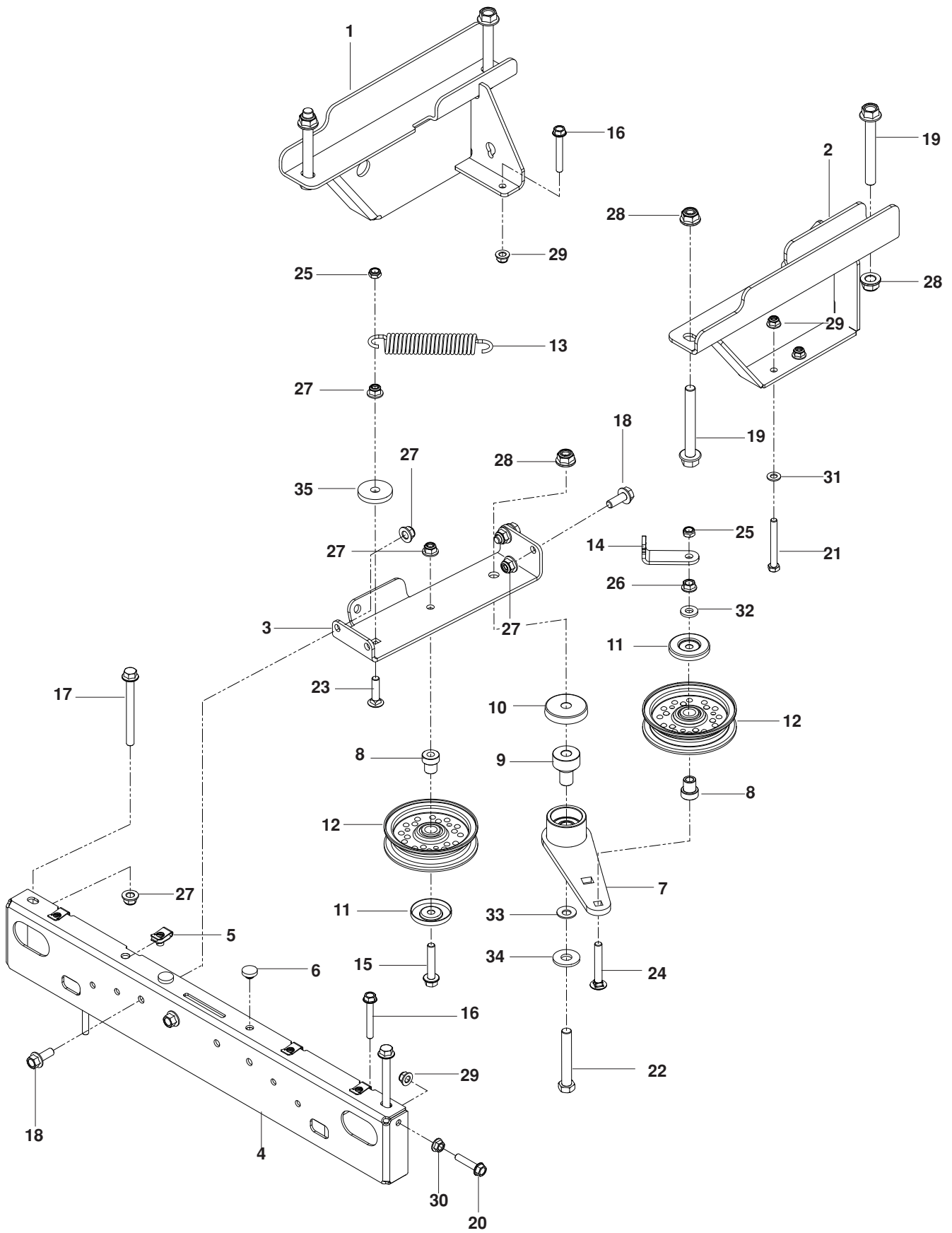
HYDRAULIC PUMP-MOTOR



HYDRAULIC PUMP-MOTOR

ITEM	PART NO.	QTY.	DESCRIPTION	ITEM	PART NO.	QTY.	DESCRIPTION
1..	574 569102.....	1..	TRANS, ZT-3400, RT	12..	539 102590.....	4..	BALL END, RT
2..	574 569101.....	1..	TRANS, ZT-3400, LT	13..	539 109149.....	2..	TURNBUCKLE 3/8
3..	539 131618.....	1..	LINKAGE, RT BYPASS	14..	576 667201.....	1..	BELT
4..	539 131616.....	1..	LINKAGE, LT BYPASS	15..	525 544001.....	4..	HHFS 5/16-18 x 1 1/4 TPBLT
5..	576 415701.....	2..	LINKAGE, CONTROL ASSY	16..	539 108551.....	4..	HCS 3/8-16 x 2 1/4 GR8
6..	522 559201.....	2..	LINKAGE, CONTROL FT	17..	539 112899.....	6..	NUT 5/16-18 HEX FLG NYLOC
7..	574 811301.....	2..	TANK, EXPANSION	18..	539 990223.....	4..	NUT 5/16-24 HEX
8..	576 422701.....	1..	SHAFT, TIE ROD	19..	539 108732.....	2..	NUT 3/8-24 HEX JAM
9..	539 976988.....	2..	HAIRPIN COTTER	20..	539 990122.....	2..	WASHER 3/8 SAE FLT
10..	539 113466.....	2..	FILTER, HYDRO	21..	539 990118.....	2..	WASHER 3/8 SPLT LK
11..	576 943701.....	2..	HOSE, EXPANSION	22..	539 990692.....	4..	WASHER 5/16 STD FLT

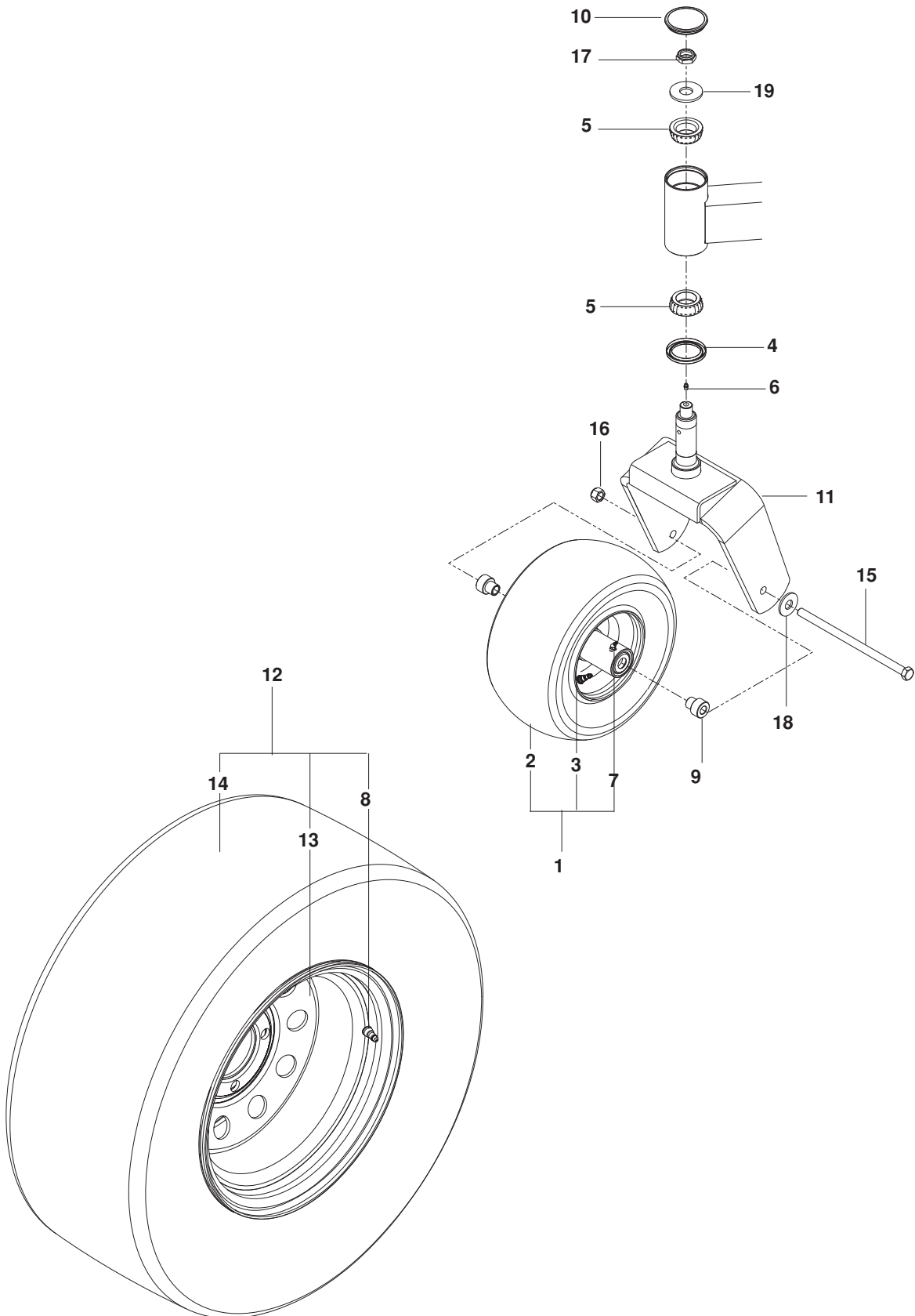
HYDRAULIC FRAME



HYDRAULIC FRAME

ITEM	PART NO.	QTY.	DESCRIPTION	ITEM	PART NO.	QTY.	DESCRIPTION
1..	576 415802.....	1..	MOUNT, TRANS RT BLK	19..	525 544801.....	4..	HHFS 1/2-13 x 4 GR 8
2..	576 415902.....	1..	MOUNT, TRANS LT BLK	20..	525 465401.....	4..	HHFS 5/16-18 x 1 1/2
3..	576 459902.....	1..	MOUNT, IDLER BLK	21..	539 101721.....	4..	HCS 5/16-18 x 2 3/4
4..	576 416203.....	1..	MOUNT, FT BLK	22..	539 103433.....	1..	HCS 1/2-13 x 3 1/4
5..	539 104763.....	4..	RETAINER, U TYPE	23..	539 109345.....	1..	RHSNB 3/8-16 x 1 1/2
6..	539 102587.....	2..	GROMMET, BUMPER	24..	539 128101.....	1..	BOLT 3/8-16 x 2 1/2 CARRIAGE
7..	510 041603.....	1..	ARM, IDLER w/ BEARINGS	25..	539 200282.....	2..	NUT 3/8-16 HEX JAM NYLOC
8..	525 435601.....	2..	PIVOT, IDLER	26..	539 990613.....	1..	NUT 3/8-16 HEX WHIZLK
9..	510 206301.....	1..	PIVOT, BEARING	27..	521 996501.....	8..	NUT 3/8-16 HEX FLG NYLOC
10..	539 114662.....	1..	SHIELD, DUST	28..	521 991101.....	5..	NUT 1/2-13 HEX FLG NYLOC
11..	510 254501.....	2..	SHIELD, DUST	29..	539 112899.....	3..	NUT 5/16-18 HEX FLG NYLOC
12..	539 976688.....	2..	PULLEY, IDLER	30..	539 990585.....	1..	NUT 5/16-18 HEX WHIZLK
13..	575 470901.....	1..	SPRING, EXTENSION	31..	539 990188.....	4..	WASHER 5/16 SAE FLAT
14..	576 459801.....	1..	BRACKET, SPRING	32..	522 023401.....	1..	WASHER 3/8 THICK
15..	525 866201.....	1..	HHFS 3/8-16 x 2	33..	539 115528.....	1..	WASHER 1/2 BELLEVILLE
16..	574 233801.....	4..	HHFS 5/16-18 x 2 1/4 HEX FLG	34..	539 109554.....	1..	WASHER 1/2 FLAT
17..	521 996601.....	2..	HHFS 3/8-16 x 4	35..	539 106504.....	1..	WASHER, HEAVY
18..	525 612801.....	4..	HHFS 3/8-16 x 1				

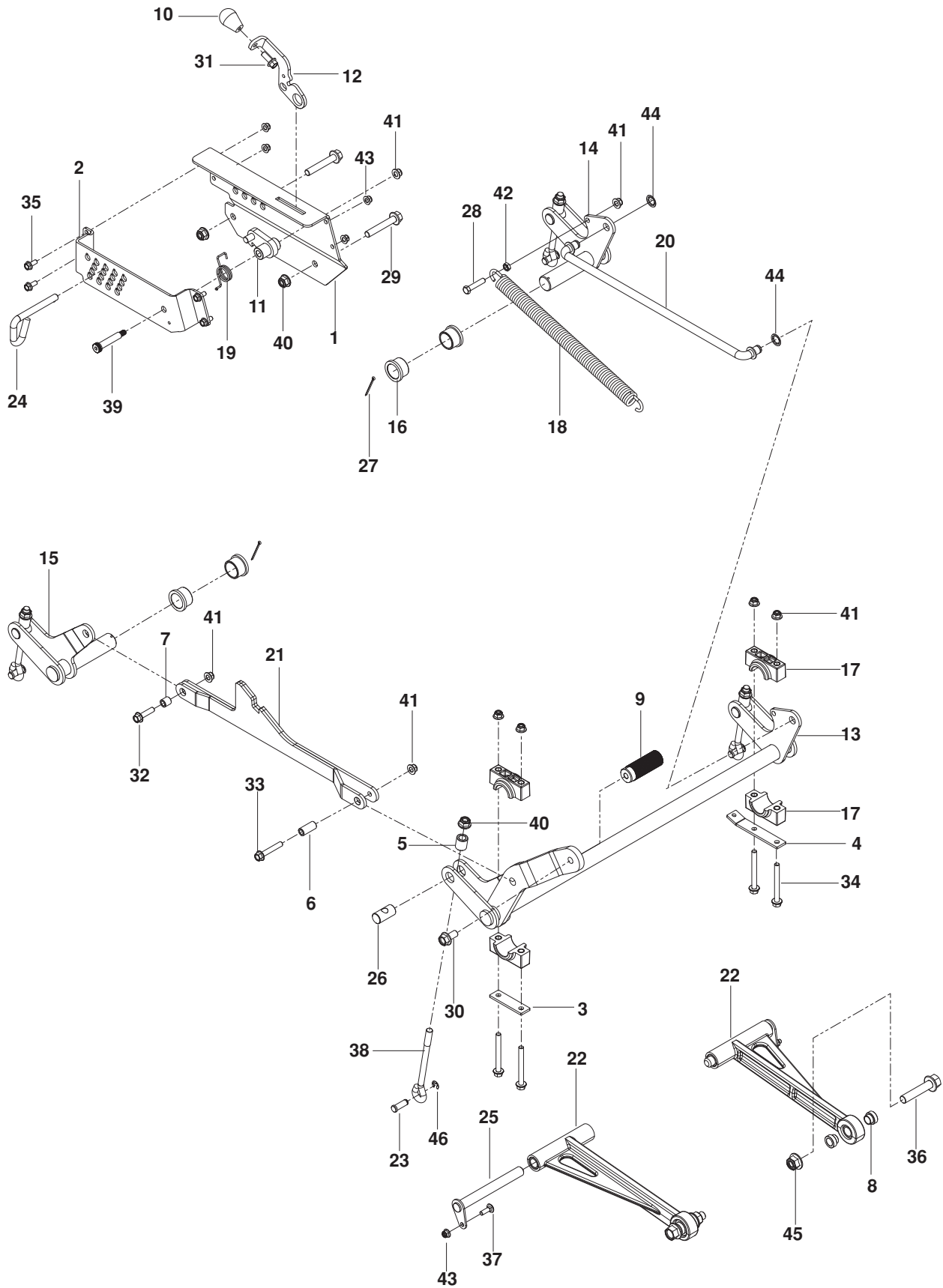
WHEELS AND TIRES



WHEELS AND TIRES

ITEM	PART NO.	QTY.	DESCRIPTION	ITEM	PART NO.	QTY.	DESCRIPTION
1..	539 105521.....	2..	TIRE ASSY 13 x 6.5	13..	522 905102.....	2..	RIM 12 x 1.125 NEG OFFSET
2..	539 105522.....	2..	TIRE		522 905002.....	2..	RIM 12 x 7 NEG OFFSET 966613301, 966663801
3..	539 105523.....	2..	RIM	14..	539 107431.....	2..	TIRE 23 x 10.5 TURF MASTER
4..	510 034301.....	2..	SEAL, BEARING		539 107432.....	2..	TIRE 23 x 8.5 4 PLY 966613301, 966663801
5..	510 034403.....	4..	CONE	15..	539 105517.....	2..	BOLT 1/2-13 x 9 1/2 HEX NYLOC
6..	539 101474.....	2..	ZERK	16..	521 991101.....	2..	NUT 1/2-13 HEX FLG NYLOC
7..	539 103300.....	2..	ZERK	17..	522 842601.....	2..	NUT 3/4-16 HEX THIN NYLOC
8..	539 912234.....	4..	STEM, VALVE	18..	539 990250.....	2..	WASHER 1/2 SAE
9..	539 105518.....	4..	SPACER, AXLE	19..	574 824701.....	2..	WASHER 3/4 HARDENED
10..	510 034001.....	2..	CAP, DUST				
11..	525 611902.....	2..	FORK, CASTER				
12..	522 905101.....	2..	TIRE ASSY 23 x 10.5				
	522 905001.....	2..	TIRE ASSY 23 x 8.5 966613301, 966663801				

MOWER LIFT / DECK LIFT

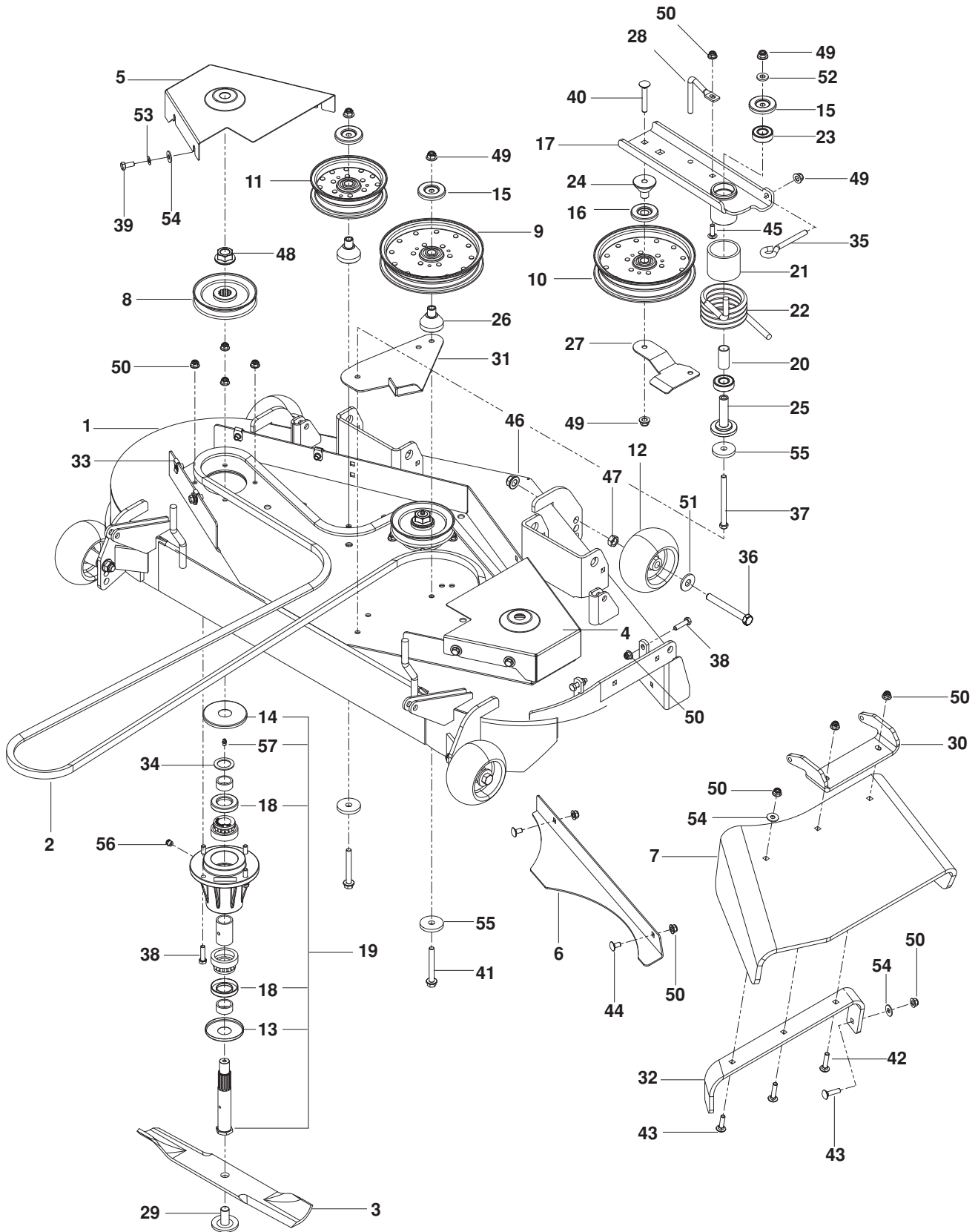


MOWER LIFT / DECK LIFT

ITEM	PART NO.	QTY.	DESCRIPTION	ITEM	PART NO.	QTY.	DESCRIPTION
1..	576 480002.....	1..	PLATE, HEIGHT, INNER ORG	24..	510 016501.....	1..	PIN, HEIGHT
2..	576 480102.....	1..	PLATE, HEIGHT, OUTER ORG	25..	515 988201.....	2..	PIN, STRUT
3..	525 822201.....	1..	PLATE, PILLOW BLOCK	26..	576 485601.....	4..	PIN, TRUNION
4..	576 646701.....	1..	PLATE, SPRING ANCHOR	27..	539 102889.....	2..	PIN 1/8 x 2 COTTER
5..	576 485801.....	4..	SPACER, EYEBOLT	28..	539 990730.....	1..	HCS 3/8-16 x 1 3/4
6..	576 623101.....	1..	SPACER, FRT LIFT STRAP	29..	525 828901.....	2..	HHFS 1/2-13 x 3
7..	576 623001.....	1..	SPACER, RR LIFT STRAP	30..	574 210601.....	1..	HHFS 1/2-13 x 1
8..	510 362501.....	4..	SPACER, STRUT	31..	525 612801.....	1..	HHFS 3/8-16 x 1
9..	510 408301.....	1..	PEDAL, DECK HEIGHT	32..	576 621601.....	1..	HHFS 3/8-16 x 1 1/2
10..	539 132624.....	1..	KNOB	33..	574 496901.....	1..	HHFS 3/8-16 x 2 1/4
11..	510 406801.....	1..	LATCH, TRANSPORT	34..	525 822101.....	4..	HHFS 3/8-16 x 3 1/2
12..	576 638901.....	1..	LEVER, RELEASE	35..	525 464701.....	4..	HHFS 5/16-18 x 3/4
13..	576 479201.....	1..	SHAFT, DECK LIFT FT	36..	525 829001.....	2..	HHFS 5/8-11 x 3 GD 8
14..	526 479901.....	1..	SHAFT, LIFT LT RR	37..	539 990208.....	2..	RHSNB 5/16-18 x 1
15..	526 479401.....	1..	SHAFT, LIFT RT RR	38..	576 479001.....	4..	EYEBOLT, DECK LIFT
16..	510 089401.....	4..	BUSHING, FLANGED	39..	516 035501.....	1..	BOLT 3/8-16 x 2 1/4 SHLDR
17..	510 023902.....	4..	BLOCK, PILLOW	40..	521 991101.....	6..	NUT 1/2-13 HEX FLG NYLOC
18..	576 676601.....	1..	SPRING, EXTENSION	41..	521 996501.....	8..	NUT 3/8-16 HEX FLG NYLOC
19..	510 376601.....	1..	SPRING, TORSION	42..	539 109332.....	1..	NUT 3/8-16 HEX JAM
20..	510 089801.....	1..	ROD, LIFT	43..	539 112899.....	6..	NUT 5/16-18 HEX FLG NYLOC
21..	576 622601.....	1..	STRAP, DECK	44..	539 109304.....	2..	NUT 5/8 PUSH
22..	510 106501.....	2..	STRUT ASSY	45..	525 829101.....	2..	NUT 5/8-11 FLG NYLOC
23..	510 090101.....	4..	PIN 7/16 CLEVIS	46..	522 705201.....	4..	E RING 7/16

MOWING DECK / CUTTING DECK

48" DECK

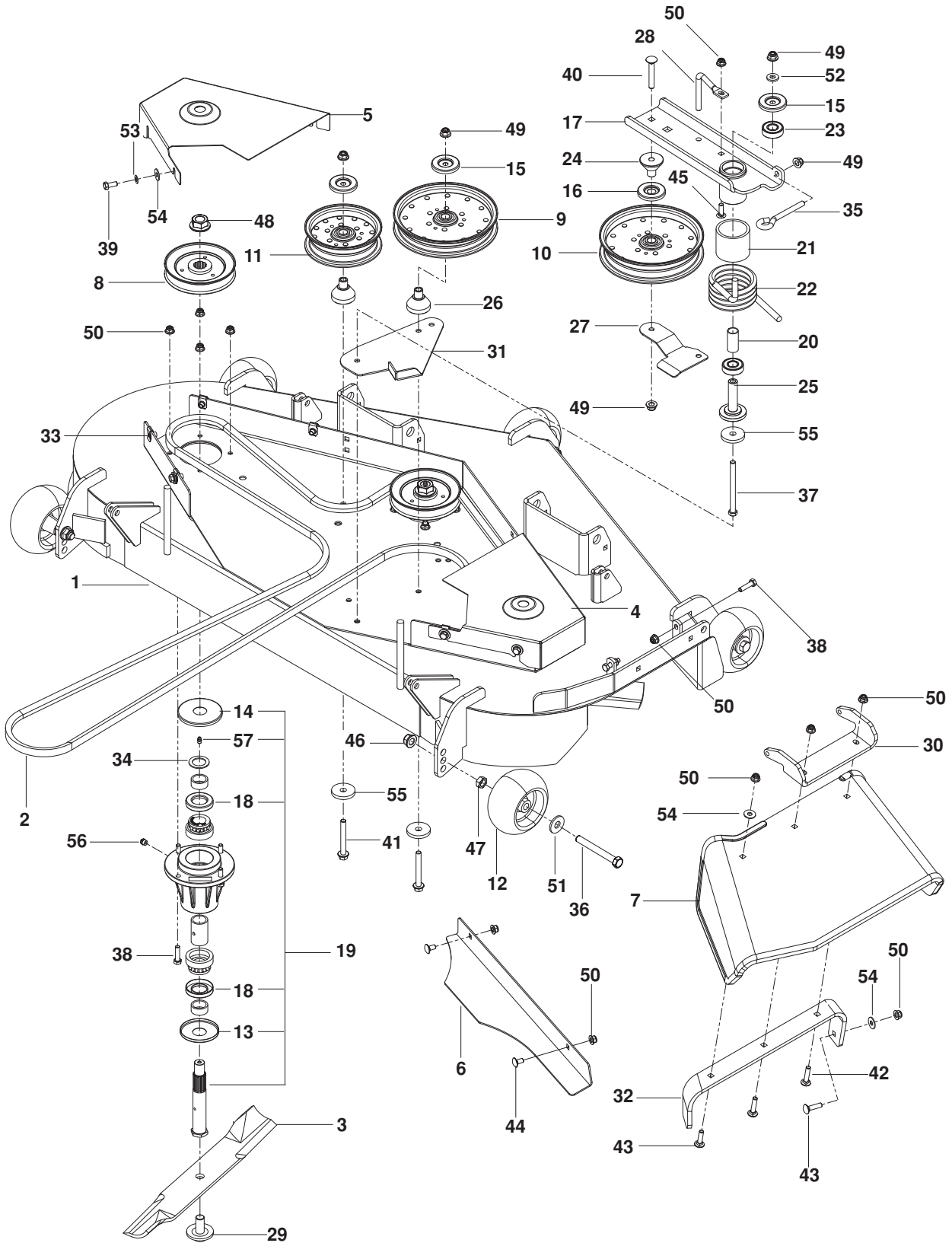


MOWING DECK / CUTTING DECK

ITEM	PART NO.	QTY.	DESCRIPTION	ITEM	PART NO.	QTY.	DESCRIPTION
1..	576 769201.....	1..	DECK w/ SFTY DECALS ORG	30..	539 130917.....	1..	BRACKET, PIVOT CHUTE
2..	576 479801.....	1..	BELT	31..	576 388702.....	1..	BRACKET, SPRING STOP BLK
3..	539 106040.....	3..	BLADE, 16¼"	32..	539 130920.....	1..	REINFORCEMENT, BRACKET
4..	539 113411.....	1..	BELT SHIELD , RT	33..	539 104763.....	8..	RETAINER, U TYPE
5..	539 113413.....	1..	BELT SHIELD, LT	34..	539 916561.....	3..	BUSHING 1" MACH 14 GA
6..	539 113427.....	1..	CONFINEMENT PLATE BLK	35..	574 202001.....	1..	EYE BOLT
7..	576 422501.....	1..	CHUTE, DISCHARGE	36..	539 108366.....	4..	HCS ½-13 x 4
8..	539 112141.....	3..	PULLEY	37..	539 101686.....	1..	HCS ¾-16 x 4½ GR 8
9..	510 015101.....	1..	PULLEY, IDLER 7"	38..	539 990627....	14..	HCS 5/16-18 x 1¼
10..	525 598201.....	1..	PULLEY, IDLER 7" NARROW	39..	539 976934.....	8..	HCS 5/16-18 x ¾
11..	539 103257.....	1..	PULLEY, IDLER	40..	539 128101.....	1..	BOLT ¾-16 x 2½ CARRIAGE
12..	539 107610.....	4..	WHEEL	41..	577 117701.....	2..	HHFS ¾-16 x 3
13..	539 108449.....	3..	DUST CAP, BOTTOM	42..	539 102933.....	2..	RHSNB 5/16-18 x 1½
14..	539 108450.....	3..	DUST CAP, TOP	43..	539 100472.....	2..	RHSNB 5/16-18 x 1¼
15..	510 254501.....	3..	SHIELD, DUST	44..	539 990799.....	2..	RHSNB 5/16-18 x 5/8
16..	510 262201.....	1..	SHIELD, DUST	45..	539 107271.....	1..	RHSNB 5/16-18 x 1
17..	525 464402.....	1..	ARM, IDLER BLK	46..	521 991101.....	4..	NUT ½-13 HEX FLG NYLOC
18..	539 108754.....	6..	SEAL, SHAFT	47..	539 990625.....	4..	NUT ½-13 HEX JAM
19..	539 131383.....	3..	HOUSING ASSY	48..	539 130653.....	3..	NUT ¾-16 FLANGE
20..	510 264201.....	1..	SPACER, IDLER BEARINGS	49..	521 996501.....	5..	NUT ¾-16 HEX FLG NYLOC
21..	525 465601.....	1..	SPACER, IDLER PIVOT	50..	539 112899....	21..	NUT 5/16-18 HEX FLG NYLOC
22..	525 310901.....	1..	SPRING, TORSION, IDLER	51..	539 109554.....	4..	WASHER ½ FLAT
23..	539 112050.....	1..	BEARING, BALL	52..	522 023401.....	1..	WASHER ¾ THICK
24..	510 263701.....	1..	BEARING, IDLER ARM	53..	539 109600.....	8..	WASHER 5/16 DISC SPRING
25..	522 729701.....	1..	BEARING, IDLER PIVOT	54..	539 990692....	10..	WASHER 5/16 STD FLT
26..	577 073401.....	4..	BEARING, IDLER STANDOFF	55..	539 106504.....	3..	WASHER, HEAVY
27..	574 262102.....	1..	BELT GUIDE, BLK	56..	539 977326.....	3..	POPPET, GREASE
28..	574 262201.....	1..	BELT KEEPER	57..	539 101474.....	3..	ZERK
29..	539 119007.....	3..	BLADE BOLT				

MOWING DECK / CUTTING DECK

52" DECK

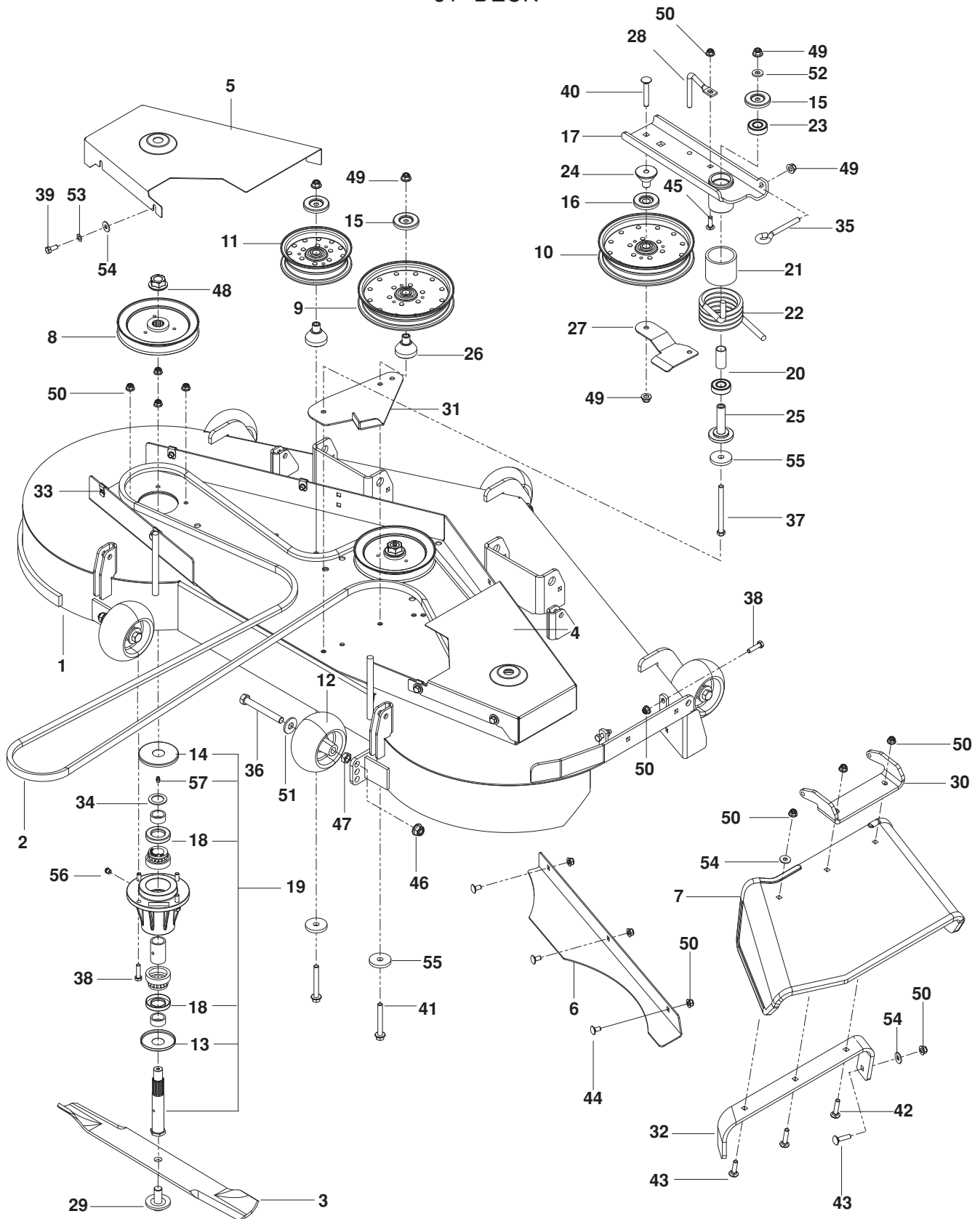


MOWING DECK / CUTTING DECK

ITEM	PART NO.	QTY.	DESCRIPTION	ITEM	PART NO.	QTY.	DESCRIPTION
1..	576 769202.....	1..	DECK w/ SFTY DECALS ORG	30..	539 130917.....	1..	BRACKET, PIVOT CHUTE
2..	576 479802.....	1..	BELT	31..	576 388702.....	1..	BRACKET, SPRING STOP BLK
3..	539 105712.....	3..	BLADE, 18"	32..	539 130920.....	1..	REINFORCEMENT, BRACKET
4..	521 969403.....	1..	BELT SHIELD, RT	33..	539 104763.....	8..	RETAINER, U TYPE
5..	521 969503.....	1..	BELT SHIELD, LT	34..	539 916561.....	3..	BUSHING 1" MACH 14 GA
6..	539 112417.....	1..	CONFINEMENT PLATE BLK	35..	574 202001.....	1..	EYE BOLT
7..	539 130901.....	1..	CHUTE, DISCHARGE	36..	539 108366.....	4..	HCS 1/2-13 x 4
8..	539 112124.....	3..	PULLEY	37..	539 101686.....	1..	HCS 3/8-16 x 4 1/2 GR 8 ZD
9..	510 015101.....	1..	PULLEY, IDLER 7"	38..	539 990627....	14..	HCS 5/16-18 x 1 1/4
10..	525 598201.....	1..	PULLEY, IDLER 7" NARROW	39..	539 976934.....	8..	HCS 5/16-18 x 3/4
11..	539 103257.....	1..	PULLEY, IDLER	40..	539 128101.....	1..	BOLT 3/8-16 x 2 1/2 CARRIAGE
12..	539 107610.....	5..	WHEEL	41..	577 117701.....	2..	HHFS 3/8-16 x 3
13..	539 108449.....	3..	DUST CAP, BOTTOM	42..	539 102933.....	2..	RHSNB 5/16-18 x 1 1/2
14..	539 108450.....	3..	DUST CAP, TOP	43..	539 100472.....	2..	RHSNB 5/16-18 x 1 1/4
15..	510 254501.....	3..	SHIELD, DUST	44..	539 990799.....	2..	RHSNB 5/16-18 x 5/8
16..	510 262201.....	1..	SHIELD, DUST	45..	539 107271.....	1..	RHSNB 5/16-18 x 1
17..	525 464402.....	1..	ARM, IDLER BLK	46..	521 991101.....	5..	NUT 1/2-13 HEX FLG NYLOC
18..	539 108754.....	6..	SEAL, SHAFT	47..	539 990625.....	5..	NUT 1/2-13 HEX JAM
19..	539 131383.....	3..	HOUSING ASSY	48..	539 130653.....	3..	NUT 3/4-16 FLANGE
20..	510 264201.....	1..	SPACER, IDLER BEARINGS	49..	521 996501.....	5..	NUT 3/8-16 HEX FLG NYLOC
21..	525 465601.....	1..	SPACER, IDLER PIVOT	50..	539 112899....	21..	NUT 5/16-18 HEX FLG NYLOC
22..	525 310901.....	1..	SPRING, TORSION, IDLER	51..	539 109554.....	5..	WASHER 1/2 FLAT
23..	539 112050.....	1..	BEARING, BALL	52..	522 023401.....	1..	WASHER 3/8 THICK
24..	510 263701.....	1..	BEARING, IDLER ARM	53..	539 109600.....	8..	WASHER 5/16 DISC SPRING
25..	522 729701.....	1..	BEARING, IDLER PIVOT	54..	539 990692....	10..	WASHER 5/16 STD FLT
26..	577 073401.....	4..	BEARING, IDLER STANDOFF	55..	539 106504.....	3..	WASHER, HEAVY
27..	574 262102.....	1..	BELT GUIDE, BLK	56..	539 977326.....	3..	POPPET, GREASE
28..	574 262201.....	1..	BELT KEEPER	57..	539 101474.....	3..	ZERK
29..	539 119007.....	3..	BLADE BOLT				

MOWING DECK / CUTTING DECK

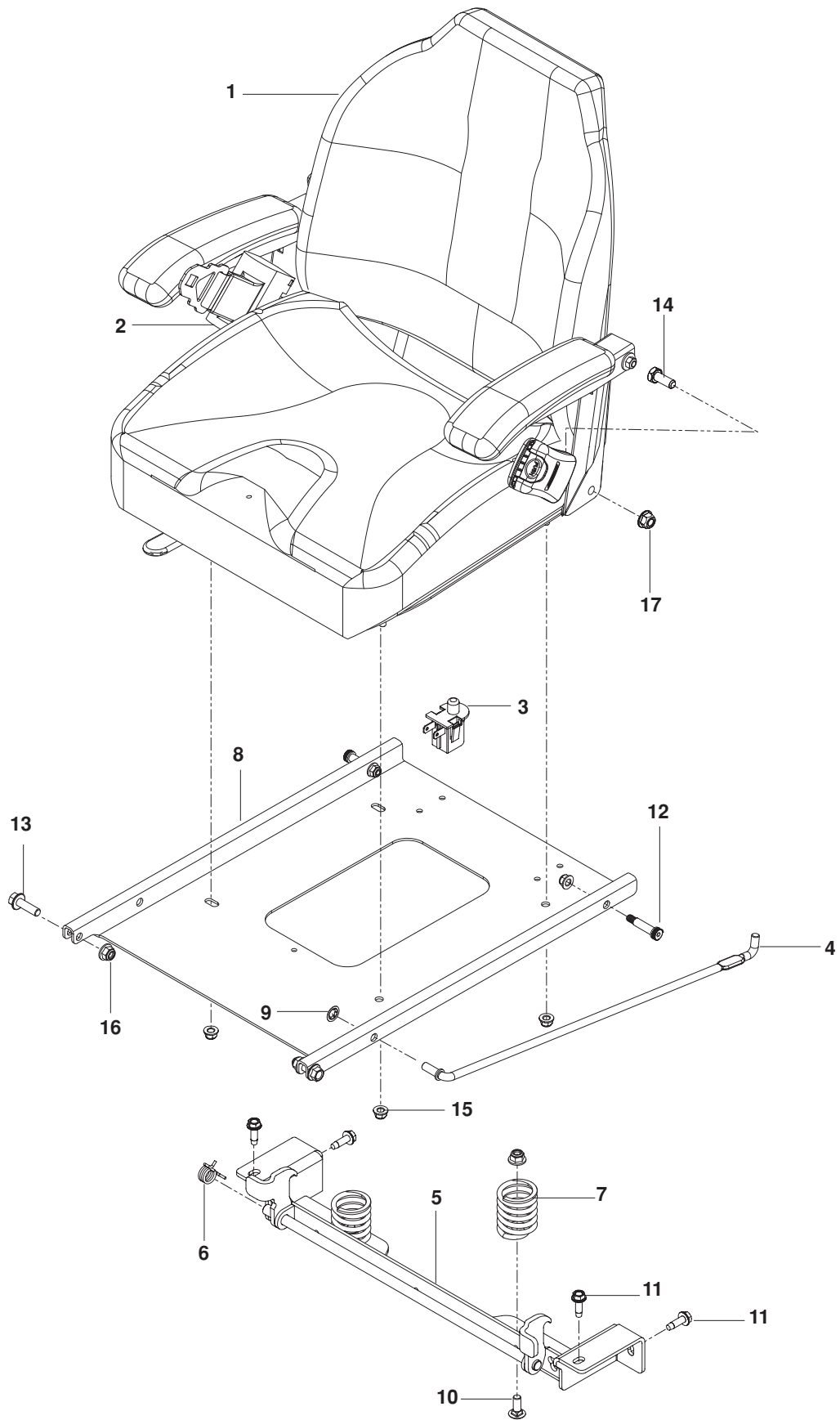
61" DECK



MOWING DECK / CUTTING DECK

ITEM	PART NO.	QTY.	DESCRIPTION	ITEM	PART NO.	QTY.	DESCRIPTION
1..	576 769203.....	1..	DECK w/ SFTY DECALS ORG	30..	539 130917.....	1..	BRACKET, PIVOT CHUTE
2..	576 479803.....	1..	BELT	31..	576 388702.....	1..	BRACKET, SPRING STOP BLK
3..	539 105711.....	3..	BLADE, 21"	32..	539 130920.....	1..	REINFORCEMENT, BRACKET
4..	521 970103.....	1..	BELT SHIELD, RT	33..	539 104763.....	8..	RETAINER, U TYPE
5..	521 970203.....	1..	BELT SHIELD, LT	34..	539 916561.....	3..	BUSHING 1" MACH 14 GA
6..	539 113317.....	1..	CONFINEMENT PLATE BLK	35..	574 202001.....	1..	EYE BOLT
7..	539 130901.....	1..	CHUTE, DISCHARGE	36..	539 108366.....	4..	HCS ½-13 x 4
8..	539 112125.....	3..	PULLEY	37..	539 101686.....	1..	HCS ¾-16 x 4½ GR 8 ZD
9..	510 015101.....	1..	PULLEY, IDLER 7"	38..	539 990627....	14..	HCS 5/16-18 x 1¼
10..	525 598201.....	1..	PULLEY, IDLER 7" NARROW	39..	539 976934.....	8..	HCS 5/16-18 x ¾
11..	539 103257.....	1..	PULLEY, IDLER	40..	539 128101.....	1..	BOLT ¾-16 x 2½ CARRIAGE
12..	539 107610.....	5..	WHEEL, GAUGE	41..	577 117701.....	2..	HHFS ¾-16 x 3
13..	539 108449.....	3..	DUST CAP, BOTTOM	42..	539 102933.....	2..	RHSNB 5/16-18 x 1½
14..	539 108450.....	3..	DUST CAP, TOP	43..	539 100472.....	2..	RHSNB 5/16-18 x 1¼
15..	510 254501.....	3..	SHIELD, DUST	44..	539 990799.....	3..	RHSNB 5/16-18 x 5/8
16..	510 262201.....	1..	SHIELD, DUST	45..	539 107271.....	1..	RHSNB 5/16-18 x 1
17..	525 464402.....	1..	ARM, IDLER BLK	46..	521 991101.....	5..	NUT ½-13 HEX FLG NYLOC
18..	539 108754.....	6..	SEAL, SHAFT	47..	539 990625.....	5..	NUT ½-13 HEX JAM
19..	539 131383.....	3..	HOUSING ASSY	48..	539 130653.....	3..	NUT ¾-16 FLANGE
20..	510 264201.....	1..	SPACER, IDLER BEARINGS	49..	521 996501.....	5..	NUT ¾-16 HEX FLG NYLOC
21..	525 465601.....	1..	SPACER, IDLER PIVOT	50..	539 112899....	22..	NUT 5/16-18 HEX FLG NYLOC
22..	525 310901.....	1..	SPRING, TORSION, IDLER	51..	539 109554.....	5..	WASHER ½ FLAT
23..	539 112050.....	1..	BEARING, BALL	52..	522 023401.....	1..	WASHER ¾ THICK
24..	510 263701.....	1..	BEARING, IDLER ARM	53..	539 109600.....	8..	WASHER 5/16 DISC SPRING
25..	522 729701.....	1..	BEARING, IDLER PIVOT	54..	539 990692....	10..	WASHER 5/16 STD FLT
26..	577 073401.....	4..	BEARING, IDLER STANDOFF	55..	539 106504.....	3..	WASHER, HEAVY
27..	574 262102.....	1..	BELT GUIDE, BLK	56..	539 977326.....	3..	POPPET, GREASE
28..	574 262201.....	1..	BELT KEEPER	57..	539 101474.....	3..	ZERK
29..	539 119007.....	3..	BLADE BOLT				

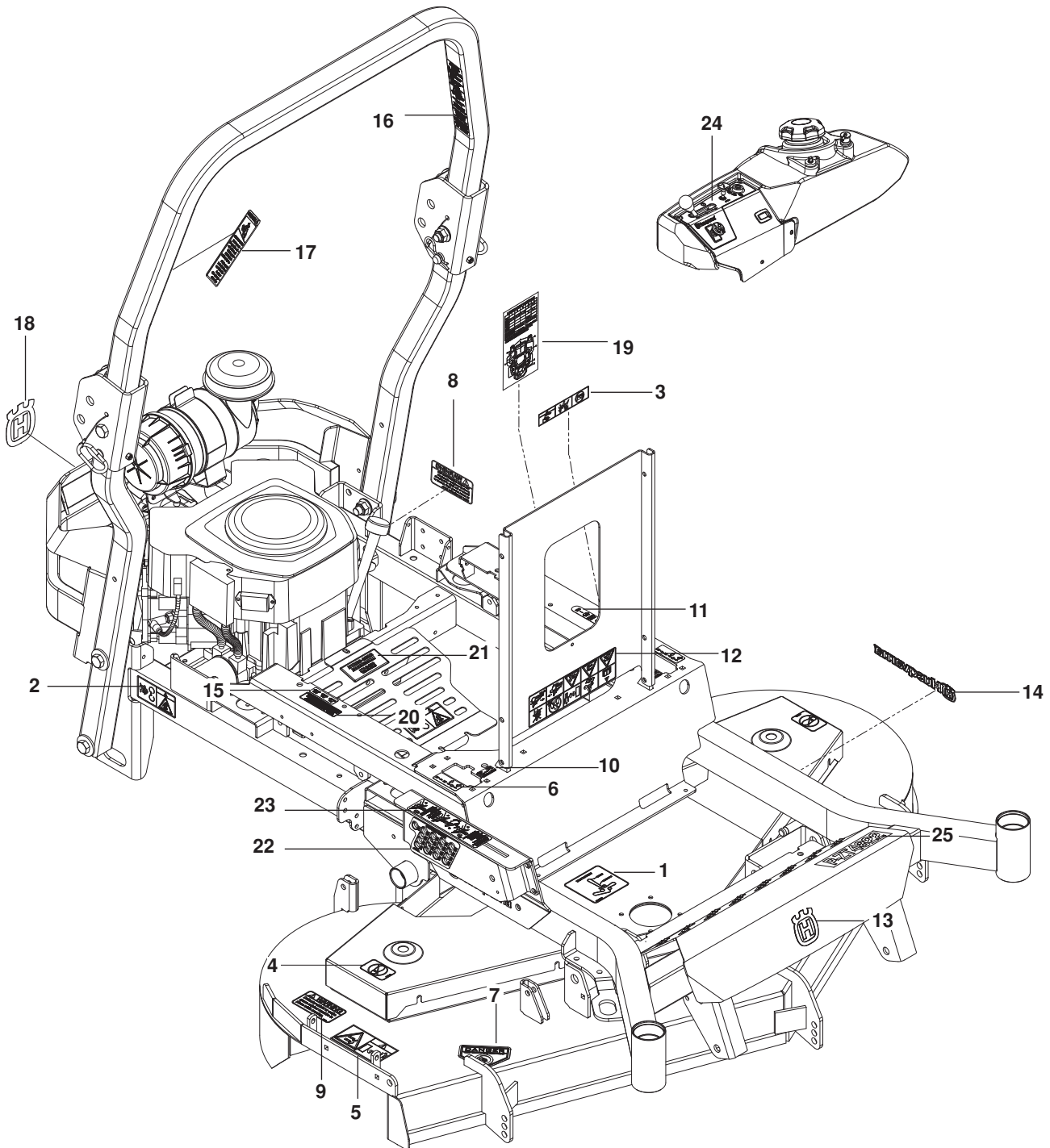
SEAT



SEAT

ITEM	PART NO.	QTY.	DESCRIPTION	ITEM	PART NO.	QTY.	DESCRIPTION
1..	576 702001.....	1..	SEAT ASSY	10..	539 990645.....	2..	RHSNB $\frac{3}{8}$ -16 x 1
2..	576 783401.....	1..	SEAT BELT ASSY	11..	539 113226.....	4..	BOLT $\frac{5}{16}$ -18 x 1 THD FRM
3..	539 119741.....	1..	SWITCH, SEAT	12..	515 990601.....	2..	BOLT $\frac{3}{8}$ x $1\frac{1}{4}$ $\frac{5}{16}$ -18 SHLDR
4..	510 064101.....	1..	ROD, SEAT	13..	525 834201.....	2..	HHFS $\frac{3}{8}$ -16 x $1\frac{1}{4}$
5..	574 182202.....	1..	LATCH, SEAT	14..	539 100143.....	2..	HCS $\frac{7}{16}$ -14 x 1
6..	520 283101.....	1..	SPRING, TORSION	15..	539 112899.....	6..	NUT $\frac{5}{16}$ -18 HEX FLG NYLOC
7..	539 110300.....	2..	SPRING, SEAT	16..	521 996501.....	2..	NUT $\frac{3}{8}$ -16 HEX FLG NYLOC
8..	510 039302.....	1..	PAN, SEAT	17..	539 132019.....	2..	NUT $\frac{7}{16}$ -14 WHZ LK
9..	539 913847.....	2..	RETAINER $\frac{3}{8}$ NUT				

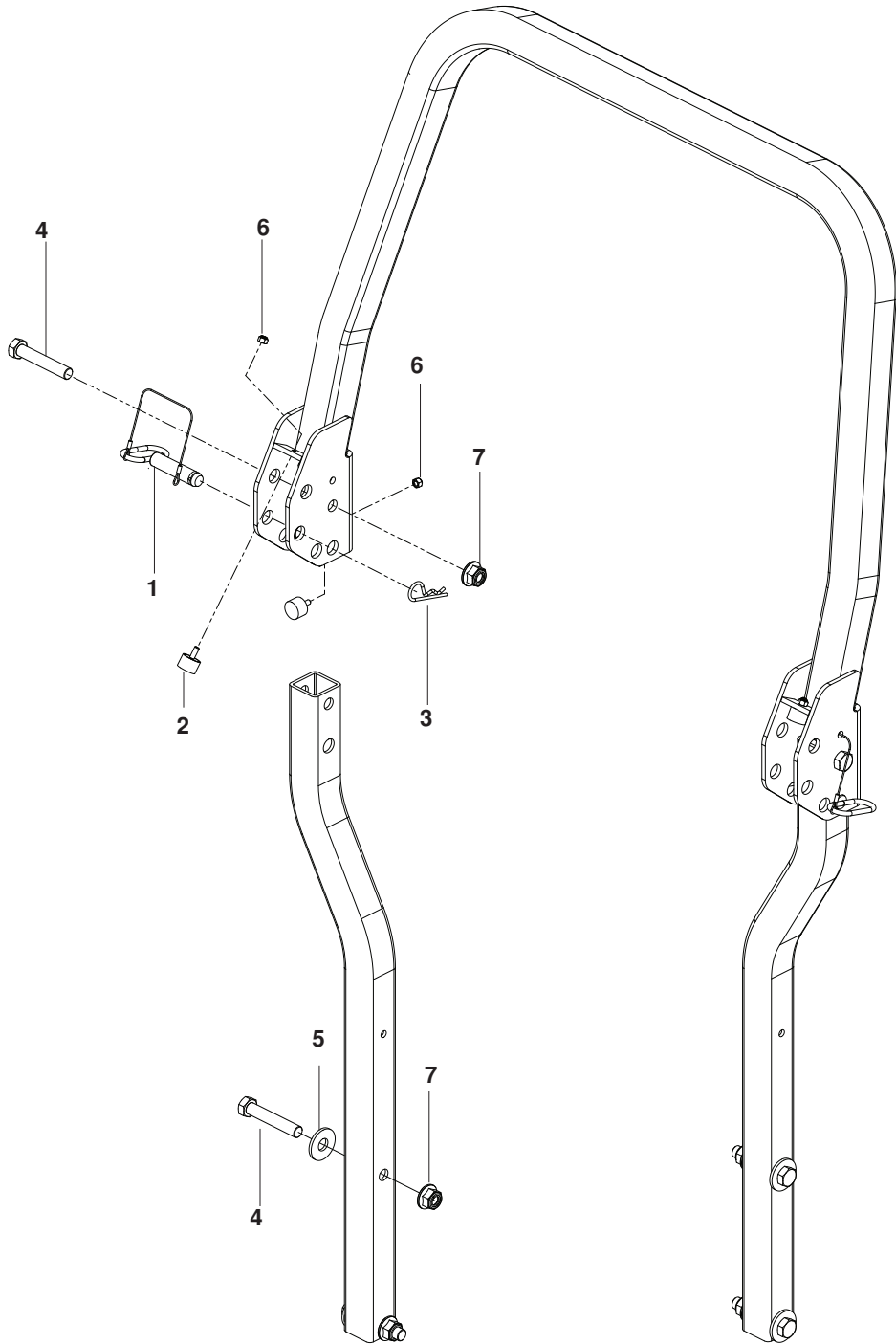
DECALS



DECALS

ITEM	PART NO.	QTY.	DESCRIPTION	ITEM	PART NO.	QTY.	DESCRIPTION
1..	574 437301.....	1..	DECAL, BELT ROUTING	17..	574 569002.....	1..	DECAL, ROPS WARNING
2..	539 105744.....	1..	DECAL, BELT DRIVE WARN	18..	574 455001.....	1..	DECAL, CROWN H
3..	539 105745.....	1..	DECAL, BATTERY WARNING	19..	574 825901.....	1..	DECAL, SERVICE
4..	539 105743.....	2..	DECAL, NO STEP	20..	532 424102.....	1..	DECAL, SPARK ARRESTOR
5..	539 105746.....	1..	DECAL, SEVERING	21..	574 815501.....	1..	DECAL, ZT-3400
6..	539 103333.....	2..	DECAL, MOTION CONTROL	22..	576 755301.....	1..	DECAL, HEIGHT
7..	539 913010.....	1..	DECAL, CPSC	23..	576 763801.....	1..	DECAL, RELEASE LEVER
8..	539 101881.....	1..	DECAL, PROP 65	24..	510 246602.....	1..	DECAL, CONTROL
9..	539 113224.....	1..	DECAL, WARNING	25..	576 755201.....	1..	DECAL, P-ZT4822
10..	539 110974.....	2..	DECAL, F.S.T		576 755202.....	1..	DECAL, P-ZT5224
11..	539 120006.....	1..	DECAL, PARK BRAKE		576 755203.....	1..	DECAL, P-ZT6126
12..	539 107959.....	1..	DECAL, WARNING		576 755204.....	1..	DECAL, P-ZT6128
13..	532 428676.....	1..	DECAL, CROWN		577 421101.....	1..	DECAL, P-ZT26
14..	532 429196.....	2..	DECAL, HUSQVARNA		NOT SHOWN		
15..	574 569401.....	1..	DECAL, FUSE		539 110279.....	1..	DECAL, ECM
16..	574 569006.....	1..	DECAL, ROPS		577 150101.....	1..	DECAL, FUEL

PROTECTION FRAME



PROTECTION FRAME

ITEM	PART NO.	QTY.	DESCRIPTION	ITEM	PART NO.	QTY.	DESCRIPTION
1..	574 388001.....	2..	LATCH PIN w/ LANYARD	5..	539 102653.....	4..	WASHER ⁵ / ₈ STD FLAT
2..	522 801401.....	4..	BUMPER, MALE STUD ¹ / ₄ -20	6..	539 976978.....	4..	NUT ¹ / ₄ -20 HEX NYLOC
3..	539 200715.....	2..	PIN, HAIR	7..	525 829101.....	6..	NUT ⁵ / ₈ -11 FLG NYLOC
4..	539 115576.....	6..	HCS ⁵ / ₈ -11 x 3 ¹ / ₂				