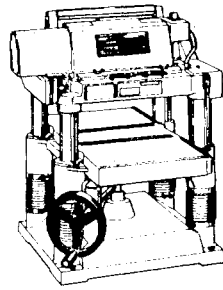
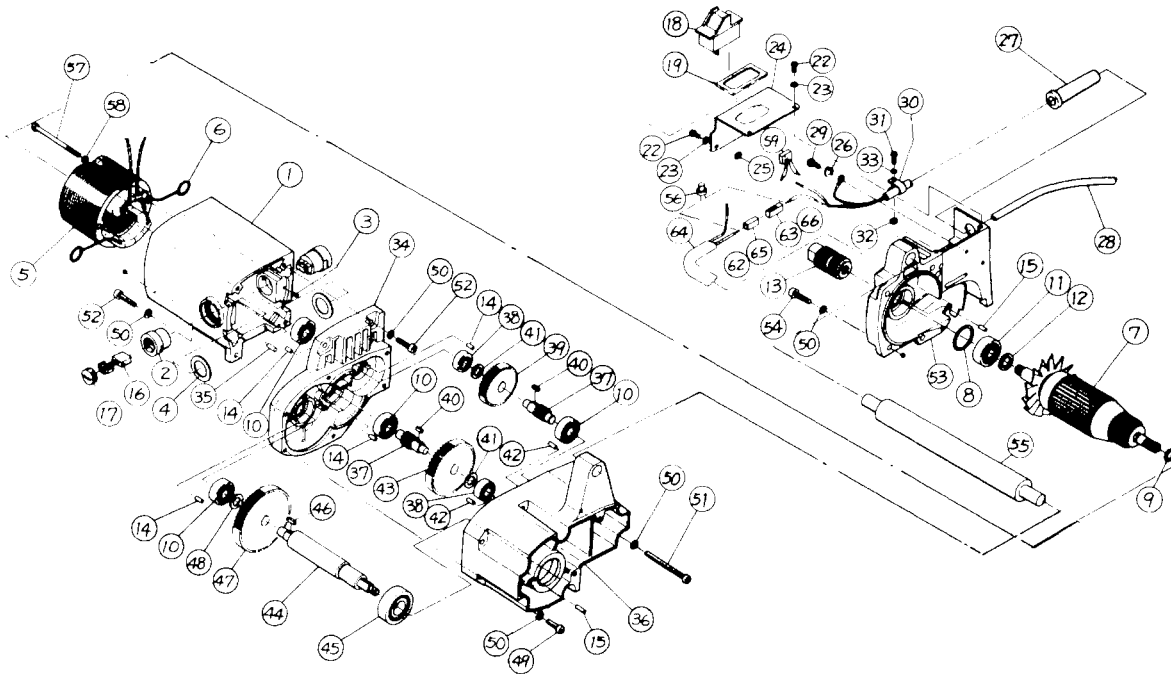




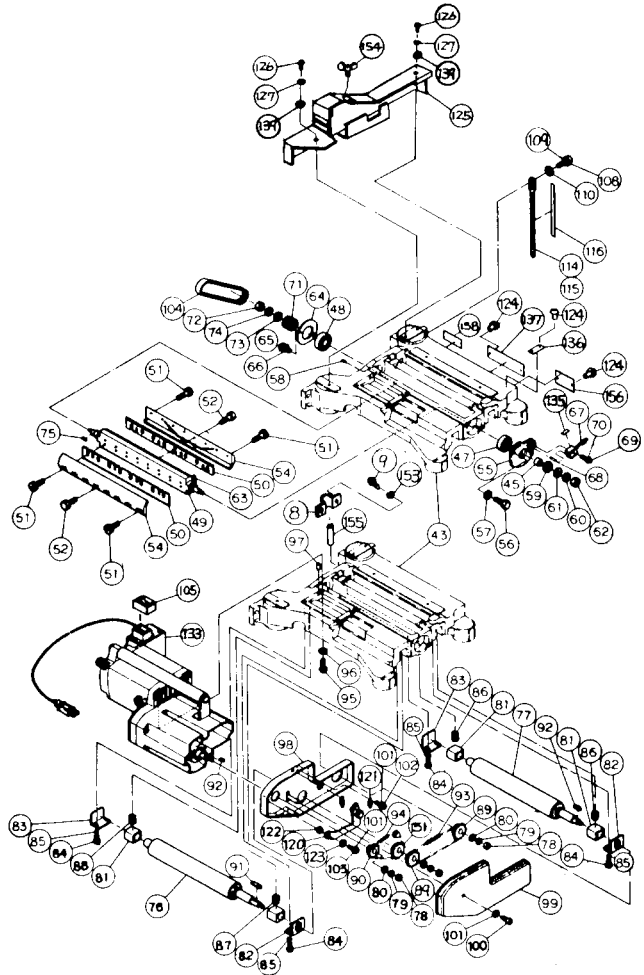
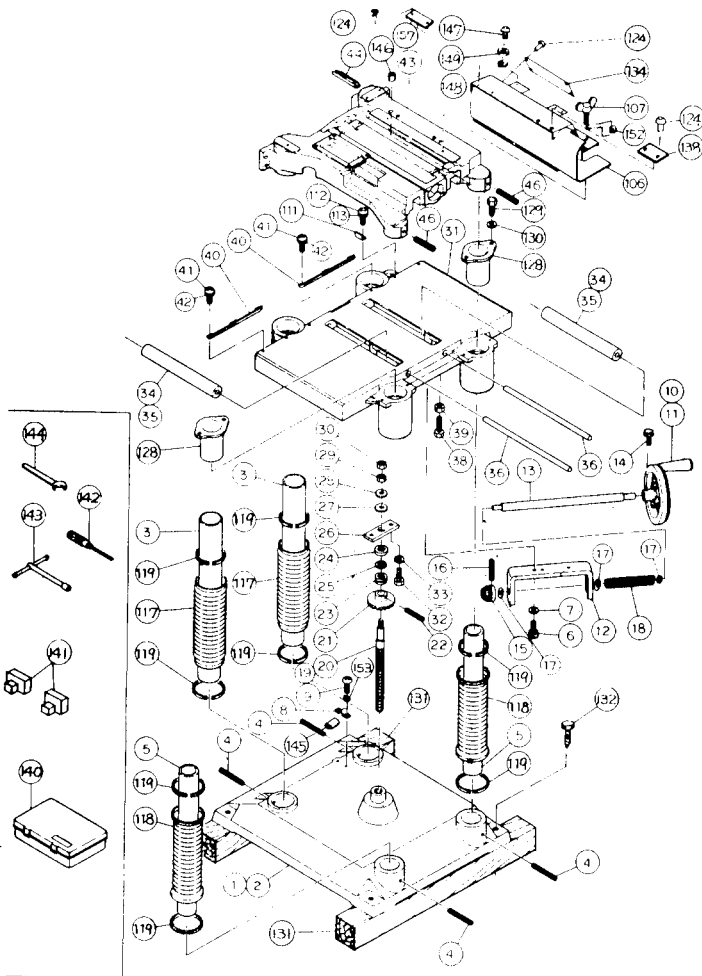
# HITACHI

## MOTOR ASS'Y(PLANER)

## Model P 100F



ITEM NO.	PART NO.	NO. USED	DESCRIPTION	SUPPLY Q'TY	ITEM NO.	PART NO.	NO. USED	DESCRIPTION	SUPPLY Q'TY
1	965670	1	Housing		35	949892	1	Pin 6×12	10
2	978441	2	Brush Holder (old 957001)		36 A	972073	1	Gear Cover till 6 / 83	
3	949364	2	Set Screw M4×4	10	36 B	976261	1	Gear Cover since 7 / 83	
4	956683	2	Stop Plate		37	947562	2	Pinion	
5	972081G	1	Stator		38	6000VV	1	Ball Bearing 6000VVCMP2S	
6	998744	2	Brush Terminal (old 957004)		39	948983	1	First Gear	
7	972071G	1	Armature		40	930511	2	Feather Key 4×4×10	
8	947803	2	Thrust Washer		41	947564	2	Thrust Washer	
9	939542	1	Retaining Ring	10	42	976301	2	Bearing Lock (old 931701)	
10	6201VV	4	Ball Bearing 6201VVCMP2S		43	948984	2	Second Gear	
11	6202VV	1	Ball Bearing 6202VVCMP2S		44	972074	1	Spindle	
12	947622	1	Distance Piece		45	6204VV	1	Ball Bearing 6204VVCMP2S	
13	972080	1	Pulley (D)		46	931008	1	Feather Key 4×4×12	
14	946362	4	Bearing Lock		47	948986	1	Final Gear	
15	945801	1	Bearing Lock		48	947568	1	Thrust Washer	
16	974611Z	1	Carbon Brush	2	49	949264	5	Machine Screw M6×40	10
17	978445	2	Brush Cap (old 940540)		50	949455	13	Spring Washer M6	10
18	972082Z	1	Switch		51	966136	1	Machine Screw M6×70	
19	971939Z	1	Rubber Plate		52	949260	3	Machine Screw M6×25	10
20	965580	1	Switch Protector (B)		53 A	972084Z	1	End Bracket till 6 / 83	
21	949236	2	Machine Screw M5×10	10	53 B	972527	1	End Bracket since 7 / 83	
22	949216	4	Machine Screw M4×10	10	54	949258	4	Machine Screw M6×20	10
23	949453	4	Spring Washer M4	10	55 A	972076	1	Return Roller till 6 / 83	
24	972083Z	1	Switch Cover		55 B	972526	1	Return Roller since 7 / 83	
25	949555	2	Nut M5	10	56	959141	1	Connector 50092	10
26	949454	1	Spring Washer M5	10	57	966130	2	Machine Screw M5×80	
27	940778	1	Cord Armor		58	949454	4	Spring Washer M5	10
28	500400Z	1	Cord		59	930030	1	Condenser	
29	949235	1	Machine Screw M5×8	10	62	972086Z	1	Plug Housing	
30	947559	1	Cord Clip		63	976260	1	Receptacle Housing	
31	949218	1	Machine Screw M4×4	10	64	-	1	Vinyl Tube	
32	949554	1	Nut M4	10	65	972087Z	1	Socket Contact	
33	949453	1	Spring Washer M4	10	66	972085	1	Pin Contact	
34	966133	1	Inner Cover						





# HITACHI

## PLANER

## Model P 100F

ITEM NO.	PART NO.	NO. USED	DESCRIPTION	SUPPLY Q'TY	ITEM NO.	PART NO.	NO. USED	DESCRIPTION	SUPPLY Q'TY
1	975690Z	1	Base Assembly (includes Item 2~5)		40	972765	2	Guide Piece	
2	—	1	Base		41	949216	6	Machine Screw M4×10	10
3	—	2	Column		42	949453	6	Spring Washer M4	10
4	947508	4	Spring Pin 8×80		43	975693Z	1	Head	
5	—	2	Column (A)		44	947508	2	Spring Pin 8×80	
6	949755	2	Hex. Socket Head Bolt M6×16	10	45	972009	1	Distance Sleeve (B)	
7	949455	2	Spring Washer M6	10	46	965909	2	Spring Pin 8×60	
8	934028	1	Cord Clip		47	6203VV	1	Ball Bearing 6203VVCMP2S	
9	949217	2	Machine Screw M4×12	10	48	6204VV	1	Ball Bearing 6204VVCMP2S	
10	975691Z	1	Handle Assembly (includes Item 11~18)		49	973847	1	Blade Barrel (A) Assembly (includes Item 47, 48, 55)	
11	974858Z	1	Round Handle		50	972011	2	Blade (A) 317mm	2
12	—	1	Handle Boss		51	976755	4	Bolt Assembly w / slot	10
13	—	1	Handle Shaft		52	976754	12	Bolt Assembly w / slot	10
14	975668	1	Bolt M6×25		54	973819	2	Blade Holder	
15	973812	1	Bevel Pinion		55	972012	1	Bearing Holder (A)	
16	949547	1	Spring Pin 4×36	10	56	949626	2	Bolt M8×25	10
17	948513	3	Washer (B)		57	949457	2	Spring Washer M8	10
18	973813	1	Handle Spring		58	946362	1	Bearing Lock	
19	973814	1	Feed Screw (E) Assembly (includes Item 20~30)		59	966061	1	Lock Ring (B)	
20	—	1	Feed Screw (E)		60	949457	1	Spring Washer M8	10
21	973815	1	Bevel Gear		61	949433	1	Bolt Washer M8	10
22	949506	1	Spring Pin 4×28	10	62	949558	1	Nut M8	10
23	939286	1	Thrust Bearing 51103		63	949786	1	Pin 3×6	10
24	966012	1	Bearing Shield		64	973820	1	Bearing Cap (C)	
25	966013	1	Washer (E)		65	949256	2	Machine Screw M6×16	10
26	973850	1	Plate		66	949455	2	Spring Washer M6	10
27	944616	1	Washer (A)		67	972048	1	Lock	
28	967754	1	Liner		68	949473	2	Pin 3×8	10
29	949560	1	Nut M10	10	69	949219	2	Machine Screw M4×16	10
30	949572	1	Lock Nut M10	10	70	949453	2	Spring Washer M4	10
31	973944	1	Planer Base Assembly (includes Item 128~130) (old 973851)		71	973849	1	Pulley (C)	
32	949626	2	Bolt M8×25	10	72	947530	1	L.H. Nut M8	
33	949457	2	Spring Lock Washer M8	10	73	949433	1	Bolt Washer M8	10
34	973817	2	Roller Assembly (includes Item 35, 36)		74	949457	1	Spring Washer M8	10
35	—	2	Base Roller Ass'y		75	931008	1	Feather Key 4×4×12	
36	—	2	Roller Shaft		76	972014	1	Feed Roller (A)	
38 A	947512	4	Special Bolt M6 till 7 / 83		77	972015	1	Feed Roller (B)	
38 B	973931	4	Wing Bolt M6 since 8 / 83		78	949558	3	Nut M8	10
39 A	949556	4	Nut M6 till 7 / 83	10	79	949457	3	Spring Washer M8	10
39 B	949313	4	Wing Nut M6 since 8 / 83	10					



# HITACHI

## PLANER

### Model P 100F

ITEM NO.	PART NO.	NO. USED	DESCRIPTION	SUPPLY Q'TY	ITEM NO.	PART NO.	NO. USED	DESCRIPTION	SUPPLY Q'TY
80	949426	3	Washer M8	10	121	972060Z	2	Arm Spring	
81	948914	4	Metal		122	972061Z	1	Piece	
82	972016	2	Metal Holder (A)		123	940391	1	Washer	
83	972017	2	Metal Holder (B)		124	949510	14	Rivet 2.5X4.8	10
84	949821	8	Hexagon Socket Head Bolt M5X16	10	125	975703Z	1	Belt Cover	
85	949454	8	Spring Washer M5	10	126	949256	2	Machine Screw M6X16	10
86	966025	2	Metal Spring (A)		127	949455	2	Spring Washer M6	10
87	966026	1	Metal Spring (B)		128	973838	2	Bush	
88	947539	1	Metal Spring (C)		129	949676	4	Bolt M6X20	10
89	948676	2	Sprocket		130	949455	4	Spring Washer M6	10
90	975694Z	1	Sprocket (B)		131	—	2	Feet	
91	965928	1	Feather Key 4X4X25		132	973854	4	Bolt 3 / 8"X75	
92	930511	2	Feather Key 4X4X10		133	—	1	Motor 115V see page 1	
93	972019	1	Chain 42 Links		134	—	1	Name Plate	
94	972020	1	Chain 38 Links		135	—	1	Caution Label (E)	
95	972793	4	Button Head Socket Screw		136	—	1	Caution Plate (V)	
96	949455	4	Spring Washer M6	10	137	—	1	Caution Plate (W)	
97	968547	2	Pin 6X12		138	—	1	Caution Plate (X)	
98	972021	1	Chain Cover (A)		139	949432	2	Bolt Washer M6	10
99	972022	1	Chain Cover (B)		140	976297	1	Tool Box	
100	949788	1	Machine Screw M6X55	10	141	973852	2	Setting Gauge	
101	949455	3	Spring Washer M6	10	142	945882	1	Driver	
102	949254	1	Machine Screw M6X10	10	143	967746	1	Box Spanner	
103	949256	1	Machine Screw M6X16	10	144	972043	1	Wrench	
104	947573	1	Belt		145	—	1	Tube	
105	—	1	Vinyl Cover		146	975702Z	4	Spacer	
106	975698Z	1	Chip Cover		147	949243	1	Machine Screw M5X25	10
107	949428	2	Wing Bolt M6X30	10	148	967329	4	Bolt Washer M5	
108	949256	2	Machine Screw M6X16	10	149	949454	4	Spring Washer M5	10
109	949455	2	Spring Washer M6	10	151	975695Z	1	Sprocket (D)	
110	949432	2	Bolt Washer M6	10	152	673489	2	Retaining Ring	
111	966035	1	Indicator		153	949453	2	Spring Washer M4	10
112	949236	2	Machine Screw M5X10	10	154	949395	1	Wing Bolt M5X6	10
113	949454	2	Spring Washer M5	10	155	—	1	Tube	
114	975699Z	1	Scale Bar (A) Assembly (includes Item 115, 116)		156	—	1	Caution Label	
115	—	1	Scale Bar (A)		157	—	1	Caution Label (A)	
116	973941	1	Scale (A)		158	—	1	Caution Plate	
117	973833	2	Bellows		159	973853	1	Gauge	
118	973834	2	Bellows (A)		160	949256	2	Machine Screw M6X16	10
119	973835	8	Hose Band		161	949455	2	Spring Washer M6	10
120	972059Z	1	Tensioner		162	949432	2	Bolt Washer M6	10
					195	976312	2	Cutter Spring since 6 / 84	