

**RYOBI  
18 VOLT LAWN MOWER  
ITEM NO. P1100  
MANUFACTURING NO. 107178002  
REPAIR SHEET**

**TECHTRONIC INDUSTRIES POWER EQUIPMENT, INC.**

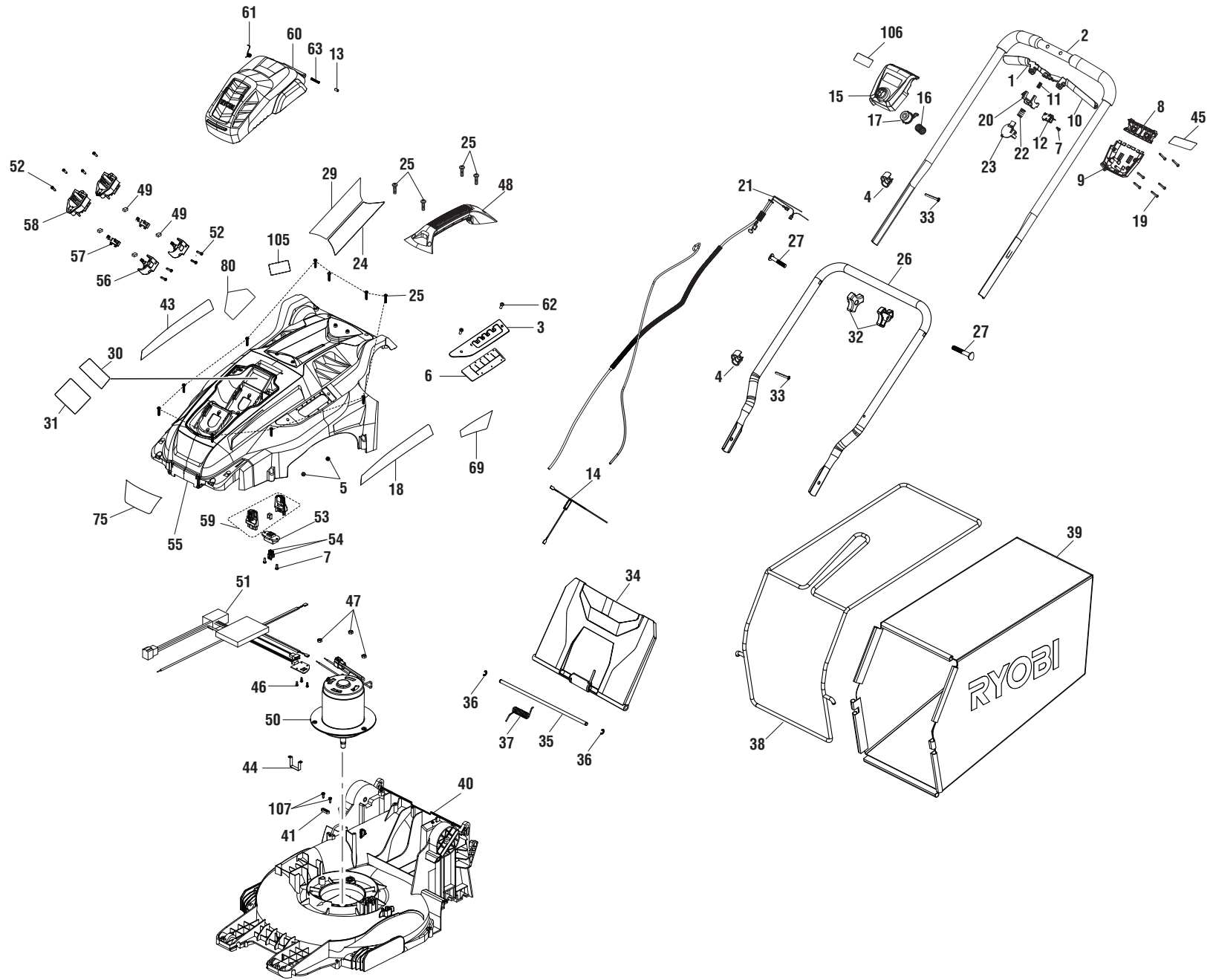
1428 Pearman Dairy Road, Anderson, SC 29625

Phone 1-800-860-4050

[www.ryobitools.com](http://www.ryobitools.com)



# RYOBI P1100 18 VOLT LAWN MOWER



## RYOBI P1100 18 VOLT LAWN MOWER

The model number will be found on a label attached to the deck. Always mention the model number in all correspondence regarding your **LAWN MOWER** or when ordering replacement parts.

### PARTS LIST

Key Part No.	Part Number	Description	Qty	Key Part No.	Part Number	Description	Qty
1	527969003	Trigger Handle (Right Power Lever) .....	1	30	941107024	Start Key Label (Eng) .....	1
2	307021005	Upper Handle Assembly .....	1	31	941107025	Start Key Label (FR/SP) .....	1
3	639193005	Height Adjustment Plate .....	1	32	528360001	Knob .....	2
4	532410001	Cord Clamp.....	2	33	660203059	Screw (M3 x 20 mm, Pan Hd.).....	2
5	678509001	Lock Nut (M5) .....	2	34	526857003	Rear Discharge Door.....	1
6	570839002	Dust Gasket .....	1	35	639200001	Rear Door Axle.....	1
7	661189002	Screw (M4 x 12 mm, T20 Torx Pan Hd.).....	3	36	678880001	Retaining Ring (E).....	2
8	529324002	Lower Cover (Stain Handle).....	1	37	679076001	Torsion Spring (Rear Door) .....	1
9	529313001	Lower Cover (Trigger Housing) .....	1	38	639183003	Bag Frame .....	1
10	527970003	Trigger Handle (Left Power Lever).....	1	39	970699003	Bag.....	1
11	694991001	Compression Spring .....	1	40	526854009	Deck.....	1
12	760689007	Switch .....	1	41	513211001	Cord Clip.....	2
13	621628001	Battery Door Axle.....	1	42	660608001	Screw (M4.2 x 12 mm, T20 Torx Pan Hd.).....	3
14	291562001	Lead Wire w/Terminal Block .....	1	43	941116017	Lithium Label (Right) .....	1
15	529321002	Upper Cover (Control Assembly) .....	1	44	636877001	Mounting Bracket .....	1
16	694136002	Button Return Spring .....	1	45	940686159	Starting Instructions Label.....	1
17	529322001	Start Button .....	1	46	660203001	Screw (M3 x 8 mm, Phillip Pan Hd.) .....	3
18	941116016	Lithium Label (Left) .....	1	47	680196006	Lock Nut (M6) .....	3
19	660208104	Screw (M4 x 30 mm, T15 Torx Pan Hd.) .....	6	48	526874001	Handle.....	1
20	529326001	Slider (Switch Box).....	1	49	563768001	Rubber Cushion.....	4
21	291721001	Starter Cable (Long).....	1	50	742166001	Motor .....	1
22	694990001	Torsion Spring.....	1	51	280347001	Soft Start Circuit Board.....	1
23	529325001	Switch Holder .....	1	52	662028001	Screw (M4 x 16 mm, T20 Torx Socket Pan Hd.).....	8
24	941846008	Warning Icon Label (Right).....	1	53	526912001	Key Holder .....	1
25	660563002	Screw (M3.5 x 20 mm, T20 Torx Pan Hd.) .....	18	54	639178001	Female Terminal.....	2
26	696080001	Lower Handle.....	1	55	526873003	Deck Cover .....	1
27	662104001	Screw (M8 x 57 mm).....	2	56	526979001	Press Cover (Battery Connect) .....	2
28	350878001	Handle Lock Assembly .....	2	57	300001067	Plate (Battery Connect).....	2
29	941846007	Warning Icon Label (Left).....	1	58	526978001	Base (Battery Connect).....	2

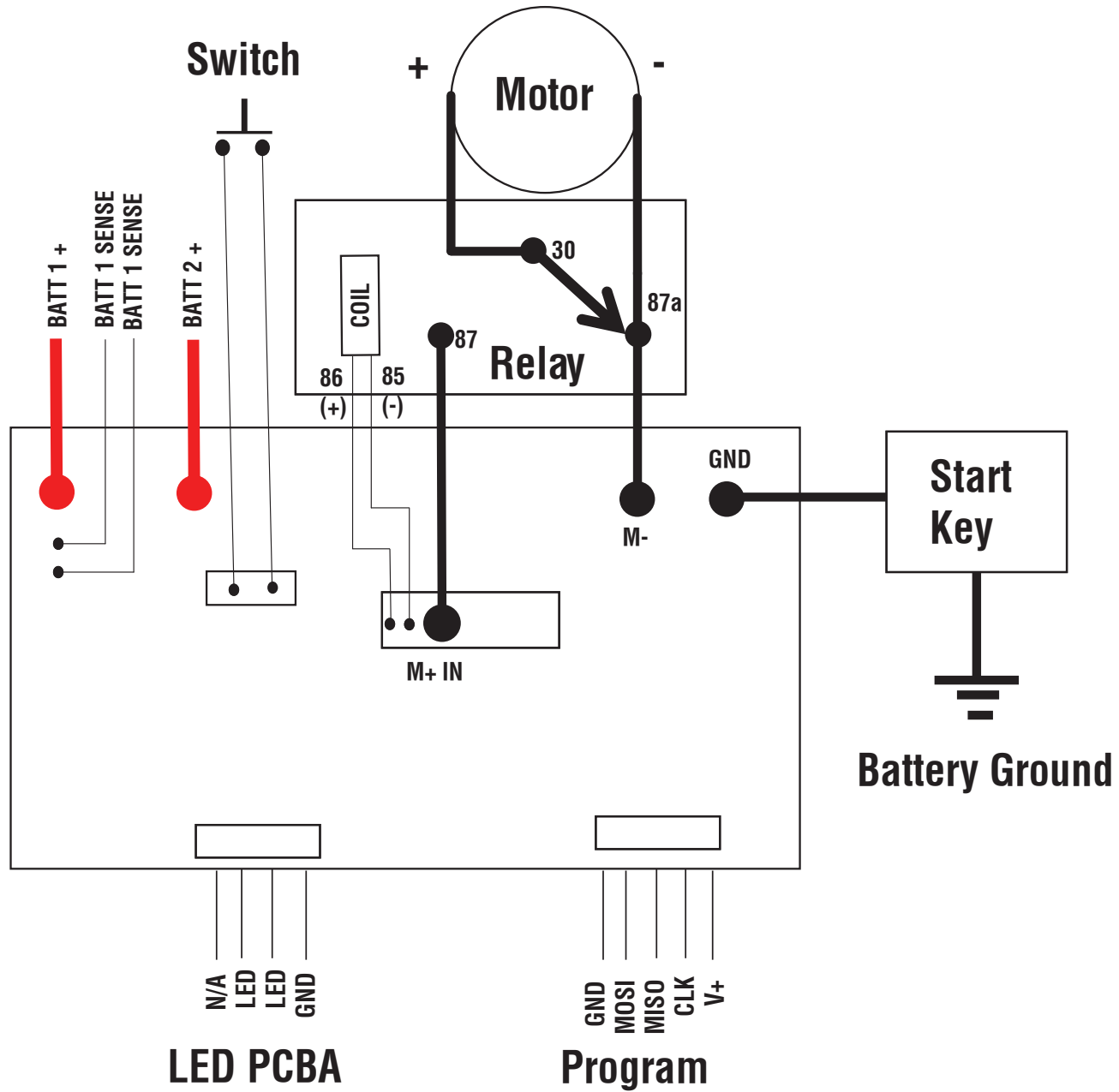
## RYOBI P1100 18 VOLT LAWN MOWER

The model number will be found on a label attached to the deck. Always mention the model number in all correspondence regarding your **LAWN MOWER** or when ordering replacement parts.

### PARTS LIST

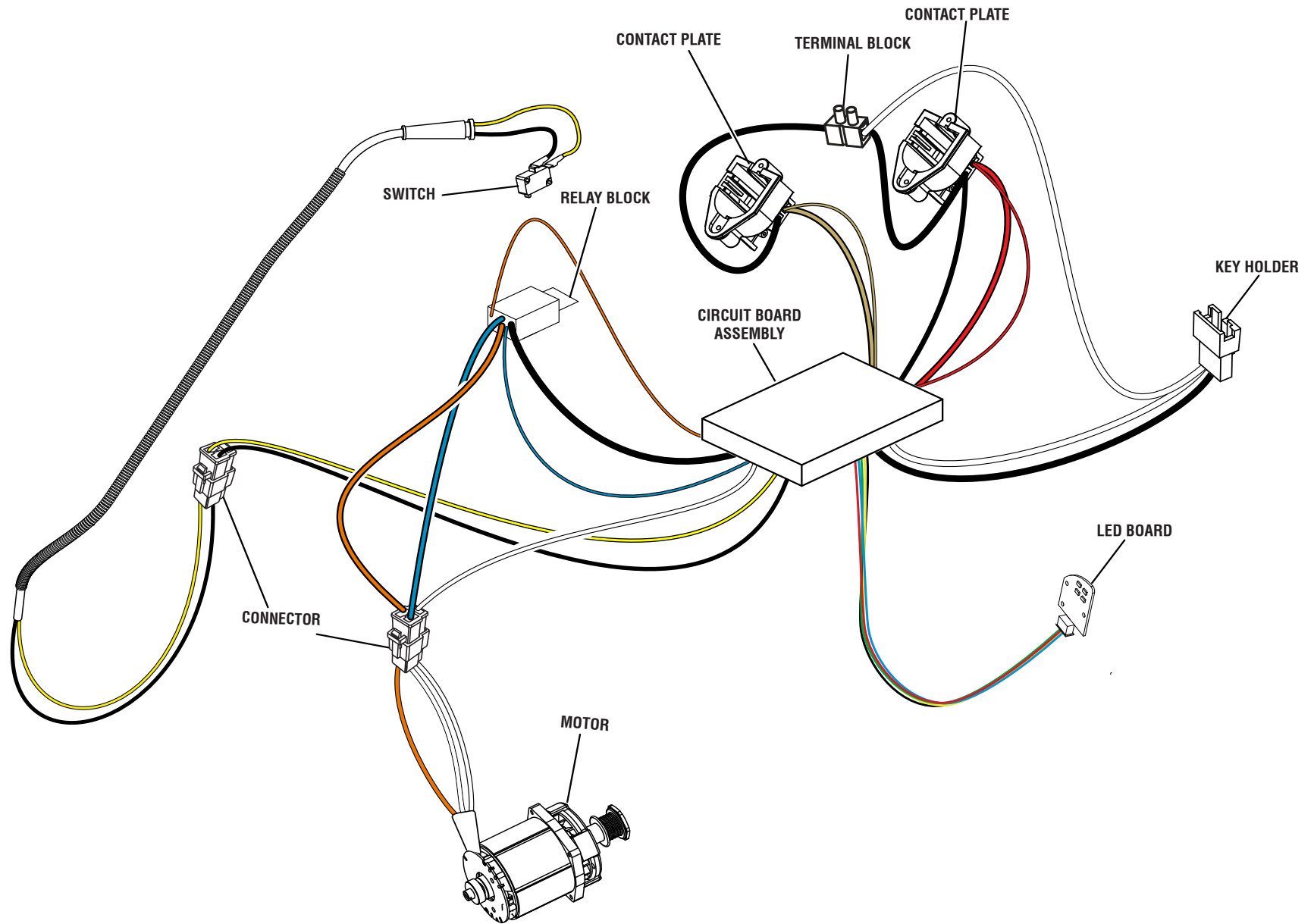
Key Part No. Number	Description	Qty	Key Part No. Number	Description	Qty		
59	311280001	Start Key .....	1	86	526924003	Height Adjustment Handle.....	1
60	526972001	Battery Cover.....	1	87	664021001	Screw (M3 x 9 mm, Flat Hd.) .....	2
61	694051001	Torsion Spring (Battery Door) .....	1	88	639204001	Height Adjustment Lever .....	1
62	660713001	Screw (M5 x 0.8 mm, Pan Hd.).....	2	89	679992001	Torsion Spring (Height Adjustment) .....	1
63	679073001	Pressure Spring .....	1	90	639203001	Height Adjustment Bracket.....	1
64	679988001	Spring Pin .....	2	91	639122001	Axle (Height Adjustment) .....	1
65	526904001	Latch .....	2	92	639125001	Pressure Plate (Height Adjustment) .....	2
66	526922001	Quick Lock Press.....	2	93	694052001	Retention Spring .....	1
67	526977001	Grass Protector (Right) .....	1	94	639185001	Front Lift Rod.....	1
68	526976001	Grass Protector (Left).....	1	95	679075001	Blade Nut (M10).....	1
69	940624097	Cut Diameter Label (Left).....	1	96	639118001	Blade Retainer .....	1
70	639113003	Washer (OD20 x ID13 x 1t) .....	4	97	526920001	Spacer.....	1
71	526980001	Mulching Plug .....	1	98	639180003	Blade.....	1
72	525668001	Rear Cover .....	1	99	526921001	Blade Holder .....	1
73	311253001	Front Wheel w/Bearing & Cap (6 in., Inc. Key No. 81) ...	2	100	639120001	Motor Shaft Bushing.....	1
74	528595001	Rear Skirt .....	1	101	660722002	Bolt (M6 x 16 mm, Hex Hd.) .....	3
75	940705269	Ryobi Logo Label (Front).....	1	102	638557001	Washer (OD15 x ID6 x 1t) .....	3
76	311739001	Rear Wheel w/Bearing & Cap (8 in., Inc. Key No. 81) ....	2	103	526975001	Bumper .....	1
77	636378001	Rear Wheel Axle.....	1	104	636379001	Front Wheel Axle.....	1
78	678279004	Cotter Pin (2.5).....	8	105	941588084	Data Label.....	1
79	639013001	Washer (OD18 x ID8.4 x 1t) .....	2	106	940705179	Ryobi Logo label (Handle).....	1
80	941641001	Cut Finger Label .....	1	107	660608002	Screw (M4 x 16 mm, T20 Torx Pan Hd.) .....	8
81	526876001	Wheel Cover .....	4	108	660024061	Screw (M4 x 14mm, T20 Torx Pan Hd.) .....	4
82	639116001	Axle Pressure Plate.....	6	<b>NOT SHOWN:</b>			
83	526922001	Base (Lock Handle).....	2	991000291	Operator's Manual		
84	661189003	Screw (M4 x 18 mm, Torx Pan Hd.) .....	12	9-27-18			
85	639186001	Rear Lift Rod.....	1	(Rev:03)			

RYOBI P1100 18 VOLT LAWN MOWER



WIRING DIAGRAM

RYOBI P1100 18 VOLT LAWN MOWER



WIRING DIAGRAM