

**RYOBI
18 VOLT LAWN MOWER
ITEM NO. P1102
MANUFACTURING NO. 107179001
REPAIR SHEET**

TECHTRONIC INDUSTRIES POWER EQUIPMENT

P.O. Box 1288, Anderson, SC 29622 USA
1-800-860-4050 • www.ryobitools.com

RYOBI P1102 18 VOLT LAWN MOWER

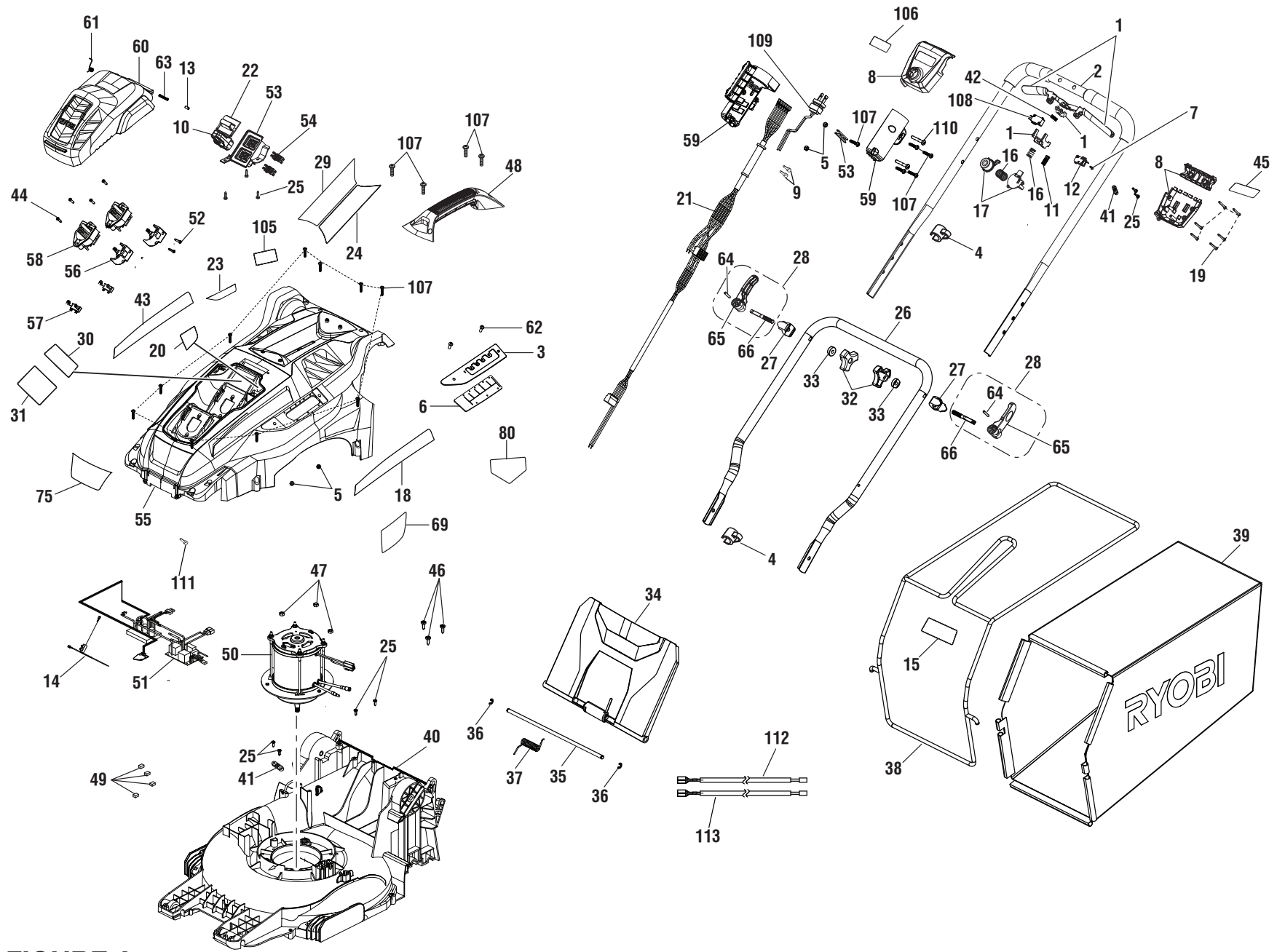


FIGURE A

RYOBI P1102 18 VOLT LAWN MOWER

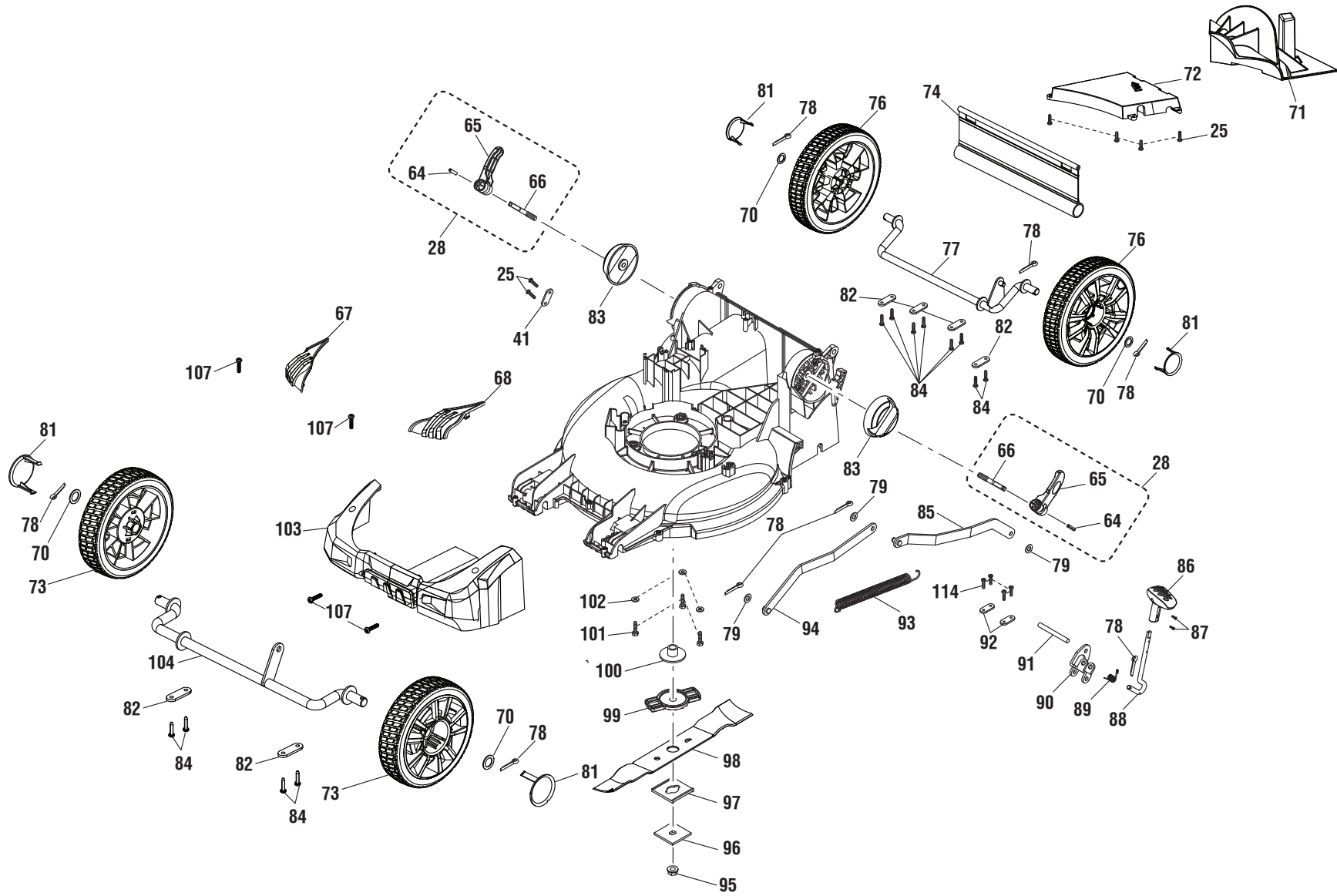


FIGURE A

RYOBI P1102 18 VOLT LAWN MOWER

The model number will be found on a label attached to the deck. Always mention the model number in all correspondence regarding your **LAWN MOWER** or when ordering replacement parts.

FIGURE A PARTS LIST

Key Part No. Number	Description	Qty	Key Part No. Number	Description	Qty		
1	200708001	Trigger Handle Assembly	1	32	526906001	Knob	2
2	311404002	Upper Handle Assembly	1	33	526907001	Block Washer	2
3	639193005	Height Adjustment Plate	1	34	526857003	Rear Discharge Door.....	1
4	519801001	Cord Clamp.....	2	35	639200001	Rear Door Axle.....	1
5	678509001	Lock Nut (M5)	4	36	678880001	Retaining Ring (E).....	2
6	570839002	Dust Gasket	1	37	679076001	Torsion Spring (Rear Door)	1
7	661189002	Screw (M4 x 10 mm, T20 Torx Pan Hd.)	1	38	639183003	Bag Frame	1
8	200686001	Trigger Housing Assembly	1	39	970699001	Bag.....	1
9	790009004	Wire Connector (Closed End)	2	40	526854009	Deck.....	1
10	311280002	Start Key	1	41	513211001	Cord Clip.....	3
11	694991001	Compression Spring	1	42	679034001	Spring	1
12	760557001	Switch	1	43	940851113	Lithium Label (Right)	1
13	621628001	Battery Door Axle.....	1	44	662028001	Screw (M4 x 16 mm).....	4
14	291562001	Lead Wire w/Terminal Block	1	45	940705314	Starting Instructions Label.....	1
15	940705314	Bag Door Label.....	1	46	660203001	Screw (M3 x 8 mm, Pan Hd.).....	3
16	694136002	Button Return Spring	2	47	680196006	Lock Nut (M6)	3
17	200688001	Start Button Assembly	1	48	526874001	Handle.....	1
18	940851112	Lithium Label (Left)	1	49	563768001	Rubber Block.....	4
19	660208104	Screw (M4 x 30 mm, T15 Torx Pan Hd.)	6	50	742166003	Motor	1
20	940851162	Fuel Gauge Label.....	1	51	280347002	Start Circuit Board	1
21	291564004	Starter Cable (Long).....	1	52	660203068	Screw (M4 x 16 mm, T20 Torx Socket Pan Hd.).....	4
22	528681002	Slide Door	1	53	200685001	Key Holder Assembly	1
23	940657190	Icon Warning Label.....	1	54	636440001	Key Receptacle.....	8
24	940657188	Warning Icon Label (Right).....	1	55	526873002	Deck Cover	1
25	660608002	Screw (M4 x 16 mm, T20 Torx Pan Hd.)	15	56	526979001	Press Cover (Battery Connect)	2
26	679987007	Lower Handle.....	1	57	300001067	Plate (Battery Connect).....	2
27	526905001	Pressure Block.....	2	58	526978001	Base (Battery Connect).....	2
28	350878001	Handle Lock Assembly	4	59	200707001	AC Plug Housing Assembly	1
29	940657188	Warning Icon Label (Left)	1	60	526872001	Battery Cover.....	1
30	940851109	Start Key Label (Eng)	1	61	694051001	Torsion Spring (Battery Door)	1
31	940851110	Start Key Label (FR/SP).....	1	62	660713001	Screw (M5 x 16 mm, Pan Hd.).....	2

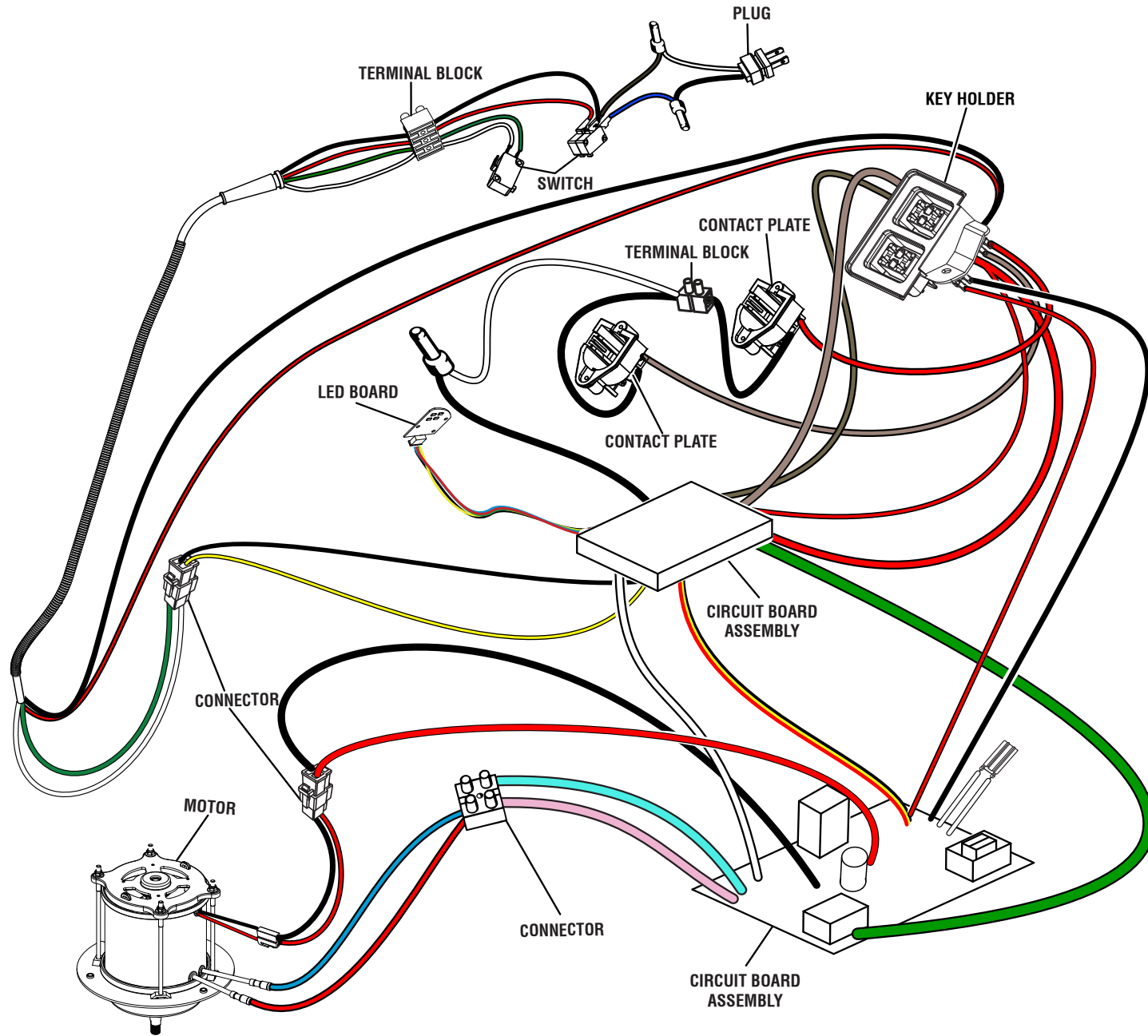
RYOBI P1102 18 VOLT LAWN MOWER

The model number will be found on a label attached to the deck. Always mention the model number in all correspondence regarding your **LAWN MOWER** or when ordering replacement parts.

FIGURE A PARTS LIST

Key Part No. Number	Description	Qty	Key Part No. Number	Description	Qty		
63	679073001	Pressure Spring	1	91	639122001	Axle (Height Adjustment)	1
64	679988001	Spring Pin	4	92	639125001	Pressure Plate (Height Adjustment)	2
65	526904001	Latch	4	93	694052001	Retention Spring	1
66	661865002	Quick Lock Press	4	94	639185001	Front Lift Rod	1
67	526977001	Grass Protector (Right)	1	95	679075001	Blade Nut (M10)	1
68	526976001	Grass Protector (Left)	1	96	639118001	Blade Retainer	1
69	941851111	Height Adjust Label	1	97	526920001	Spacer	1
70	639113003	Washer (OD20 x ID13 x 1t)	4	98	639180003	Blade	1
71	526980001	Mulching Plug	1	99	526921001	Blade Holder	1
72	525668001	Rear Cover	1	100	639120002	Motor Shaft Bushing	1
73	311253001	Front Wheel (6 in., Inc. Key No. 81)	2	101	660722002	Bolt (M6 x 16 mm, Hex Hd.)	3
74	528595001	Rear Skirt	1	102	638557001	Washer (OD15 x ID6 x 1t)	3
75	940705269	Ryobi Logo Label (Front)	1	103	526975001	Bumper	1
76	311739001	Rear Wheel w/Bearing & Cap (8 in., Inc. Key No. 81)	2	104	636379001	Front Wheel Axle	1
77	636378001	Rear Wheel Axle	1	105	941588111	Data Label	1
78	678279004	Cotter Pin (2.5)	8	106	940705179	Ryobi Logo Label (Handle)	1
79	639013001	Washer (OD18 x ID8.4 x 1t)	3	107	660563002	Screw (M4 x 20 mm)	23
80	941641001	Cut Finger Label	1	108	760034012	Micro Switch	1
81	526876001	Wheel Cover	4	109	291441004	Plug Wire	1
82	639116001	Axle Pressure Plate	6	110	661863001	Screw (M5 x 30 mm)	2
83	526922001	Base (Lock Handle)	2	111	790021001	Wire Connector (Closed End)	1
84	661189003	Screw (M4 x 18 mm, Torx Pan Hd.)	12	112	291420007	Lead Wire (Red)	1
85	639186001	Rear Lift Rod	1	113	291420008	Lead Wire (Brown)	1
86	526924001	Height Adjustment Handle	1	114	660024061	Screw (M4 x 14mm, T20 Torx Pan Hd.)	4
87	664021001	Screw (M3 x 9 mm, Flat Hd.)	2		NOT SHOWN:		
88	639204001	Height Adjustment Lever	1	991000690	Operator's Manual		
89	679992001	Torsion Spring (Height Adjustment)	1	9-27-18			
90	639203001	Height Adjustment Bracket	1	(Rev:04)			

RYOBI P1102 18 VOLT LAWN MOWER



WIRING DIAGRAM