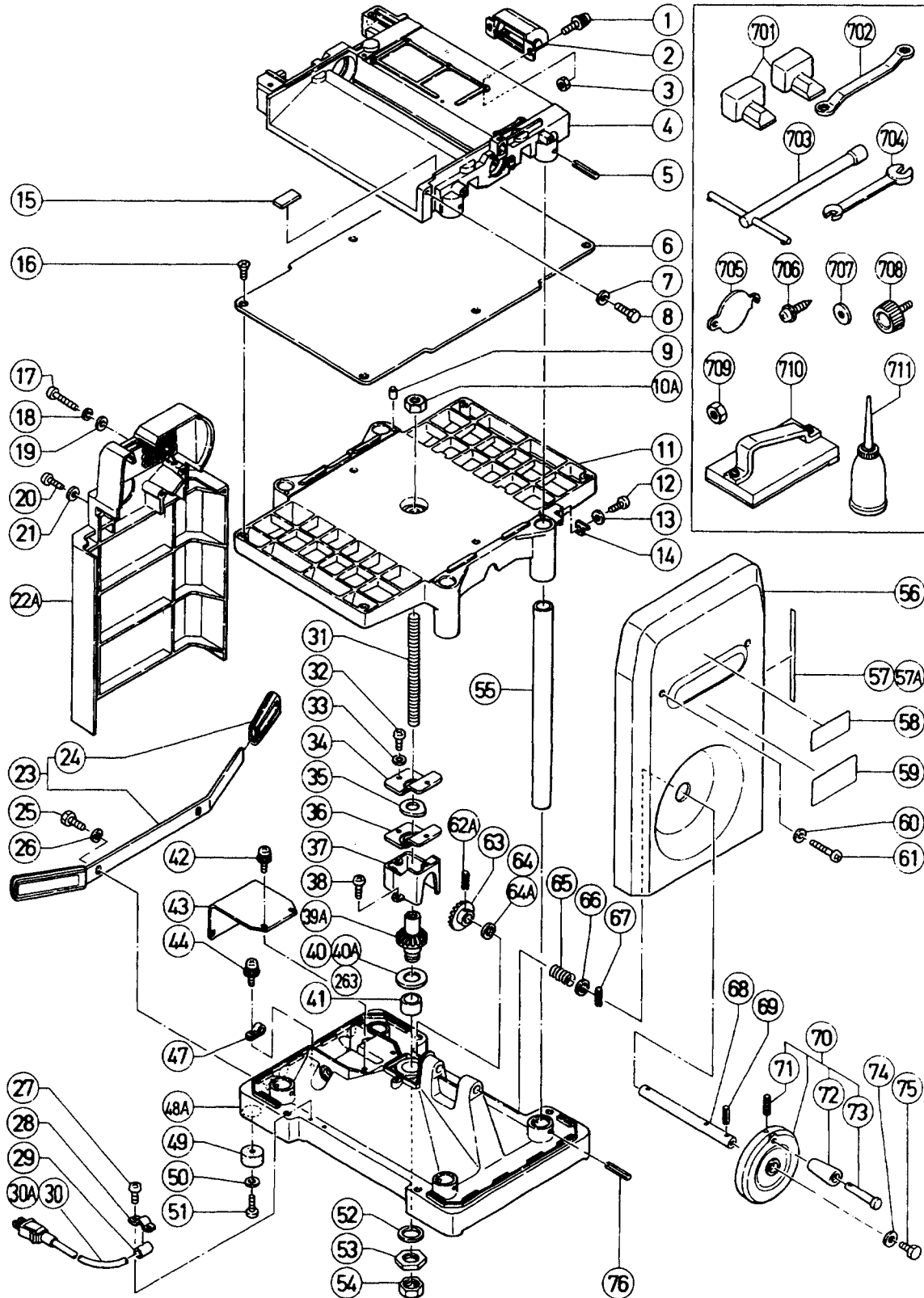
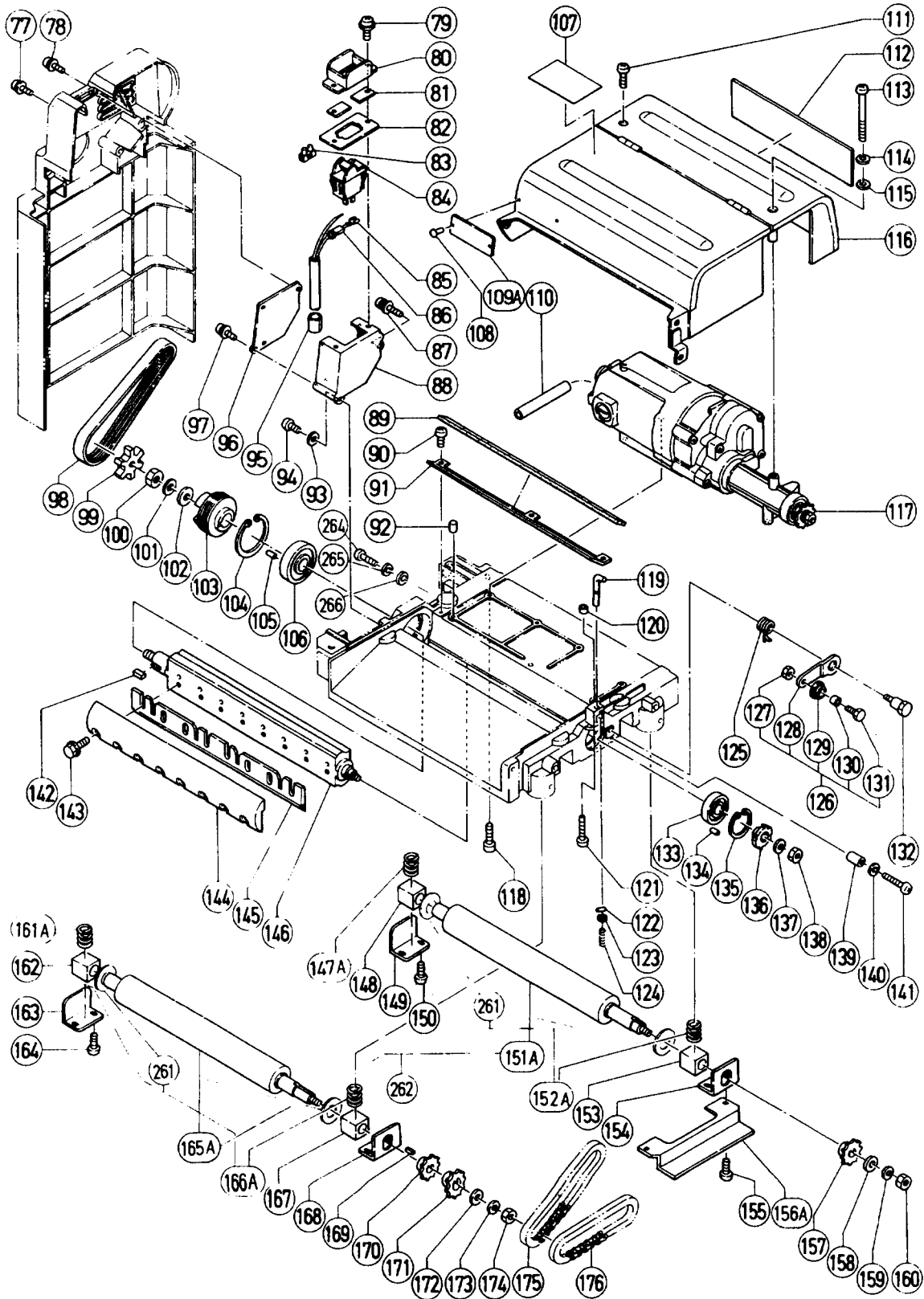


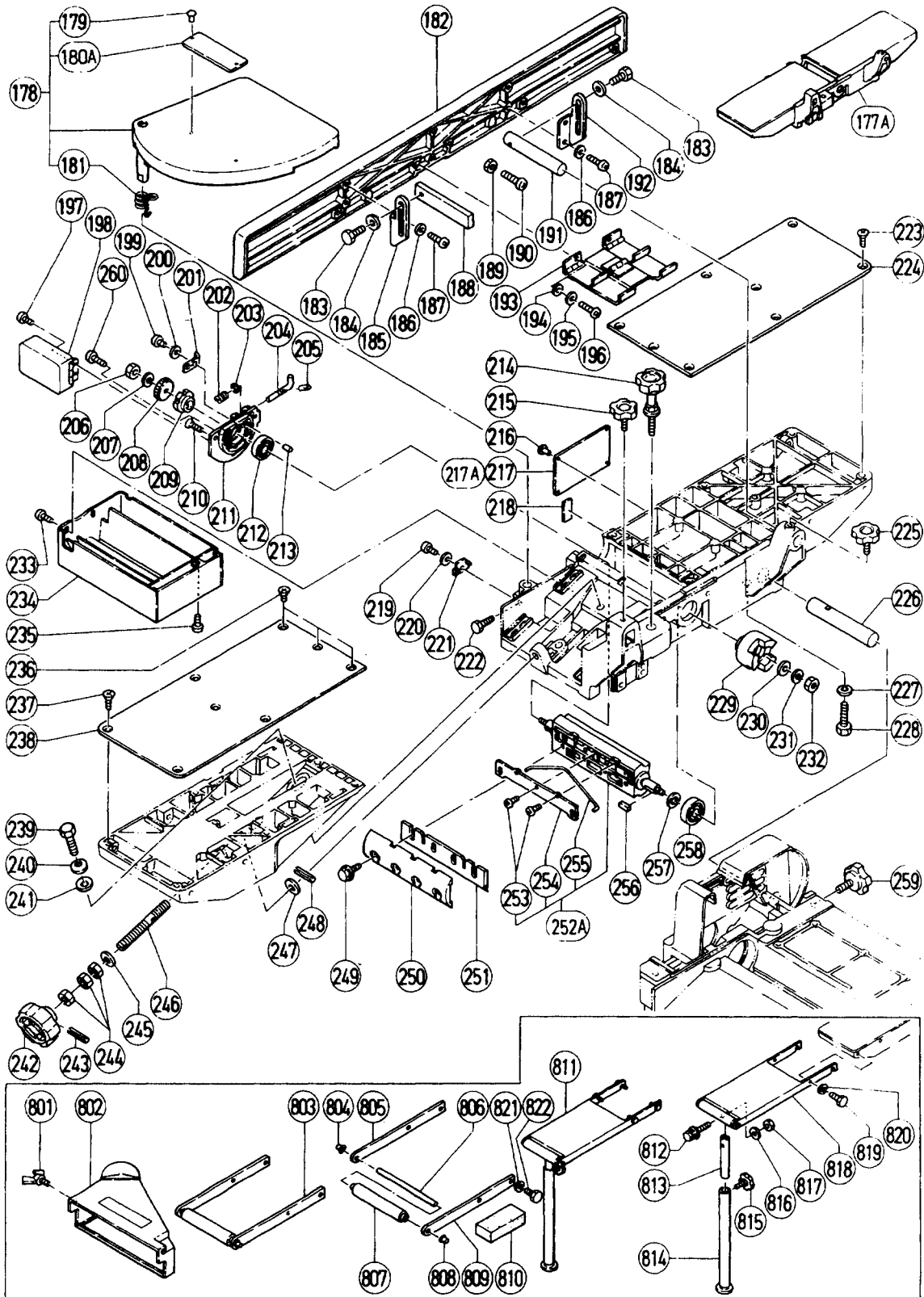
ELECTRIC TOOL PARTS LIST

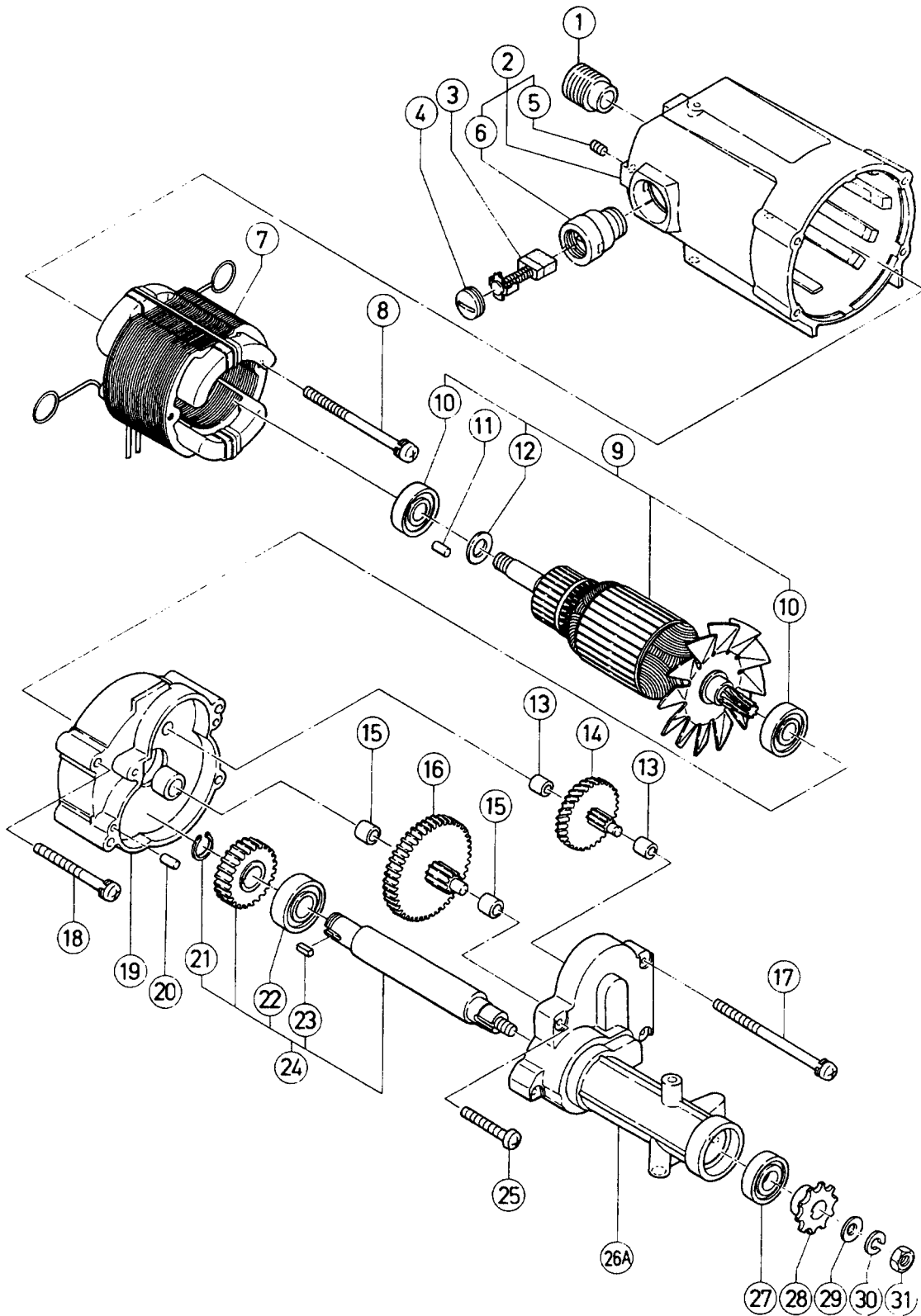
■ PORTABLE PLANER JOINTER
Model P 12RA

1996 · 5 · 31
(E2)









PARTS

P 12RA

ITEM NO.	CODE NO.	DESCRIPTION	NO. USED	REMARKS
1	951-893	MACHINE SCREW (W/WASHERS) M6X20	2	
* 2	303-863	GAUGE	1	
* 2	306-355	GAUGE	1	FOR SIN
3	949-558	NUT M6 (10 PCS.)	2	
4	303-951	HEAD	1	
5	949-686	ROLL PIN D6X40 (10 PCS.)	4	
6	302-809	PLATE	1	
7	949-432	BOLT WASHER M6 (10 PCS.)	1	
8	949-612	BOLT M6X14 (10 PCS.)	1	
9	966-716	OIL CUP	4	
10A	305-429	NUT M16	1	
11	303-893	TABLE ASS'Y FOR AUTOMATIC FEED	1	INCLUD.9,711
12	949-237	MACHINE SCREW M5X12 (10 PCS.)	1	
13	949-431	BOLT WASHER M5 (10 PCS.)	1	
14	302-810	INDICATOR	1	
15		CAUTION LABEL (F)	1	
16	949-331	FLAT HD. SCREW M5X10 (10 PCS.)	8	
17	949-248	MACHINE SCREW M5X40 (10 PCS.)	1	
18	949-454	SPRING WASHER M5 (10 PCS.)	1	
19	949-431	BOLT WASHER M5 (10 PCS.)	1	
20	949-245	MACHINE SCREW M5X30 (10 PCS.)	1	
21	949-431	BOLT WASHER M5 (10 PCS.)	1	
22A	302-849	SIDE COVER (B)	1	
23	303-125	STEP (B) ASS'Y	1	INCLUD.24
24	303-109	GRIP	2	
25	949-622	BOLT M8X16 (10 PCS.)	2	
26	949-457	SPRING WASHER M8 (10 PCS.)	2	
27	949-236	MACHINE SCREW M5X10 (10 PCS.)	2	
28	966-534	CORD CLIP	1	
29		VINYL TUBE (A) (I.D.9.5XT0.7X20)	3	
* 30A	303-949	CORD	1	
* 30	500-400Z	CORD	1	FOR CAN
* 30	952-802Z	CORD	1	FOR SIN
31	302-804	FEED SCREW	1	
32	949-235	MACHINE SCREW M5X8 (10 PCS.)	2	
33	949-454	SPRING WASHER M5 (10 PCS.)	2	
34	302-832	COVER (B)	1	
35	302-833	PACKING	1	
36	302-831	COVER (A)	1	
37	302-830	GEAR BOX	1	
38	949-236	MACHINE SCREW M5X10 (10 PCS.)	2	
39A	306-091	BEVEL GEAR ASS'Y	1	INCLUD.62A,64A,263
40	302-795	THRUST WASHER (A)	1	TILL 12.1991
40A	939-431	THRUST BEARING (51105)	1	SINCE 1.1992
41	302-796	BUSHING	1	
42	995-046	MACHINE SCREW (W/WASHERS) M5X12	4	
43	303-939	TERMINAL COVER	1	
44	990-541	MACHINE SCREW (W/WASHERS) M5X16	1	
47	996-530	NYLON CLIP	1	
48A	306-090	BASE ASS'Y	1	INCLUD.39A,40A - 43,52 - 55,65 - 68,76
49	964-851	BASE RUBBER	4	

*: ALTERNATIVE PARTS

PARTS

P 12RA

ITEM NO.	CODE NO.	DESCRIPTION	NO. USED	REMARKS
50	949-431	BOLT WASHER M5 (10 PCS.)	4	
51	949-241	MACHINE SCREW M5X20 (10 PCS.)	4	
52	302-797	THRUST WASHER (B)	1	
53	302-798	SPECIAL NUT (A)	1	
54	302-799	SPECIAL NUT (B)	1	
55		COLUMN	4	
56	302-806	SIDE COVER (A)	1	
* 57A	973-941	SCALE (A)	1	
* 57	966-036	SCALE (A)	1	FOR SIN
58		CAUTION LABEL (A)	1	
59		NAME PLATE	1	
60	949-431	BOLT WASHER M5 (10 PCS.)	2	
61	949-245	MACHINE SCREW M5X30 (10 PCS.)	2	
62A	949-501	ROLL PIN D4X30 (10 PCS.)	1	
64	302-802	WASHER	1	TILL 12.1991
64A	305-926	WASHER	1	SINCE 1.1992
65	976-233	SENSOR SPRING	1	
66	932-314	WASHER	1	
67	949-548	ROLL PIN D4X25 (10 PCS.)	1	
68	302-800	HANDLE SHAFT	1	
69	949-548	ROLL PIN D4X25 (10 PCS.)	1	
70	302-803	HANDLE (A) ASS'Y 120MM	1	INCLUD.71 - 73
71	949-548	ROLL PIN D4X25 (10 PCS.)	1	
72	967-614	FEED GRIP (A)	1	
73	303-985	GRIP SHAFT	1	
74	949-432	BOLT WASHER M6 (10 PCS.)	1	
75	949-611	BOLT M6X12 (10 PCS.)	1	
76	949-686	ROLL PIN D6X40 (10 PCS.)	4	
77	988-889	TAPPING SCREW (W/WASHER) D4X25	1	
78	995-062	TAPPING SCREW (W/WASHER) D4X16	1	
79	995-062	TAPPING SCREW (W/WASHER) D4X16	2	
80	303-948	SWITCH GUARD	1	
81	304-004	VINYL COVER	2	
82	303-947	SWITCH PLATE (A)	1	
83	303-946	PILLAR TERMINAL	1	
84	972-082Z	SWITCH (1P SOLDER TYPE)	1	
85	303-945	FASTON (C)	1	
86	303-944	INSULATING SLEEVE	1	
87	990-541	MACHINE SCREW (W/WASHERS) M5X16	1	
* 88	302-828	SWITCH BOX	1	
* 88	306-754	SWITCH BOX	1	FOR CAN
89	303-000	PACKING (A)	1	
90	949-236	MACHINE SCREW M5X10 (10 PCS.)	3	
91	302-826	CHIP GUIDE	1	
92	303-001	PIN D8X10	1	
93	949-431	BOLT WASHER M5 (10 PCS.)	1	
94	949-237	MACHINE SCREW M5X12 (10 PCS.)	1	
95		VINYL TUBE (A) (I.D.9.5XT0.7X20)	1	
96	302-829	SWITCH COVER	1	
97	996-255	TAPPING SCREW (W/WASHER) D4X20	2	
98	302-815	BELT	1	

*: ALTERNATIVE PARTS

PARTS

P 12RA

ITEM NO.	CODE NO.	DESCRIPTION	NO. USED	REMARKS
99	302-852	CUPLING RUBBER	1	
100	302-999	NUT (LEFT HAND) M10	1	
101	302-760	BELLEVILLE SPRING M10	1	
102	302-998	WASHER (I)	1	
103	302-814	PULLEY (B)	1	
104	967-270	RETAINING RING FOR D52 HOLE	1	
105	976-441	BEARING LOCK	1	
106	630-4VV	BALL BEARING 6304VVCMAV2S	1	
107		CAUTION LABEL (B)	1	
108	949-510	RIVET D2.5X4.8 (10 PCS.)	2	
* 109A		CAUTION PLATE (X)	1	
* 109A		CAUTION PLATE (H)	1	FOR SIN
110		VINYL TUBE (I.D.8.5XT0.7X90)	1	
111	302-825	TAPPING SCREW D5X16	1	
* 112	303-942	DECORATION NAME PLATE	1	
* 112		DECORATION NAME PLATE	1	FOR SIN
113	949-233	MACHINE SCREW M5X55 (10 PCS.)	1	
114	949-454	SPRING WASHER M5 (10 PCS.)	1	
115	949-431	BOLT WASHER M5 (10 PCS.)	1	
* 116	303-955	CHIP COVER	1	
* 116	302-824	CHIP COVER	1	FOR SIN
117		MOTOR (MODEL P100RA - M)	1	
118	949-660	HEX. SOCKET HD. BOLT M6X20 (10 PCS.)	4	
119	303-113	LOCK PIN	1	
120	303-002	SPACER D6X8	1	
121	972-793	BUTTON HEAD SOCKET SCREW M6X25	1	
122	302-774	SLOTTED PIN D2X8	1	
123	968-643	RETAINING RING (E - TYPE) FOR D4 SHAFT	1	
124	988-810	LOCK SPRING	1	
125	303-004	ARM SPRING	1	
126	303-003	TENSIONER ASS'Y	1	INCLUD.127 - 131
127	949-567	LOCK NUT M6 (10 PCS.)	1	
128	303-116	ARM	1	
129	303-117	ARM PIECE	1	
130	303-118	METAL (A)	1	
131	303-119	SPECIAL BOLT M6X15	1	
132	303-005	SPECIAL BOLT M8	1	
133	620-2VV	BALL BEARING 6202VVCMP2S	1	
134	976-301	BEARING LOCK	1	
135	939-556	RETAINING RING FOR D35 HOLE (10 PCS.)	1	
136	302-823	LOCK RING (A)	1	
137	949-457	SPRING WASHER M8 (10 PCS.)	1	
138	949-568	LOCK NUT M8 (10 PCS.)	1	
139	303-006	SPACER D4X10	1	
140	949-453	SPRING WASHER M4 (10 PCS.)	1	
141	949-221	MACHINE SCREW M4X20 (10 PCS.)	1	
142	945-072	FEATHER KEY 5X5X15	1	
143	302-781	BOLT	16	
144	973-819	BLADE HOLDER (1 PAIR)	2	
145	972-011	PLANER BLADES (A) 317MM (1 PAIR)	2	
146	302-812	CUTTER BLOCK (A) ASS'Y	1	INCLUD.106.133

*: ALTERNATIVE PARTS

PARTS

P 12RA

ITEM NO.	CODE NO.	DESCRIPTION	NO. USED	REMARKS
147A	305-190	METAL SPRING (A)	1	
148	302-818	METAL	1	
149	972-017	METAL HOLDER (B)	1	
150	949-239	MACHINE SCREW M5X16 (10 PCS.)	2	
151A	305-191	FEED ROLLER ASS'Y	1	INCLUD.147A,152A,261 FOR IN FEED
152A	305-190	METAL SPRING (A)	1	
153	302-818	METAL	1	
154	302-997	METAL HOLDER (A)	1	
155	949-239	MACHINE SCREW M5X16 (10 PCS.)	4	
156A	302-819	CHAIN COVER	1	
157	302-845	SPROCKET	1	
158	949-433	BOLT WASHER M8 (10 PCS.)	1	
159	949-457	SPRING WASHER M8 (10 PCS.)	1	
160	949-568	LOCK NUT M8 (10 PCS.)	1	
161A	305-190	METAL SPRING (A)	1	
162	302-818	METAL	1	
163	972-017	METAL HOLDER (B)	1	
164	949-239	MACHINE SCREW M5X16 (10 PCS.)	2	
165A	305-192	FEED ROLLER ASS'Y	1	INCLUD.161A,166A,261 FOR FEED
166A	302-996	METAL SPRING (B)	1	
167	302-818	METAL	1	
168	302-997	METAL HOLDER (A)	1	
169	931-008	FEATHER KEY 4X4X12	1	
* 170	303-956	SPROCKET (A)	1	
* 170	302-845	SPROCKET	1	FOR SIN
171	302-845	SPROCKET	1	
172	949-433	BOLT WASHER M8 (10 PCS.)	1	
173	949-457	SPRING WASHER M8 (10 PCS.)	1	
174	949-568	LOCK NUT M8 (10 PCS.)	1	
* 175	303-957	CHAIN (38 LINK)	1	
* 175	302-821	CHAIN (36 LINK)	1	FOR SIN
176	302-822	CHAIN (34 LINK)	1	
* 177A	303-952	JOINTER TABLE ASS'Y	1	INCLUD.219 - 221,223,224,236 - 248
* 177	302-759	JOINTER TABLE ASS'Y	1	INCLUD.219 - 221,223,224,236 - 248 FOR SIN
178	303-940	SAFETY COVER (A) ASS'Y	1	INCLUD.179 - 181
179	949-510	RIVET D2.5X4.8 (10 PCS.)	2	
180A		CAUTION PLATE (S)	1	
181	947-603	SPRING (B)	1	
* 182	304-002	GUIDE	1	
* 182	302-766	GUIDE	1	FOR SIN
183	988-167	HIGH TENSION BOLT M8X20	2	
184	949-433	BOLT WASHER M8 (10 PCS.)	2	
185	302-769	GUIDE ARM (B)	1	
186	949-454	SPRING WASHER M5 (10 PCS.)	2	
187	949-239	MACHINE SCREW M5X16 (10 PCS.)	4	
188	302-788	GUIDE SHAFT (B)	1	
189	949-555	NUT M5 (10 PCS.)	1	
190	949-243	MACHINE SCREW M5X25 (10 PCS.)	1	
191	302-787	GUIDE SHAFT (A)	1	
192	302-768	GUIDE ARM (A)	1	
* 193	303-959	SAFETY COVER (C)	1	

* : ALTERNATIVE PARTS

PARTS

P 12RA

ITEM NO.	CODE NO.	DESCRIPTION	NO. USED	REMARKS
* 193	302-771	SAFETY COVER (B)	1	FOR SIN
194	998-980	SPACER	2	
195	949-431	BOLT WASHER M5 (10 PCS.)	2	
* 196	949-236	MACHINE SCREW M5X10 (10 PCS.)	2	
* 196	995-046	MACHINE SCREW (W/WASHERS) M5X12	1	FOR SIN
197	949-216	MACHINE SCREW M4X10 (10 PCS.)	2	
198	302-782	NUT COVER	1	
199	949-214	MACHINE SCREW M4X6 (10 PCS.)	2	
200	949-429	BOLT WASHER M4 (10 PCS.)	2	
201	972-040	STOP PIECE	1	
202	988-810	LOCK SPRING	1	
203	968-643	RETAINING RING (E - TYPE) FOR D4 SHAFT	1	
204	302-773	LOCK PIN	1	
205	302-774	SLOTTED PIN D2X8	1	
206	947-530	NUT (LEFT HAND) M8	1	
207	949-457	SPRING WASHER M8 (10 PCS.)	1	
208	302-775	NUT (A)	1	
209	302-776	LOCK RING (B)	1	
210	949-332	FLAT HD. SCREW M5X12 (10 PCS.)	1	
211	302-772	BEARING HOLDER (B) ASS'Y	1	INCLUD.210,260
212	600-1VV	BALL BEARING 6001VVCMP2L	1	
213	976-301	BEARING LOCK	1	
214	303-127	KNOB BOLT M8X75	1	
215	302-770	KNOB BOLT M8X15	1	
216	949-510	RIVET D2.5X4.8 (10 PCS.)	4	
* 217		CAUTION PLATE (T)	1	TILL 11.1992 FOR USA,CAN
* 217A		CAUTION PLATE (Z)	1	SINCE 12.1992 FOR USA,CAN
218		CAUTION LABEL (F)	1	
219	949-214	MACHINE SCREW M4X6 (10 PCS.)	1	
220	949-429	BOLT WASHER M4 (10 PCS.)	1	
* 221	303-953	SCALE (C)	1	
* 221	302-763	SCALE (B)	1	FOR SIN
222	949-613	BOLT M6X16 (10 PCS.)	1	
223	949-331	FLAT HD. SCREW M5X10 (10 PCS.)	8	
224	302-765	JOINTER PLATE (B)	1	
225	302-770	KNOB BOLT M8X15	1	
226	302-853	SHAFT (B)	1	
227	949-457	SPRING WASHER M8 (10 PCS.)	1	
228	949-628	BOLT M8X30 (10 PCS.)	1	
229	302-851	CUPLING	1	
230	949-433	BOLT WASHER M8 (10 PCS.)	1	
231	949-457	SPRING WASHER M8 (10 PCS.)	1	
232	949-588	LOCK NUT M8 (10 PCS.)	1	
233	949-236	MACHINE SCREW M5X10 (10 PCS.)	2	
* 234	303-960	SHOOT	1	
* 234	302-878	SHOOT	1	FOR SIN
235	949-216	MACHINE SCREW M4X10 (10 PCS.)	1	
236	949-792	FLAT HD. SCREW M5X8 (10 PCS.)	3	
237	949-331	FLAT HD. SCREW M5X10 (10 PCS.)	5	
238	302-764	JOINTER PLATE	1	
239	949-695	BOLT M10X35 (10 PCS.)	2	

*: ALTERNATIVE PARTS

PARTS

P 12RA

ITEM NO.	CODE NO.	DESCRIPTION	NO. USED	REMARKS
240	302-760	BELLEVILLE SPRING M10	2	
241	949-434	BOLT WASHER M10 (10 PCS.)	2	
242	996-263	KNOB	1	
243	949-548	ROLL PIN D4X25 (10 PCS.)	1	
244	965-502	SPECIAL NUT M10	3	
245	949-434	BOLT WASHER M10 (10 PCS.)	1	
246	302-761	FEED SCREW (B)	1	
247	949-434	BOLT WASHER M10 (10 PCS.)	1	
248	949-870	ROLL PIN D4X22 (10 PCS.)	1	
249	302-781	BOLT	8	
250	302-780	BLADE HOLDER (B) (1 PAIR)	2	
* 251	303-761	PLANER BLADES 156MM (1 PAIR)	2	
* 251	963-940	PLANER BLADES 156MM (1 PAIR)	2	FOR SIN
252A	302-777	CUTTER BLOCK (B) ASS'Y	1	INCLUD.212,253 - 255,258
253	949-216	MACHINE SCREW M4X10 (10 PCS.)	6	
254	302-779	SPRING COVER	2	
255	302-778	SPRING	2	
256	948-919	FEATHER KEY 4X4X15	1	
257	302-848	DISTANCE WASHER	1	TILL 4.1991
258	620-1VV	BALL BEARING 6201VVCMP2S	1	
259	302-854	KNOB BOLT M8X25	1	
260	949-237	MACHINE SCREW M5X12 (10 PCS.)	2	
261	305-193	PACKING	4	
262	305-189	FEED ROLLER SET	1	INCLUD.151A,165A
263	939-431	THRUST BEARING (51105)	1	PARTS OF NEW BEVEL GEAR ASS'Y SET UP FOR OLD TYPE BASE
* 264	949-235	MACHINE SCREW M5X8 (10 PCS.)	1	FOR CAN
* 265	949-454	SPRING WASHER M5 (10 PCS.)	1	FOR CAN
* 266	949-431	BOLT WASHER M5 (10 PCS.)	1	FOR CAN
526A	309-685	GEAR CASE ASS'Y	1	INCLUD.513,515

STANDARD ACCESSORIES

ITEM NO.	CODE NO.	DESCRIPTION	NO. USED	REMARKS
701	973-852	SETTING GAUGE (A)	2	
702	302-300	WRENCH (HEX. SOCKET 10/10MM)	1	
703	967-746	BOX WRENCH 10MM	1	
704	972-043	WRENCH 10/13MM	1	
705	302-827	PULLEY COVER	1	
706	995-062	TAPPING SCREW (W/WASHER) D4X16	1	
707	976-448	WASHER (B)	1	
708	998-836	KNOB BOLT M6X11	1	
709	949-567	LOCK NUT M8 (10 PCS.)	1	TILL 12.1993
710	973-859Z	PUSHING BLOCK	1	
711	303-894	LUBRICANT OILER (120CC)	1	

* : ALTERNATIVE PARTS

