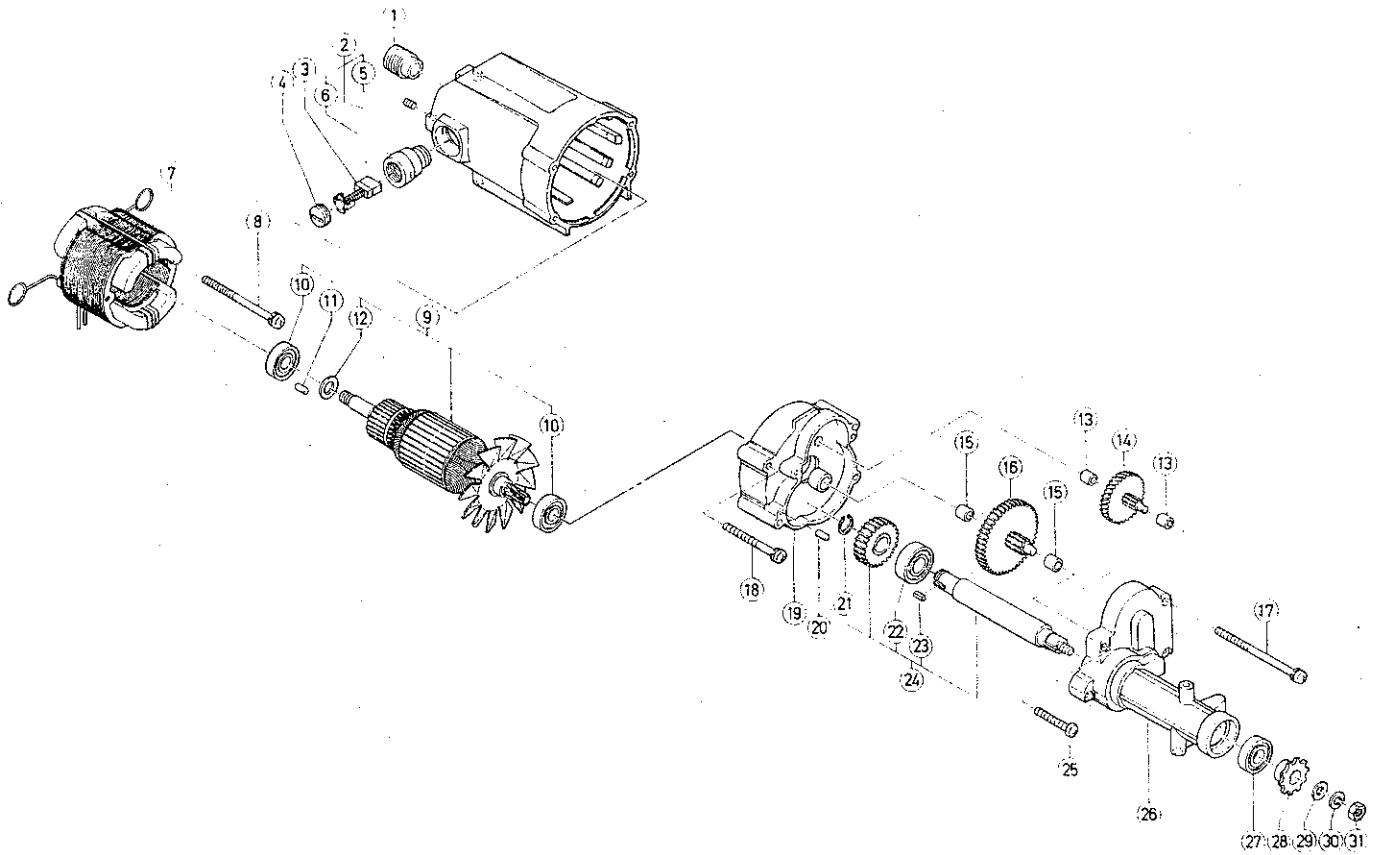


HITACHI PORTABLE PLANER JOINTER Model P 12RA

MOTOR Model P100RA-M



ITEM NO.	PART NO.	NO. USED	DESCRIPTION	SUPPLY Q'TY	ITEM NO.	PART NO.	NO. USED	DESCRIPTION	SUPPLY Q'TY
1	302-847	1	PULLEY (A)		17	976-816	3	TAPPING SCREW (W/SP.WASHER) D5X75	
2	302-838	1	HOUSING ASS'Y		18	951-871	1	TAPPING SCREW (W/SP.WASHER) D5X50	
3	974-811Z	2	CARBON BRUSH	2	19	302-839	1	INNER COVER ASS'Y	
4	978-445	2	BRUSH CAP		20	949-466	2	PIN D5X12	10
5	966-426	2	HEX. SOCKET SET SCREW M5X8		21	939-544	1	RETAINING RING FOR D15 SHAFT	10
6	974-567	2	BRUSH HOLDER		22	620-2VV	1	BALL BEARING 6202VVCMP2S	
7	340-234C	1	STATOR 115V		23	930-511	1	FEATHER KEY 4X4X10	
8	976-816	2	TAPPING SCREW (W/SP.WASHER) D5X75		24	302-842	1	FINAL SHAFT ASS'Y	
9	360-219	1	ARMATURE ASS'Y 115V		25	949-243	1	MACHINE SCREW M5X25	10
10	620-1DD	2	BALL BEARING 6201DDUCMAV2S		26	302-843	1	GEAR CASE ASS'Y	
11	976-441	1	BEARING LOCK		27	600-2VV	1	BALL BEARING 6002VVCMP2S	
12	302-848R	1	DISTANCE WASHE		28	302-845	1	SPROCKET	
13	302-846	2	BEARING METAL		29	949-433	1	BOLT WASHER M8	10
14	302-840	1	FIRST GEAR		30	949-457	1	SPRING WASHER M8	10
15	303-111	2	BEARING METAL		31	949-568	1	LOCK NUT M8	10
16	302-841	1	SECOND GEAR						