

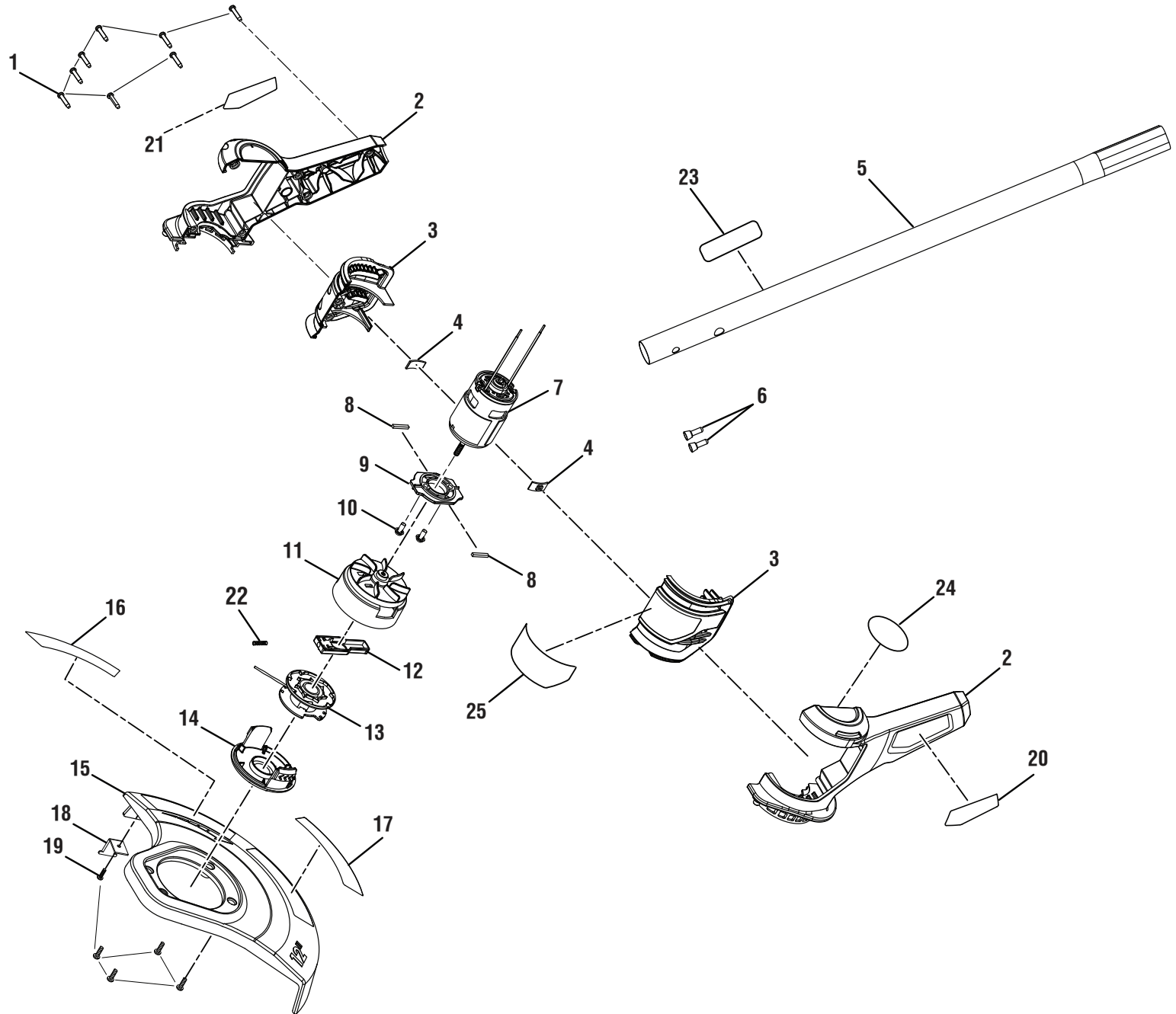
RYOBI
Cordless String Trimmer
Item No. P20010
Model No. 107491001
Repair Sheet

TECHTRONIC INDUSTRIES POWER EQUIPMENT

P.O. Box 1288, Anderson, SC 29622 USA
1-800-860-4050 • www.ryobitools.com

RYOBI CORDLESS STRING TRIMMERS - ITEM NUMBER P20010

FIGURE A



RYOBI CORDLESS STRING TRIMMERS – ITEM NUMBER P20010

The model number will be found on a label attached to the upper boom. Always mention the model number in all correspondence regarding your **STRING TRIMMER** or when ordering replacement parts.

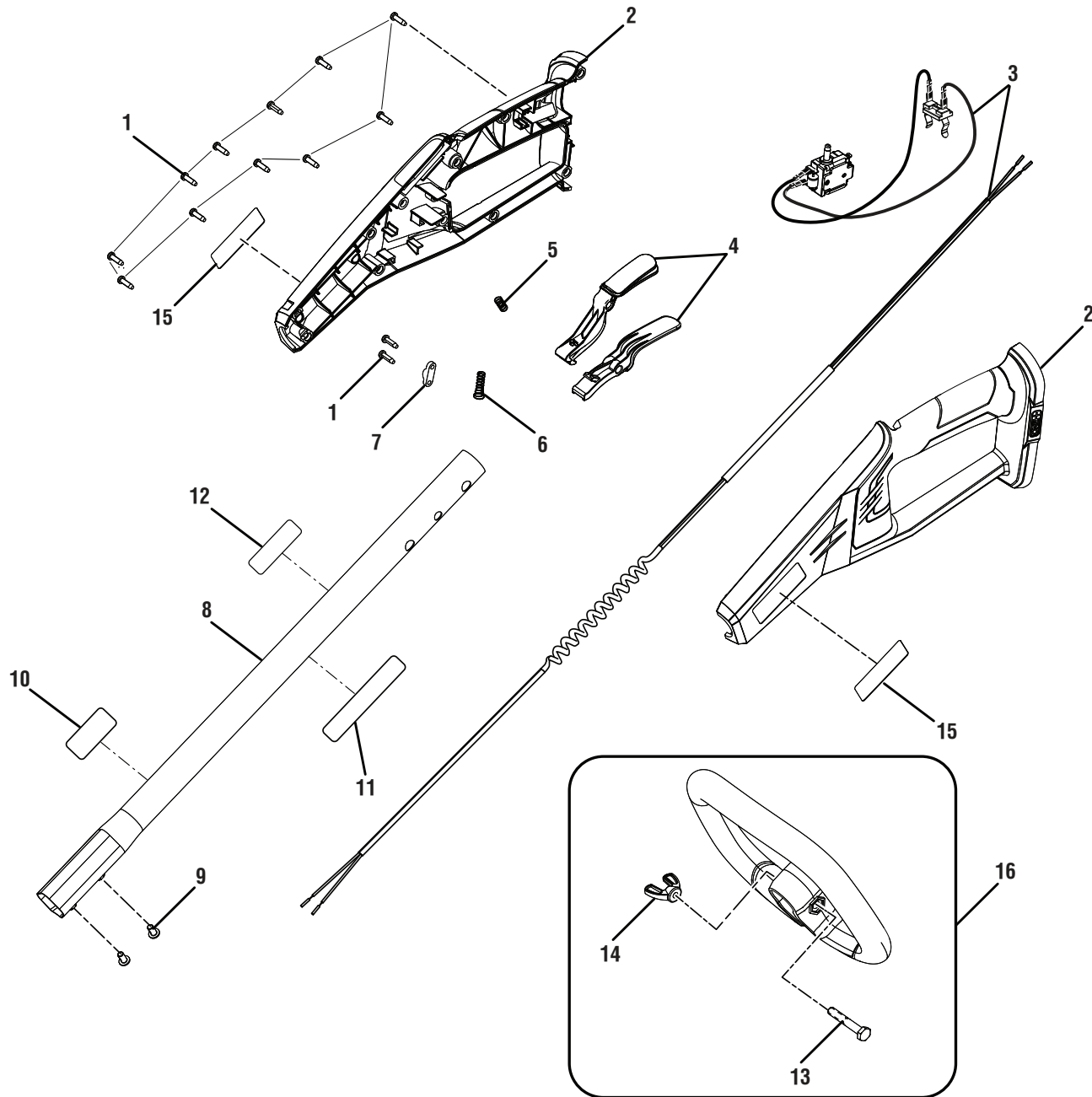
PARTS LIST – FIGURE A

KEY NO.	PART NUMBER	DESCRIPTION	QTY	KEY NO.	PART NUMBER	DESCRIPTION	QTY
1	661864007	Screw (M4 x 18 mm, Torx. Hd.).....	8	13	***	Spool w/Line Assembly	1
2	313563001	Motor Housing Assembly (Inc. Key Nos. 20-21 and 24)	1	14	***	Spool Cap	1
3	313569001	Lower Housing Assembly (Inc. Key No. 25).....	1	15	313564001	Guard Assembly (Inc. Key Nos. 16-19).....	1
4	570815001	Motor Rubber Plate.....	2	16	941606001	Adjustable Cut Label.....	1
5	313462001	Lower Tube Assembly (Inc. Key No. 23)	1	17	941528003	Autofeed String Head Label.....	1
6	790009004	Wire Connector	2	18	638845006	Line Cut-Off Blade	1
7	742199001	Motor	1	19	660208055	Screw (M4 x 12 mm)	5
8	562079003	Rubber Plate (Motor Plate).....	2	20	941705023	Left Side Motor Label	1
9	522926001	Motor Mounting Plate	1	21	941705022	Right Side Motor Label	1
10	660502002	Screw (M5 x 10.5 mm)	2	22	679034001	Compression Spring	1
11	524851002	Spool Base w/Fan.....	1	23	940020025	Lower Boom Lithium Label	1
12	310920001	Slider Assembly	1	24	941705021	“R” Badge Label	1
				25	941705024	Front Motor Label	1
					Not Shown		
					995000306	Operator's Manual	
					11-1-19		
					(Rev:05)		

*** Standard Hardware Item – May Be Purchased Locally at The Home Depot

RYOBI CORDLESS STRING TRIMMERS - ITEM NUMBER P20010

FIGURE B



RYOBI CORDLESS STRING TRIMMERS – ITEM NUMBER P20010

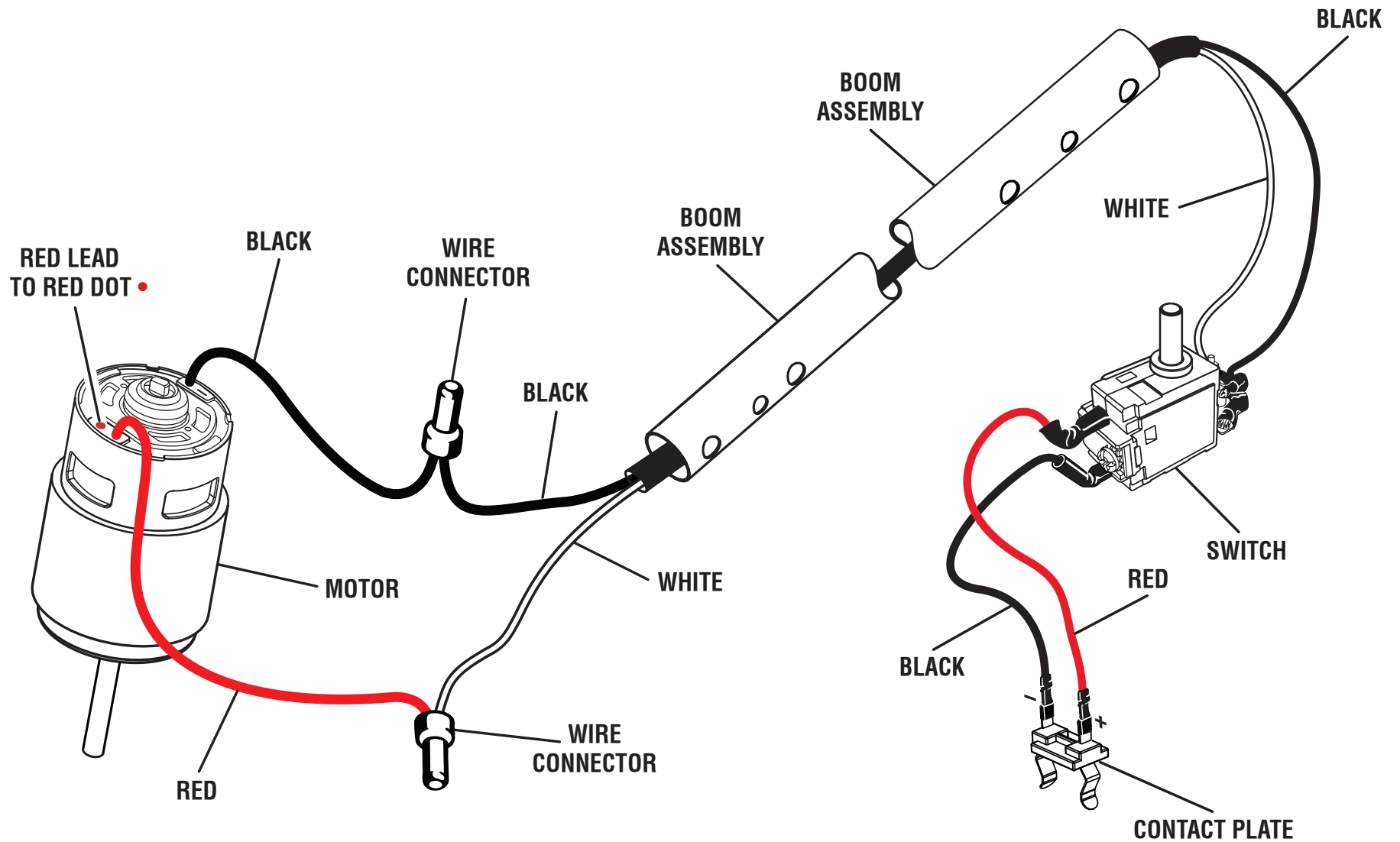
The model number will be found on a label attached to the upper boom. Always mention the model number in all correspondence regarding your **STRING TRIMMER** or when ordering replacement parts.

PARTS LIST – FIGURE B

KEY NO.	PART NUMBER	DESCRIPTION	QTY
1	661817001	Screw (M4 x 18 mm, Torx Socket Hd.)	13
2	313562001	Handle Housing Assembly w/Label (Inc. Key No. 15).....	1
3	313290001	Switch, Contact Plate Assembly and Wire Harness.....	1
4	351183001	Switch Trigger and Lock-Out Assembly	1
5	679406001	Lock-Out Compression Spring	1
6	679973002	Trigger Compression Spring	1
7	523001001	Strain Relief Plate.....	1
8	313461001	Upper Tube Assembly (Inc. Key Nos. 10-12).....	1
9	661848001	Screw (M5 x 10 mm)	2
10	941588208	Data Label.....	1
11	940657185	Warning Icon Label	1
12	940006271	Warning Label (Upper End).....	1
13	660643008	Screw (1/4-20 x 40 mm, Hex Cap Hd.).....	1
14	518949001	Wing Nut (1/4-20).....	1
15	940705308	Logo Label (Upper End).....	2
16	308991003	Auxiliary Handle Assembly (Inc. Key Nos. 13-14)	1

*** Standard Hardware Item – May Be Purchased Locally at The Home Depot

RYOBI CORDLESS STRING TRIMMERS - ITEM NUMBER P20010



WIRING DIAGRAM