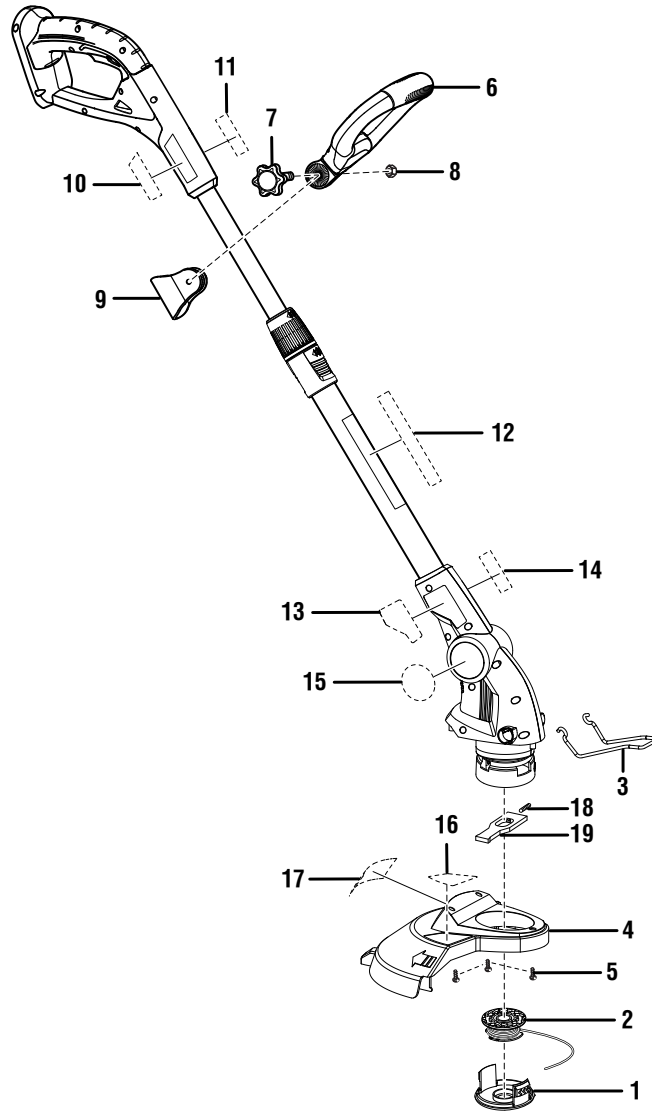


RYOBI P2002 18 VOLT STRING TRIMMER

The model number will be found on a label attached to the motor housing. Always mention the model number in all correspondence regarding your **STRING TRIMMER** or when ordering replacement parts.



PARTS LIST

Key Part No.	Number	Description	Qty.	Key Part No.	Number	Description	Qty.
1	3411546BG	Spool Cap (AC14HC).....	1	13	099959001906	Warning Label (French/Spanish).....	1
2	3110382G	Spool w/Line (AC14RSL).....	1	14	099959001902	18V Lithium Ion Label.....	1
3	3330182G	Edger Guide.....	1	15	099959001904	Pivoting Head Label.....	1
4	31103345G	Grass Deflector Assembly.....	1	16	099959001903	Auto Line Feed Label.....	1
5	31106181G	Screw (M4 x 10 mm).....	3	17	099959001900	Logo Label (Shield).....	1
6	31109345G	Front Handle.....	1	18	679034001	Compression Spring.....	1
7	3410705BG	Knob Screw (M6).....	1	19	310920001	Slider Assembly.....	1
8	3290205G	Hex Nut (M6).....	1	NOT SHOWN			
9	31104181G	Clamp.....	1	130429017	Battery (P104).....	1	
10	099959001905	Warning and Data Label (Handle).....	1	140501001	Charger (P113).....	1	
11	099959001901	Logo Label (Handle).....	1	140501005			
12	099959001907	Warning Label (Icon).....	1	987000887	Operator's Manual		