

**18 Volt String Trimmer/Edger
Model No. P2006A
Repair Sheet**

TECHTRONIC INDUSTRIES NORTH AMERICA, INC.

1428 Pearman Dairy Road, Anderson, SC 29625

Phone 1-800-860-4050

www.ryobitools.com

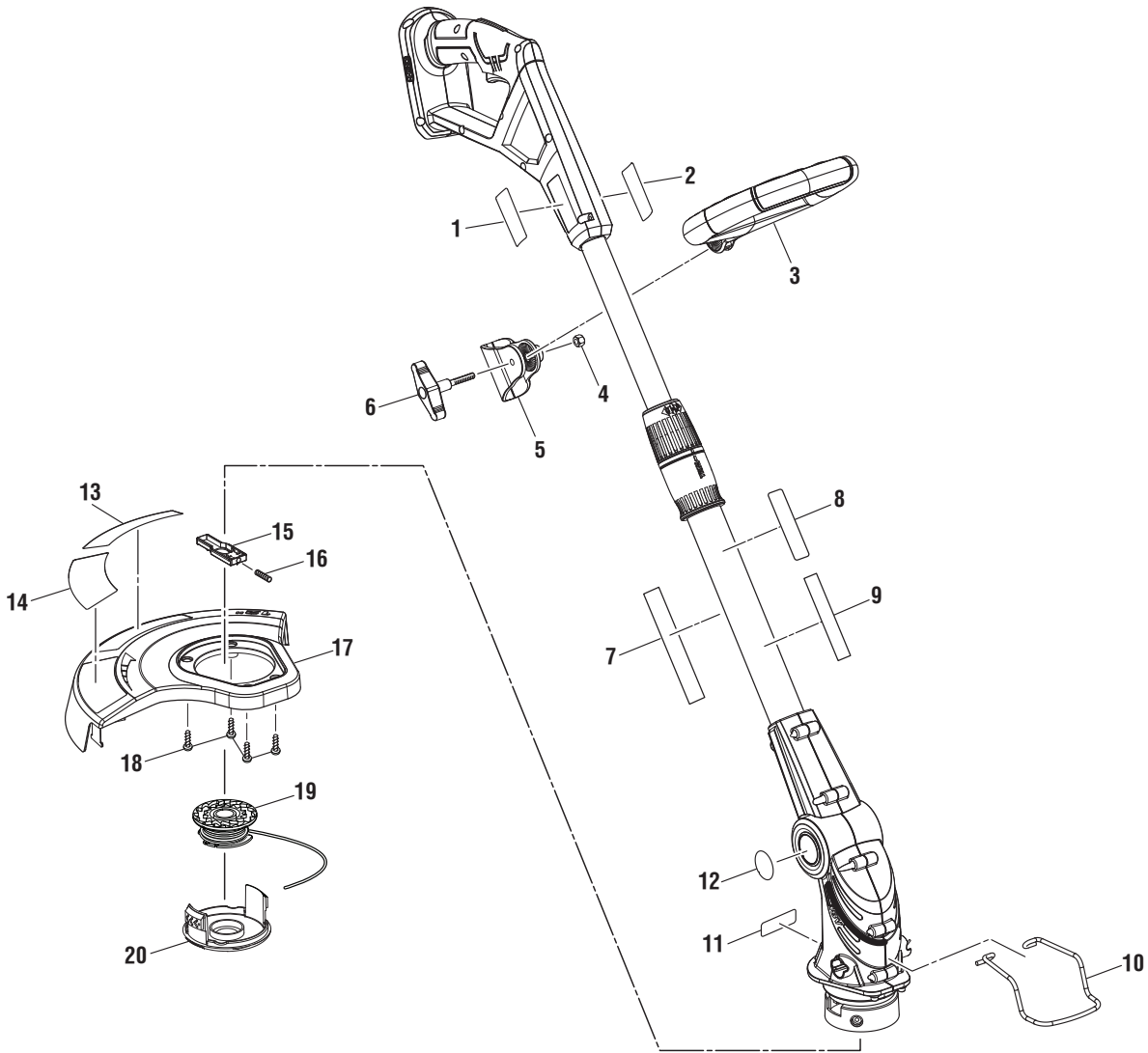
A subsidiary of Techtronic Industries Co., Ltd. • OTC: TTNDY

990000707

4-21-15 (REV:01)

RYOBI P2006A 18 VOLT STRING TRIMMER/EDGER

The model number will be found on a label attached to the motor housing. Always mention the model number in all correspondence regarding your **STRING TRIMMER/EDGER** or when ordering replacement parts.



PARTS LIST

Key Part No. Number	Description	Qty	Key Part No. Number	Description	Qty		
1	940115125	Data Label	1	12	941529002	Pivoting Head Label	1
2	941545001	Logo Label (Handle)	1	13	941528003	Auto Line Feed Label	1
3	523409001	Front Handle.....	1	14	941606001	Adjustable Cutting Width Label....	1
4	680196006	Hex Nut (M6)	1	15	310920001	Slider Assembly.....	1
5	310921001	Clamp	1	16	679034001	Compression Spring.....	1
6	522983001	Knob Screw (M6).....	1	17	310922003	Grass Deflector Assembly.....	1
7	940006271	Warning Label (Fr/Sp).....	1	18	660208055	Screw (M4 x 12 mm).....	4
8	940657071	Warning Label (Icon).....	1	19	310917001	Spool w/Line (AC14RSLA).....	1
9	941527003	18V Lithium-Ion Label	1	20	522994001	Spool Cap (AC14HCA)	1
10	638846002	Edger Guide	1	NOT SHOWN			
11	099929001900	Logo Label (Housing)	1	990000707	Operator's Manual		