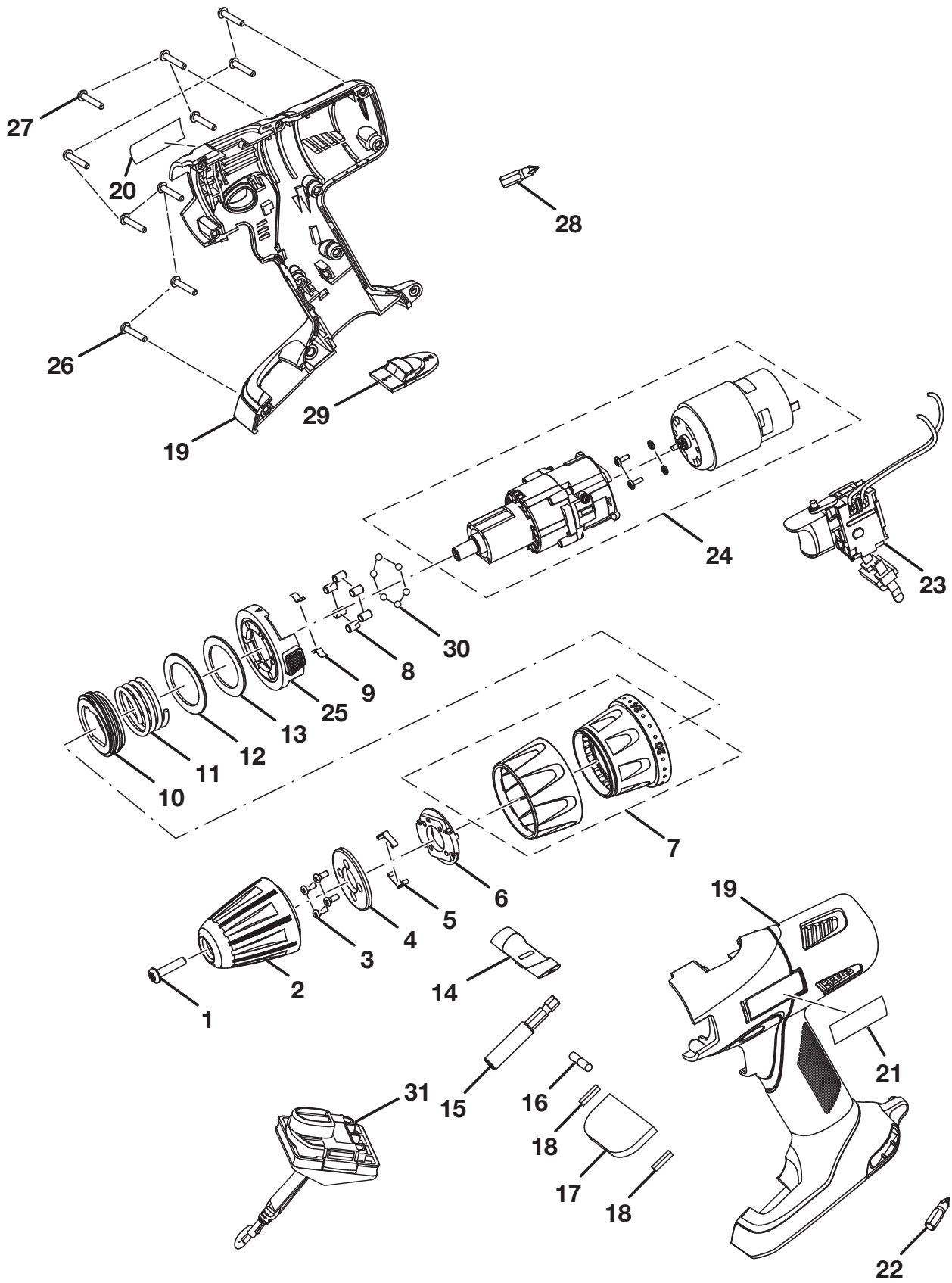


RYOBI 1/2 in. (13 mm) DRILL-DRIVER – MODEL NUMBER P201



RYOBI 1/2 in. (13 mm) DRILL-DRIVER – MODEL NUMBER P201

The model number will be found on a plate attached to the motor housing. Always mention the model number in all correspondence regarding your **Drill-Driver** or when ordering repair parts.

PARTS LIST

KEY NO.	PART NUMBER	DESCRIPTION	QTY.
1	6613402	SCREW (M6 X 1.0 X 27 mm PAN HD.)	1
2	690032023	1/2 in. CHUCK.....	1
3	660204007	SCREW (M3 X 18 mm)	4
4	631502001	MOUNTING PLATE	1
5	6392201	SPRING PLATE	2
6	540346011	SPRING HOLDER.....	1
7	301319001	CLUTCH CAP ASSEMBLY	1
8	680338023	PIN.....	6
9	631503001	SPRING PLATE (0.3 mm).....	2
10	5501401	SLEEVE.....	1
11	6872401	TORQUE CONTROL SPRING	1
12	672025001	WASHER.....	1
13	671994003	CLUTCH WASHER (.3 mm).....	1
	671994001	CLUTCH WASHER (.2 mm)	1
14	343547001	FORWARD/REVERSE SELECTOR	1
15	670283003	BIT HOLDER.....	1
16	5621901	CONTACT PLATE STOPPER.....	2
17	300823002	MAGNET.....	1
18	560444002	FOAM RUBBER	2
19	200105023	HOUSING ASSEMBLY	1
20	940054115	LOGO LABEL	1
21	940260100	DATA LABEL	1
22	670800032	SINGLE BIT	1
23	270023174	SWITCH ASSEMBLY	1
24	200293070	MOTOR & GEAR TRAIN ASSEMBLY	1
25	343550001	BYPASS RING	1
26	6620614	SCREW (M3.5 X 14 mm PAN HD.)	7
27	660004007	SCREW (M3 X 12 mm PAN HD.)	3
28	670804025	SINGLE BIT	1
29	343552004	2-SPEED CHANGE KNOB	1
30	6721901	BALL (Ø5.0 mm).....	6
31	200292003	PLUG IN LANYARD	1
	983000750	OPERATOR'S MANUAL (960223637)	
	11-30-10		
	(REV:05)		