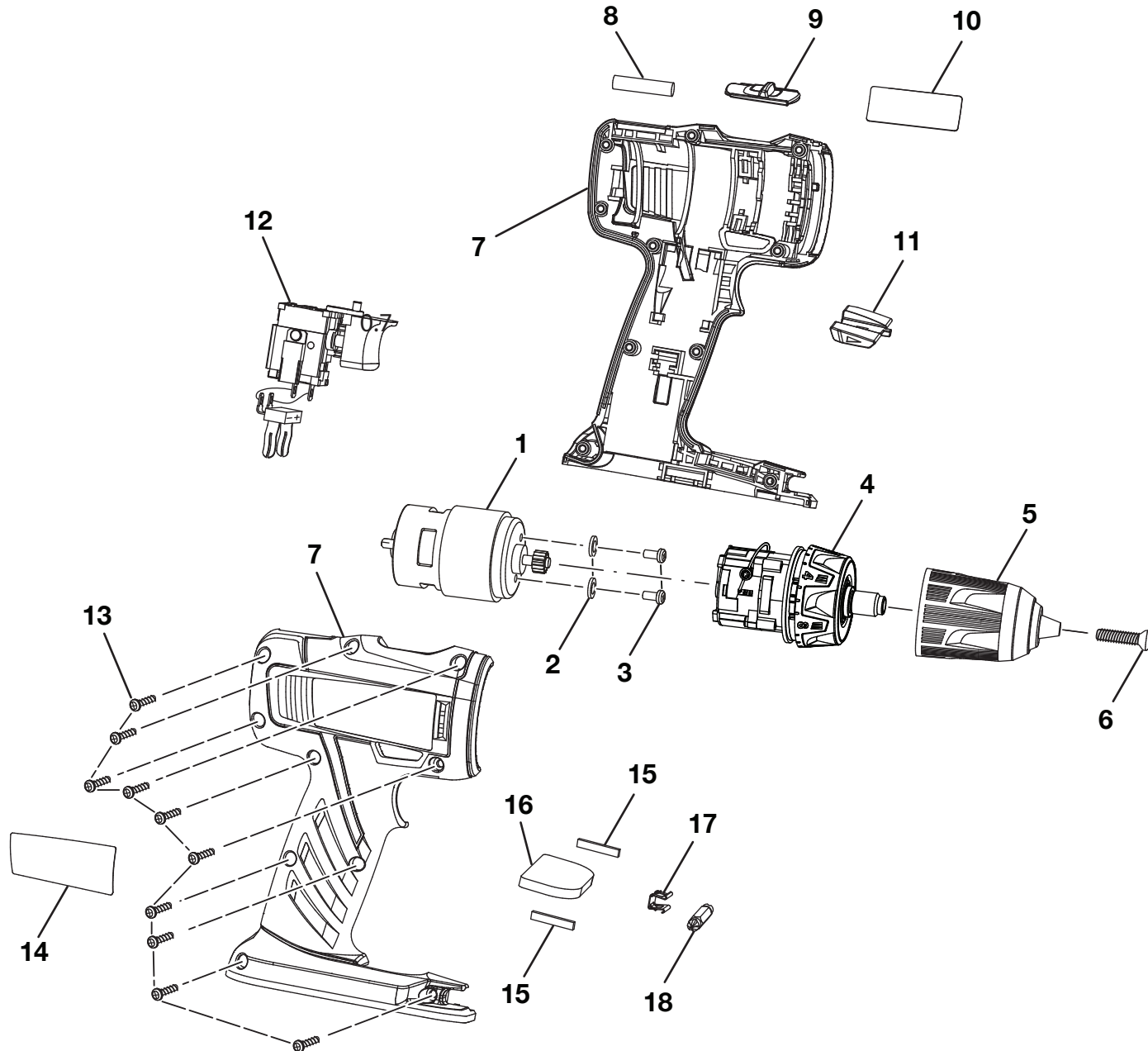


RYOBI 1/2 in. (13 mm) DRILL-DRIVER – MODEL NUMBER P202



**RYOBI 1/2 in. (13 mm) DRILL-DRIVER – MODEL NUMBER P202**

The model number will be found on a label attached to the motor housing. Always mention the model number in all correspondence regarding your **Drill-Driver** or when ordering repair parts.

**PARTS LIST**

<b>KEY NO.</b>	<b>PART NUMBER</b>	<b>DESCRIPTION</b>	<b>QTY</b>	<b>KEY NO.</b>	<b>PART NUMBER</b>	<b>DESCRIPTION</b>	<b>QTY</b>
1	230079018	Motor & Pinion Assembly.....	1	12	270001392	Switch Assembly.....	1
2	6703001	Washer .....	2	13	660031012	Screw (M3.5 x 14 mm) .....	10
3	6621205	Screw (M4 x 8 mm) .....	2	14	940976272	Data Label.....	1
4	200737001	Clutch Cap & Gear Train Assembly.....	1	15	560444002	Foam Rubber .....	2
5	690033084	Chuck (1/2 in.).....	1	16	300823003	Magnet.....	1
6	6613402	Screw (M6 x 27 mm).....	1	17	6320601	Bit Clip .....	1
7	200690001	Housing Assembly .....	1	18	6782045	Double Ended Bit (PH2 & S6 x 50 mm) .....	1
8	3000909	Top Level Assembly .....	1		987000345	Operator's Manual (961067050)	
9	517098001	2-Speed Change Knob .....	1		10-11-11		
10	940114178	Logo Label .....	1		(Rev:03)		
11	517099001	Forward/Reverse Selector .....	1				