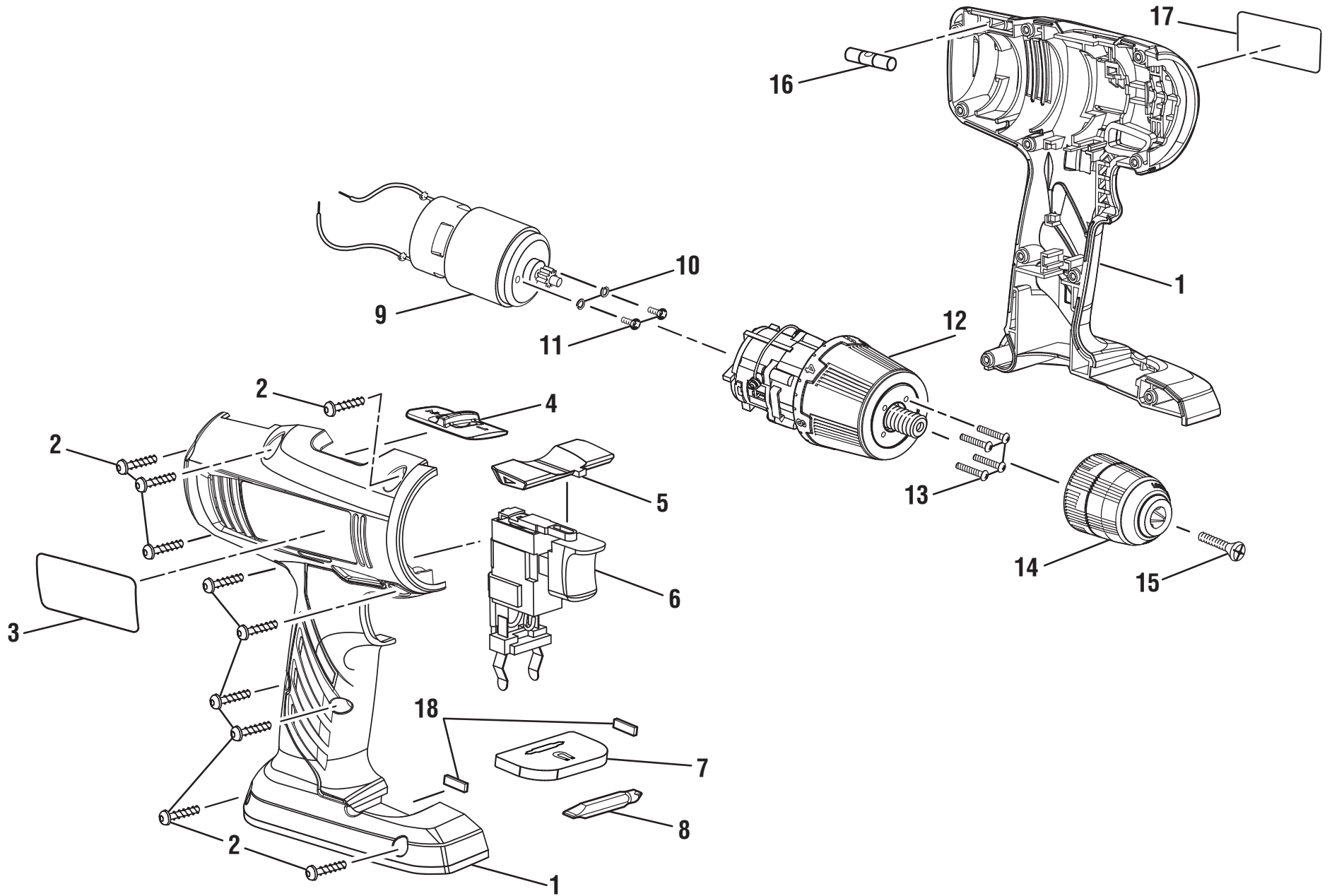


RYOBI ONE+
3/8 in. TWO SPEED
18 VOLT DRILL-DRIVER
MODEL NUMBER P209
REPAIR SHEET

RYOBI 3/8 in. TWO SPEED DRILL-DRIVER – MODEL NUMBER P209



RYOBI 3/8 in. TWO SPEED DRILL-DRIVER – MODEL NUMBER P209

The model number will be found on a label attached to the motor housing. Always mention the model number in all correspondence regarding your **DRILL-DRIVER** or when ordering repair parts.

PARTS LIST

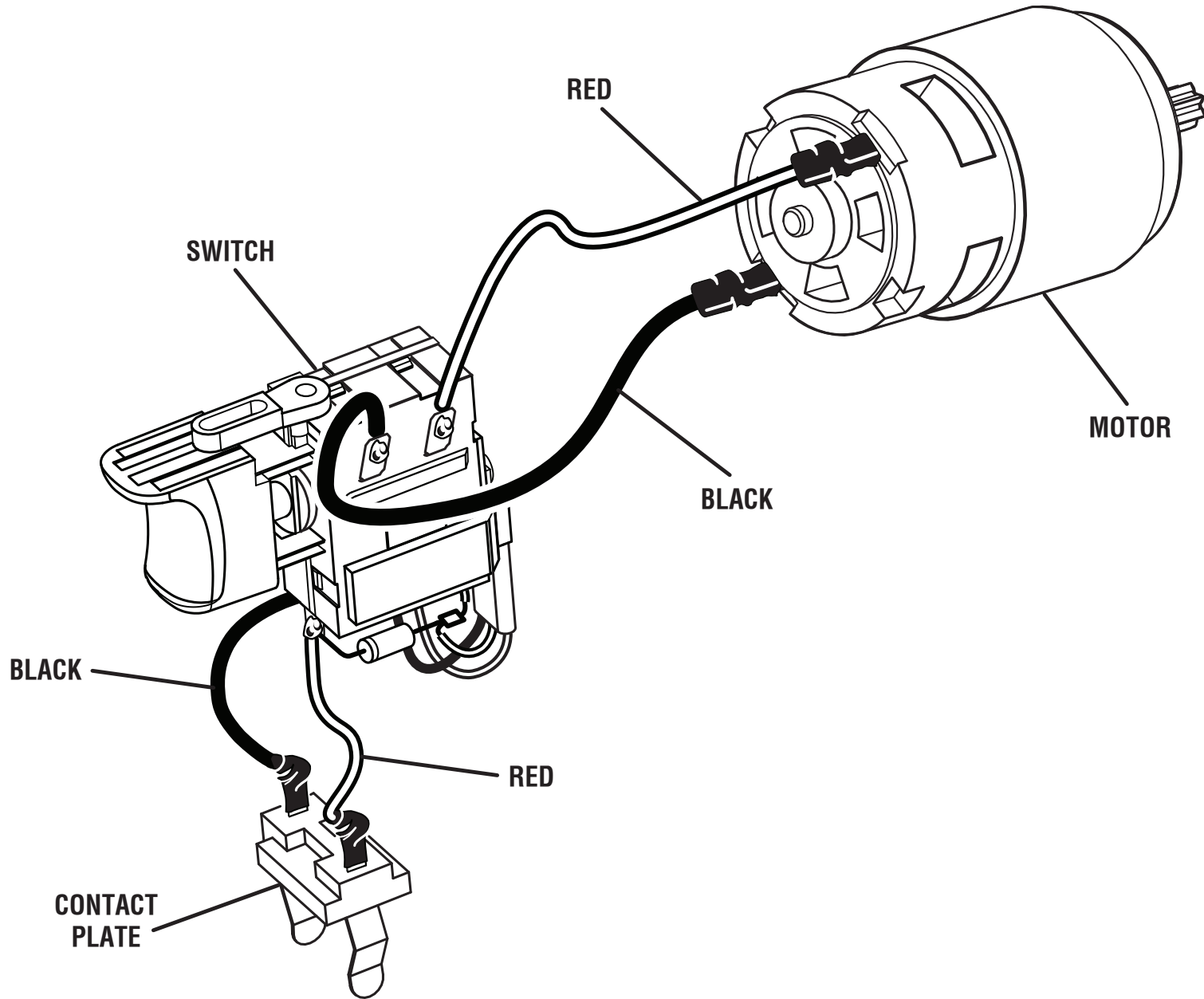
KEY NO.	PART NUMBER	DESCRIPTION	QTY
1	200773003	Housing Assembly	1
2	660206041	Screw (M3.5 x 14 mm)	10
3	941121363	Data Label.....	1
4	516318007	Gear Change Button.....	1
5	517901004	Forward/Reverse Selector	1
6	270001456	Switch Assembly	1
7	300823007	Magnet Assembly	1
8	6782045	Double End Bit (#2 Phillips Hd./#6 Slotted x 50 mm)	1
9	230033141	Motor and Pinion Assembly.....	1
10	670030004	Spring Washer	2
11	6621202	Screw (M4 x 10 mm).....	2

KEY NO.	PART NUMBER	DESCRIPTION	QTY
12	206275001	Clutch Cap and Gear Train Assembly	1
13	660203059	Screw (M3 x 20 mm, Chisel Hd.)	4
14	690033091	Chuck	1
15	6612003	Screw (M5 x 18.5 mm, Left Handed).....	1
16	3000909	Level Assembly.....	1
17	940114178	Logo Label.....	1
18	560444002	Foam Pad	2

Not Shown:

991000085 Operator's Manual
9-9-15
(Rev:02)

RYOBI 3/8 in. TWO SPEED DRILL-DRIVER – MODEL NUMBER P209



WIRING DIAGRAM