

**RYOBI
18 VOLT ROTARY HAMMER
MODEL NO. P222
REPAIR SHEET**

RYOBI ROTARY HAMMER – MODEL NO. P222

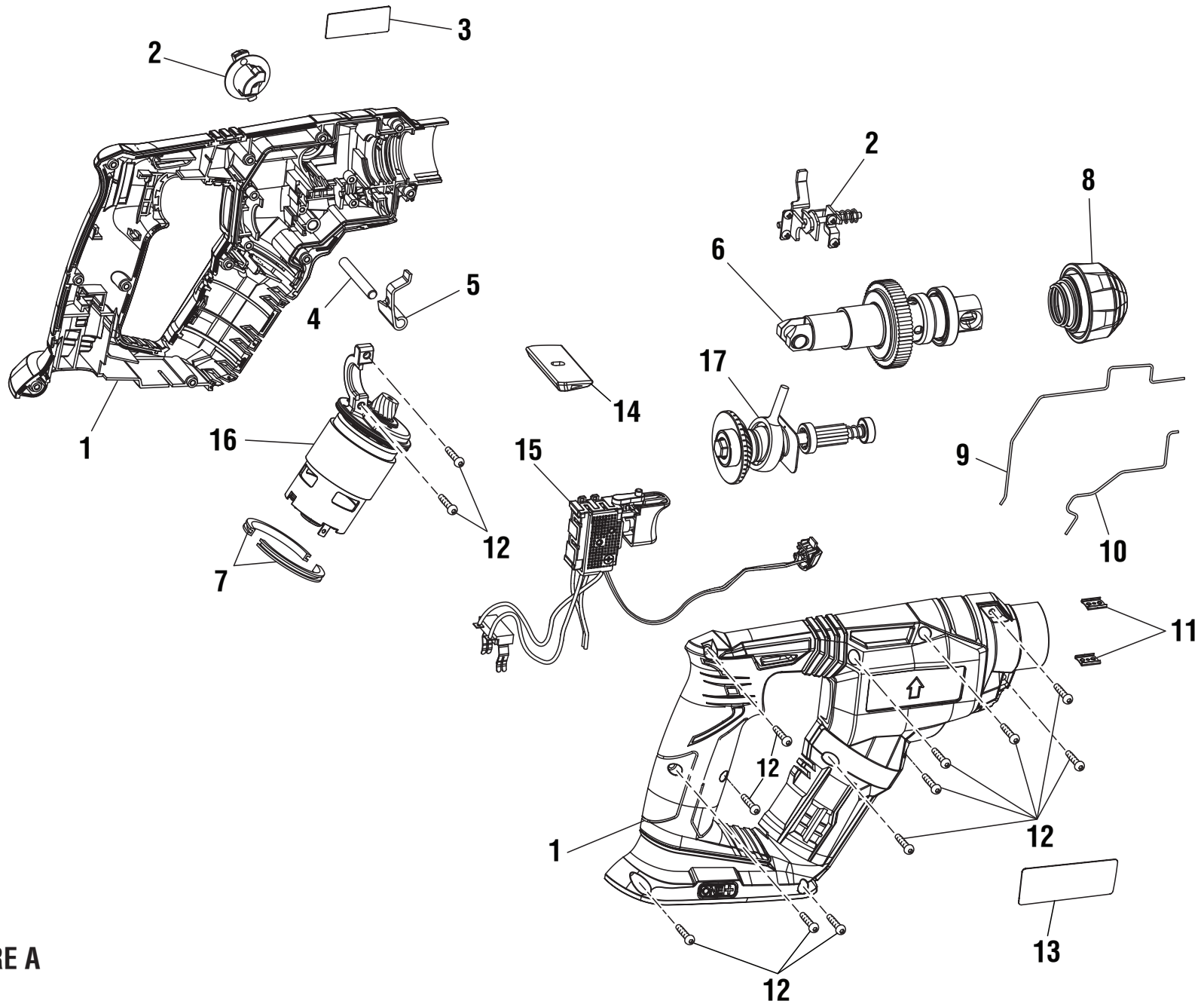


FIGURE A

RYOBI ROTARY HAMMER – MODEL NO. P222

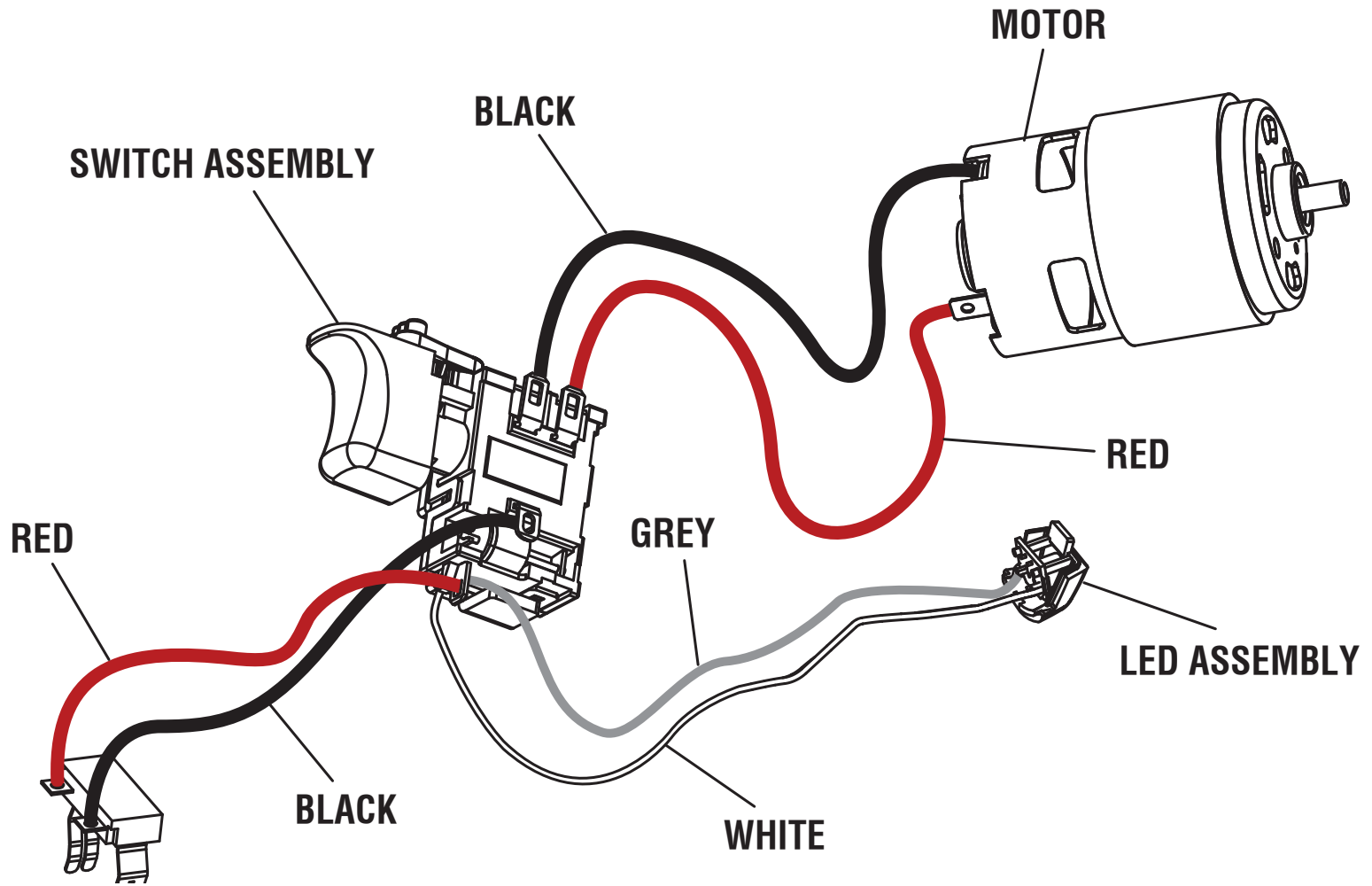
The model number will be found on a label attached to the housing. Always mention the model number in all correspondence regarding your **ROTARY HAMMER** or when ordering replacement parts.

PARTS LIST

KEY NO.	PART NUMBER	DESCRIPTION	QTY
1	203529002	Housing Assembly (Inc. Key Nos. 3 and 13).....	1
2	203224002	Mode Selection Assembly	1
3	941002195	Logo Label	1
4	673187001	Hammer Sheet Pin.....	1
5	634739002	Hammer Sheet.....	1
6	206422001	Spindle Assembly	1
7	570264001	Rubber Cushion.....	2
8	203225002	Chuck Assembly	1
9	563198001	Upper Housing Sealing Ring	1
10	T563199001	Lower Housing Sealing Ring.....	1
11	631542001	Connectors	2
12	660031012	Screw (M3.5 x 14 mm, T10 Torx Pan Hd.)	13
13	941121498	Data Label.....	1
14	527176001	Direction Of Rotation Selector (Forward/Reverse).....	1
15	203223002	Switch Assembly	1
16	206424001	Motor Assembly.....	1
17	206423001	Layshaft Assembly.....	1

Not Shown:

991000647 Operator's Manual
12-23-15
(Rev:01)



WIRING DIAGRAM