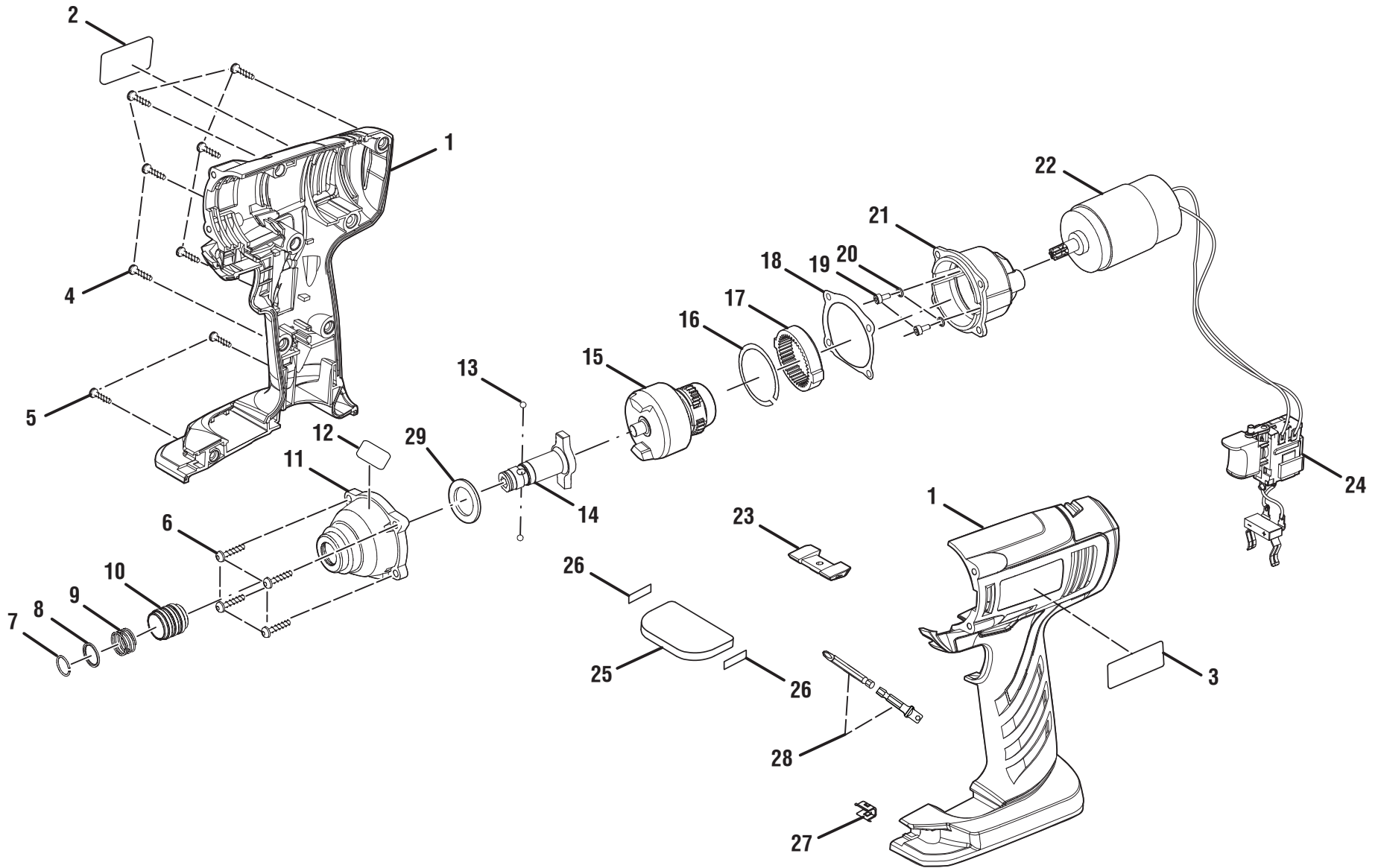


RYOBI 18 VOLT IMPACT DRIVER – MODEL NUMBER P234



## RYOBI 18 VOLT IMPACT DRIVER – MODEL NUMBER P234

The model number will be found on a label attached to the motor housing. Always mention the model number in all correspondence regarding your **IMPACT DRIVER** or when ordering repair parts.

### PARTS LIST

KEY NO.	PART NUMBER	DESCRIPTION	QTY	KEY NO.	PART NUMBER	DESCRIPTION	QTY
1	201802002	Housing Assembly.....	1	18	901043001	Plate .....	1
2	940488304	Data Label .....	1	19	660212045	Screw (M4 x 7 mm) .....	2
3	940114155	Logo Label.....	1	20	670030004	Spring Washer .....	2
4	660208052	Screw (M4 x 16 mm).....	6	21	640766001	Inner Case .....	1
5	660206042	Screw (M3.5 x 16 mm).....	2	22	230081003	Motor and Pinion Assembly .....	1
6	660436006	Screw (M4 x 25 mm).....	4	23	519079002	Forward/Reverse Selector.....	1
7	690258001	Retaining Ring .....	1	24	270001508	Switch Assembly .....	1
8	690266001	Washer (OD15.4 mm x ID12.4 mm x 1t).....	1	25	300823005	Magnet .....	1
9	690261001	Spring .....	1	26	560444002	Foam Rubber.....	2
10	690260003	Sleeve.....	1	27	630206007	Bit Clip.....	1
11	300639008	Gear Case and Sleeve Bearing Assembly.....	1	28	120090003	Bit and Bit Adaptor.....	1
12	940221063	Warning Label .....	1	29	690249001	Washer (OD29 mm x ID19 mm x 2t).....	1
13	690268001	Steel Ball .....	2	<b>NOT SHOWN:</b>			
14	690257016	Bit Holder .....	1	988000616	Operator's Manual.....		1
15	300640015	Cam Shaft and Hammer Assembly .....	1	2-18-13 (REV:02)			
16	690256001	Retaining Ring .....	1				
17	610275001	Internal Gear.....	1				
	610275005	Internal Gear (Optional) .....	1				