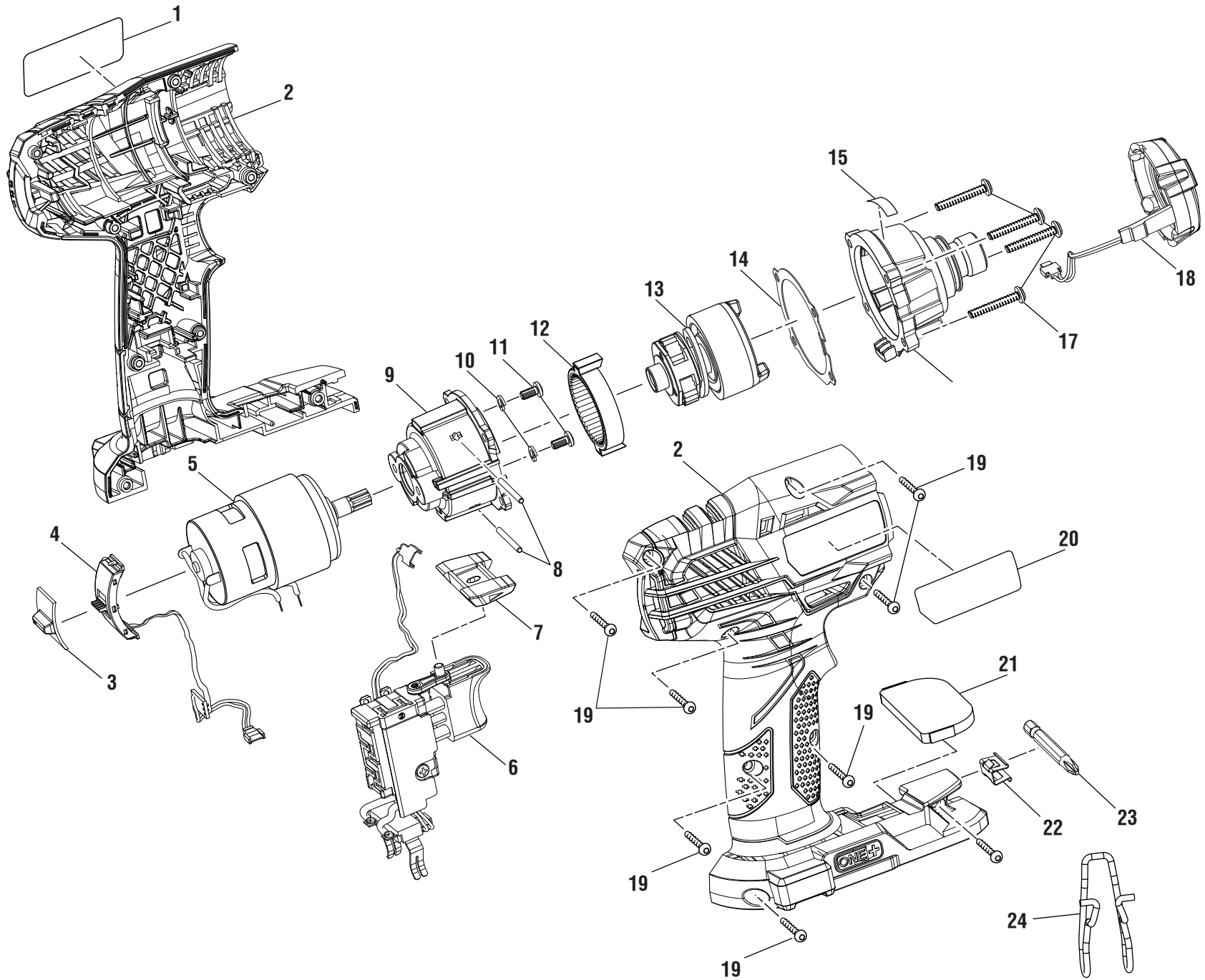


RYOBI
18 Volt Impact Driver
Model Number P237
Repair Sheet

ONE WORLD TECHNOLOGIES, INC.
P.O. Box 1288, Anderson, SC 29622 • Phone 1-877-205-5714
www.ryobitools.com

RYOBI 18 VOLT IMPACT DRIVER – MODEL NUMBER P237



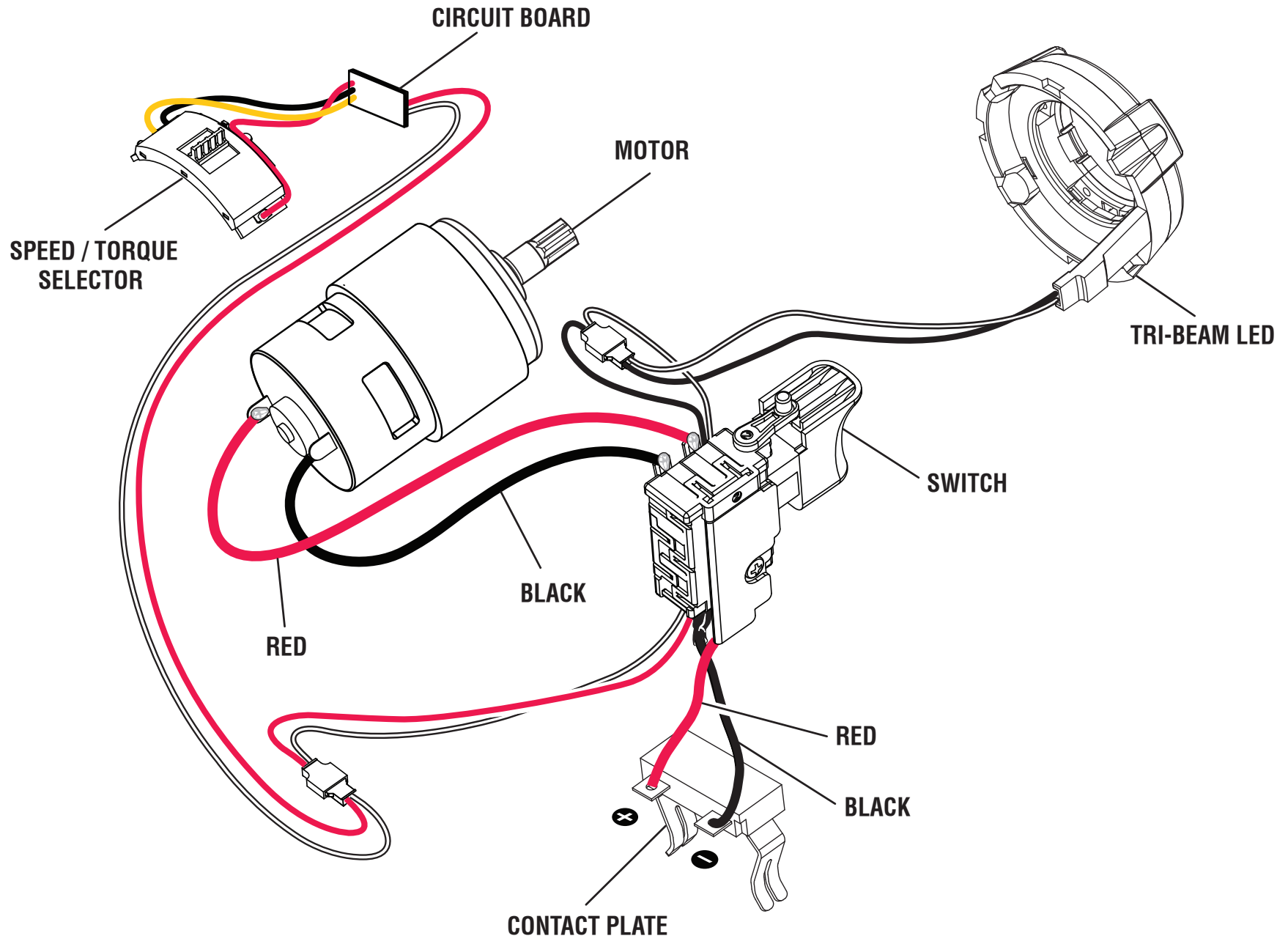
RYOBI 18 VOLT IMPACT DRIVER – MODEL NUMBER P237

The model number will be found on a label attached to the motor housing. Always mention the model number in all correspondence regarding your **IMPACT DRIVER** or when ordering repair parts.

PARTS LIST

KEY NO.	PART NUMBER	DESCRIPTION	QTY	KEY NO.	PART NUMBER	DESCRIPTION	QTY
1	940114178	Logo Label.....	1	15	940221063	Hot Surface Warning Label	1
2	203736006	Housing Assembly (Inc. Key Nos. 1 and 20)	1	16	203736003	Front Gear Case Assembly (Inc. Key 15).....	1
3	529480001	Speed/Torque Selector.....	1	17	660436006	Screw (M4 x 1 in., T20 Torx Hd.)	4
4	204736005	Speed Switch Assembly	1	18	291207002	LED Assembly	1
5	230377002	Motor Assembly	1	19	660206042	Screw (M3.5 x 16 mm, Pan Hd.)	8
6	203736004	Switch Assembly	1	20	941121601	Data Label	1
7	523179001	Direction Of Rotation Selector	1	21	303001052	Magnet Assembly.....	1
8	680334036	Pin	2	22	630206007	Bit Clip.....	1
9	202720001	Inner Case Assembly.....	1	23	670802034	Bit (#2 Phillips x 50 mm).....	1
10	670030004	Spring Washer	2	24	696626001	Belt Clip.....	1
11	660212046	Screw (M4 x 8 mm, Pan Hd.)	2	NOT SHOWN:			
12	610449039	Ring Gear	1	991000709	Operator's Manual		
13	202654001	Cam Shaft and Hammer Assembly	1	5-16-19			
14	902807001	Gasket	1	(Rev:04)			

RYOBI 18 VOLT IMPACT DRIVER – MODEL NUMBER P237



WIRING DIAGRAM