

RYOBI
18 VOLT IMPACT DRIVER
MODEL NUMBER P238
REPAIR SHEET

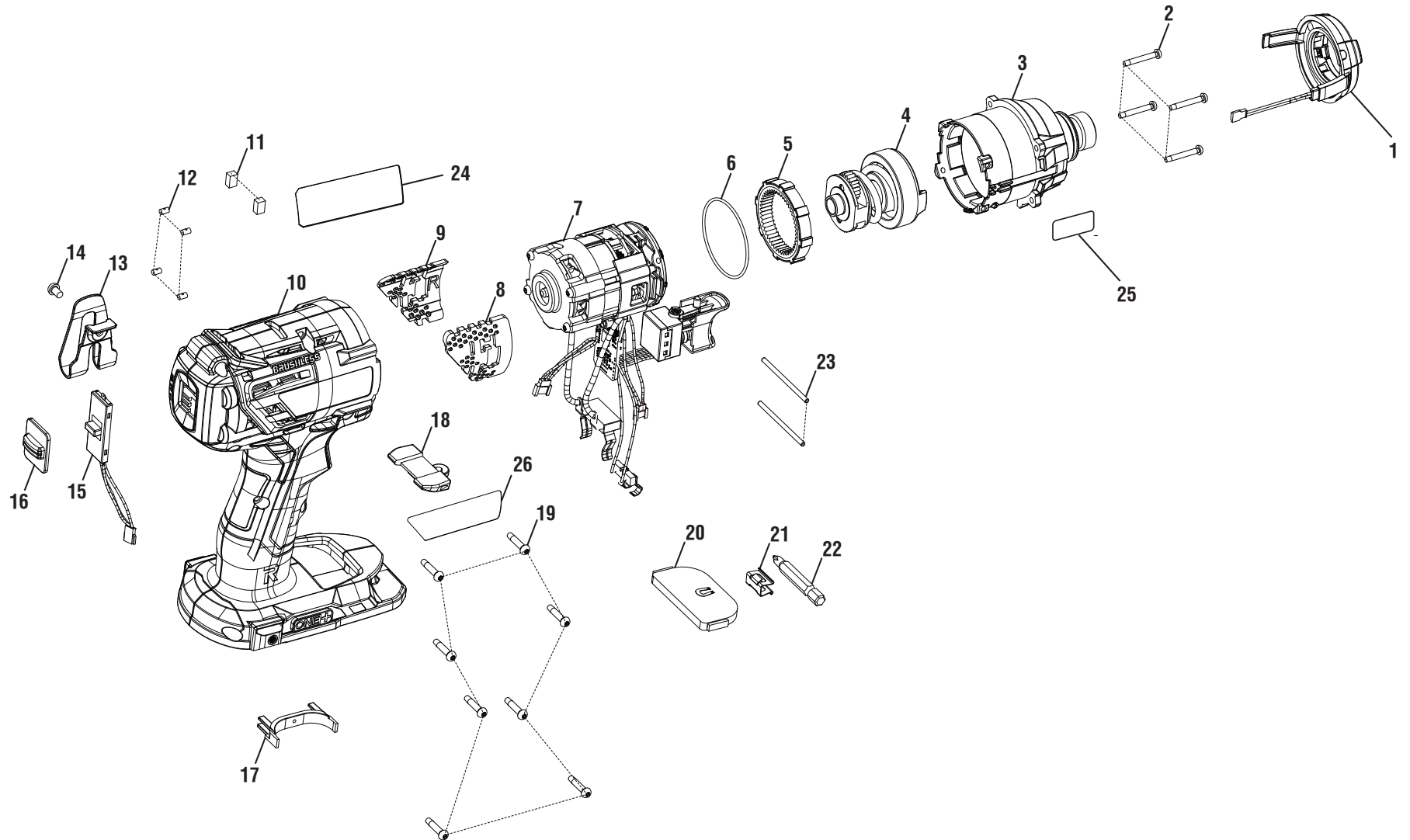
Techtronic Industries Power Equipment, Inc.

1428 Pearman Dairy Road, Anderson, SC 29625

Phone 1-800-860-4050

www.ryobitools.com

RYOBI 18 VOLT IMPACT DRIVER – MODEL NUMBER P238



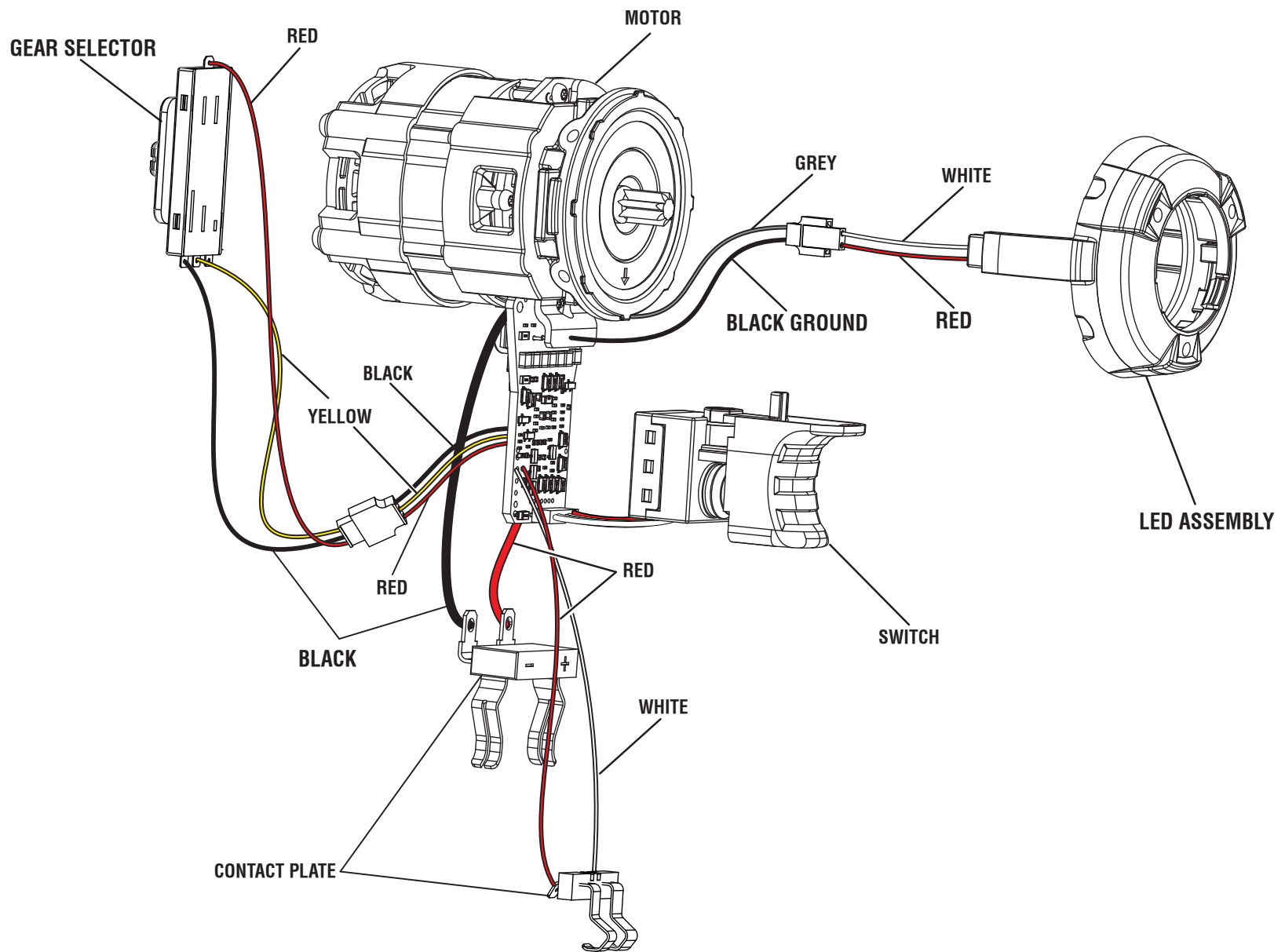
RYOBI 18 VOLT IMPACT DRIVER – MODEL NUMBER P238

The model number will be found on a label attached to the motor housing. Always mention the model number in all correspondence regarding your **IMPACT DRIVER** or when ordering repair parts.

PARTS LIST

KEY NO.	PART NUMBER	DESCRIPTION	QTY	KEY NO.	PART NUMBER	DESCRIPTION	QTY
1	204759001	LED Assembly	1	17	531864001	Cover	1
2	660187003	Screw (M3 x 22 mm, T10 Torx Pan Hd.).....	4	18	532068001	Direction Of Rotation Selector (Forward/Reverse)	1
3	206672001	Gear Case Assembly	1	19	660031017	Screw (M3.5 x 16 mm, Torx Pan Hd.).....	8
4	206673001	Gear Box Assembly.....	1	20	303001015	Magnet Assembly.....	1
5	611574026	Ring Gear	1	21	630206007	Bit Clip.....	1
6	563098003	O-Ring	1	22	670802034	Bit (#2 Phillips x 50 mm).....	1
7	206674001	Motor, Circuit Board and Switch Assembly	1	23	680334044	Pin	2
8	532316001	Mesh for Housing Cover	1	24	940114178	Logo Label.....	1
9	532315001	Mesh for Housing Support.....	1	25	940221063	Warning Label	1
10	204760001	Housing Assembly.....	1	26	941121836	Data Label	1
11	564352001	Bumper	2	NOT SHOWN:			
12	562951001	Cushion	4	995000266	Operator's Manual		
13	636181001	Belt Hook.....	1	8-15-17	(Rev:01)		
14	660414007	Screw (M4 x 6 mm, T20 Torx Pan Hd.).....	1				
15	760535007	Switch Assembly	1				
16	528796001	Gear Selector Knob.....	1				

RYOBI 18 VOLT IMPACT DRIVER – MODEL NUMBER P238



WIRING DIAGRAM