

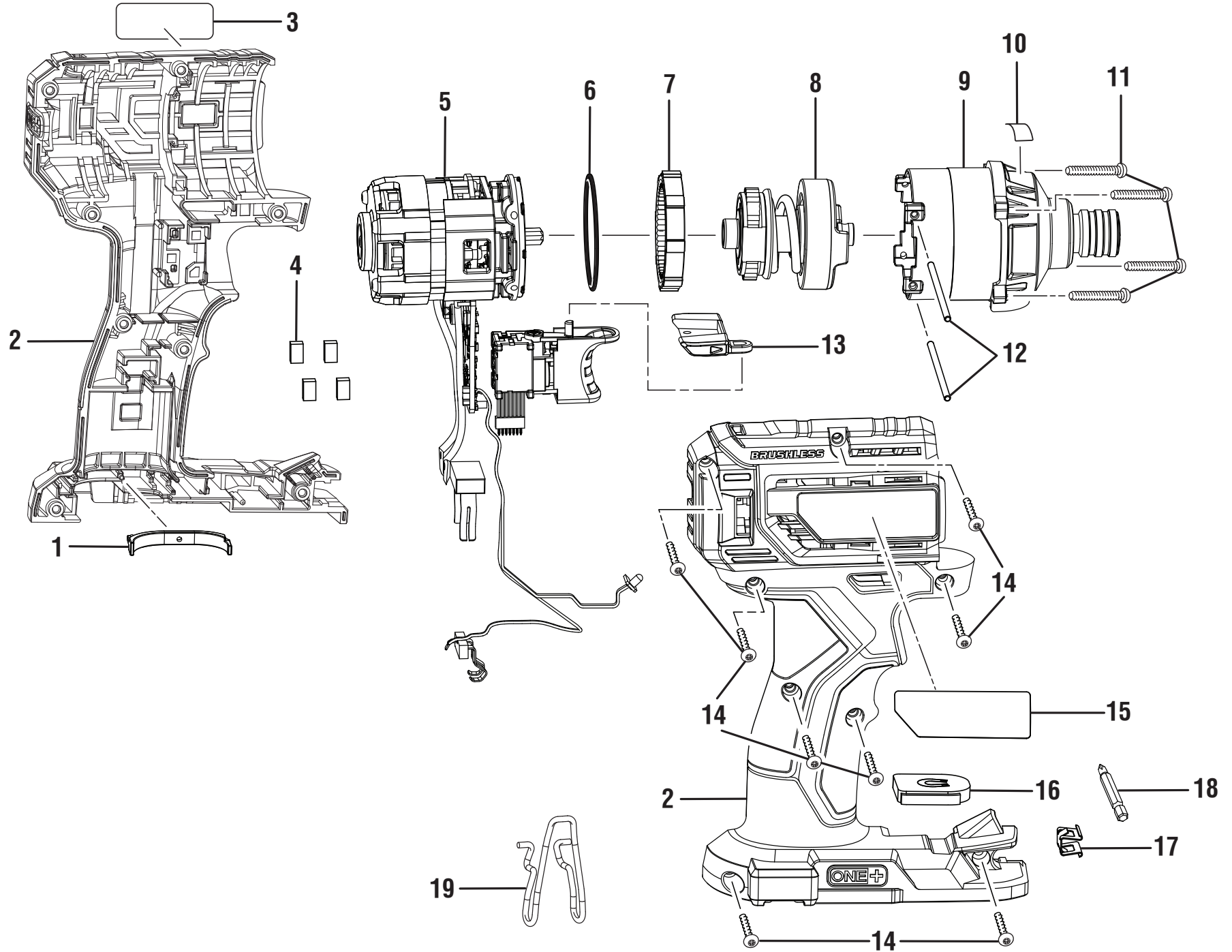
**RYOBI
18 VOLT IMPACT DRIVER
MODEL NUMBER P239
REPAIR SHEET**

ONE WORLD TECHNOLOGIES, INC.

1428 Pearman Dairy Road, Anderson, SC 29625 • Phone 1-800-525-2579

www.ryobitools.com

RYOBI 18 VOLT IMPACT DRIVER – MODEL NUMBER P239



RYOBI 18 VOLT IMPACT DRIVER – MODEL NUMBER P239

The model number will be found on a label attached to the motor housing. Always mention the model number in all correspondence regarding your **18V IMPACT DRIVER** or when ordering repair parts.

PARTS LIST

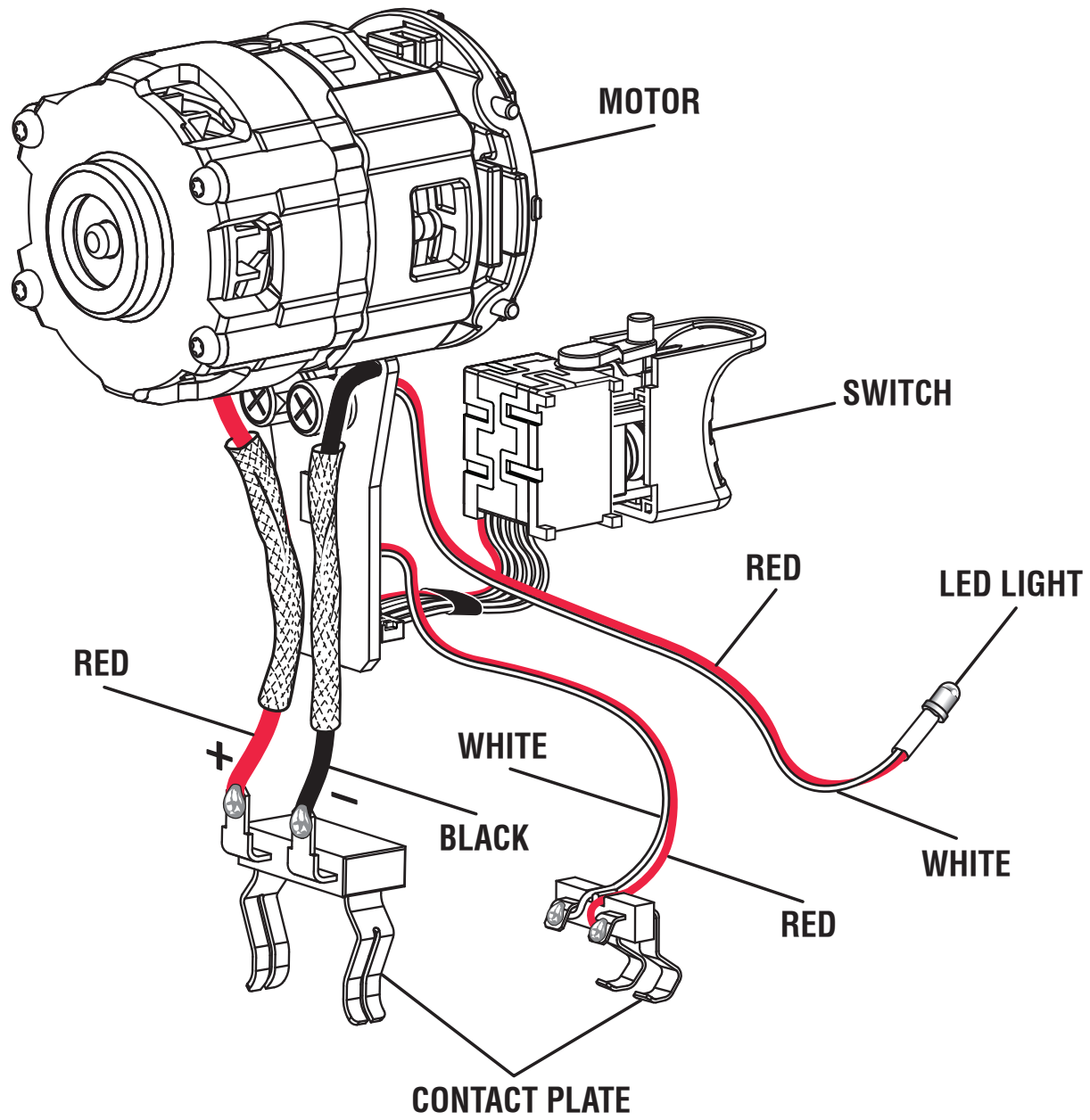
KEY NO.	PART NUMBER	DESCRIPTION	QTY
1	534378001	Cover.....	1
2	204760002	Housing Assembly (Inc. Key Nos. 3 and 15)	1
3	941655036	Logo Label.....	1
4	564352001	Cushion	4
5	206759001	Motor, Circuit Board and Switch Assembly	1
6	563098003	O-Ring.....	1
7	611574018	Ring Gear	1
8	206758001	Gear Box Assembly.....	1
9	206757001	Gear Case Assembly (Inc. Key No. 10)	1
10	941120374	Icon Warning Label.....	1
11	660187012	Screw (M3 x 22 mm, T10 Torx Pan Hd.).....	4
12	680334044	Pin	2
13	533837001	Direction Of Rotation Selector (Forward/Reverse)	1
14	660031017	Screw (M3.5 x 16 mm, T10 Torx Pan Hd.).....	8
15	941121984	Data Label	1
16	303001052	Magnet Assembly.....	1
17	630206007	Bit Clip.....	1
18	670802034	Bit (Phillips #2 x 50 mm).....	1
19	696626001	Belt Clip.....	1

NOT SHOWN:

995000524 Operator's Manual (961152902)

3-20-18
(Rev:01)

RYOBI 18 VOLT IMPACT DRIVER – MODEL NUMBER P239



WIRING DIAGRAM