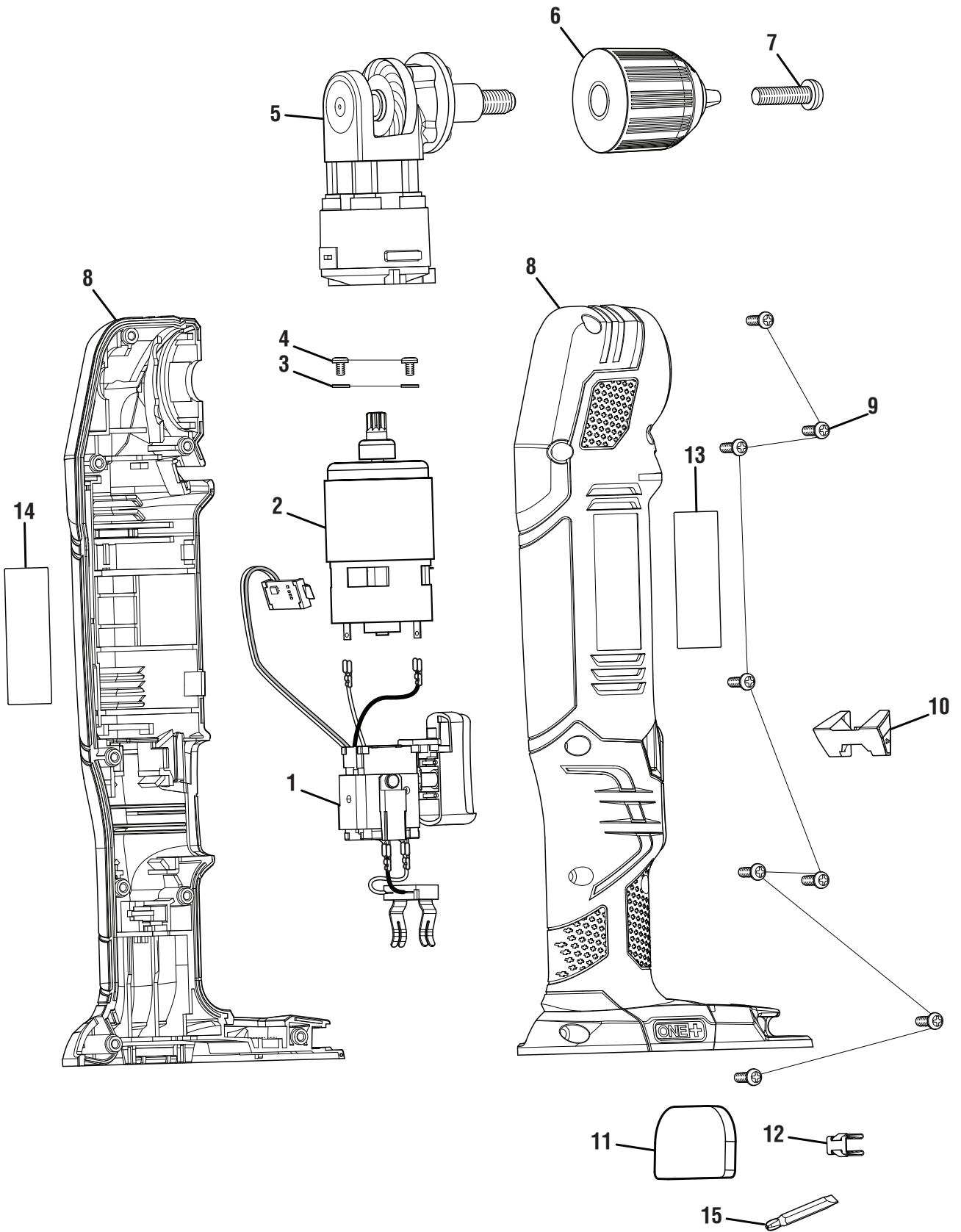


RYOBI 18V RIGHT ANGLE DRILL - MODEL NUMBER P241



RYOBI 18V RIGHT ANGLE DRILL – MODEL NUMBER P241

The model number will be found on a label attached to the motor housing. Always mention the model number in all correspondence regarding your **RIGHT ANGLE DRILL** or when ordering repair parts.

PARTS LIST

KEY NO.	PART NUMBER	DESCRIPTION	QTY.
1	270016164	Switch Assembly	1
2	230385001	Motor Assembly.....	1
3	670030004	Spring Washer (OD7.2 x ID4.1 x 1t).....	2
4	6621202	Screw (M4 x 10 mm).....	2
5	220170001	Gear Box Assembly	1
6	670756002	Keyless Chuck	1
7	6612003	Screw (M5 x 18.5 mm).....	1
8	200202554	Housing Assembly	1
9	660024049	Screw (M4 x 16 mm).....	8
10	523323001	Direction of Rotation Selector.....	1
11	303001015	Magnet Assembly	1
12	6320601	Bit Clip	1
13	940488347	Data Label.....	1
14	940304497	Logo Label	1
15	6782045	Double Ended Bit.....	1

Not Shown:

988000685 Operator's Manual (961067751)

8-9-11
(Rev:01)