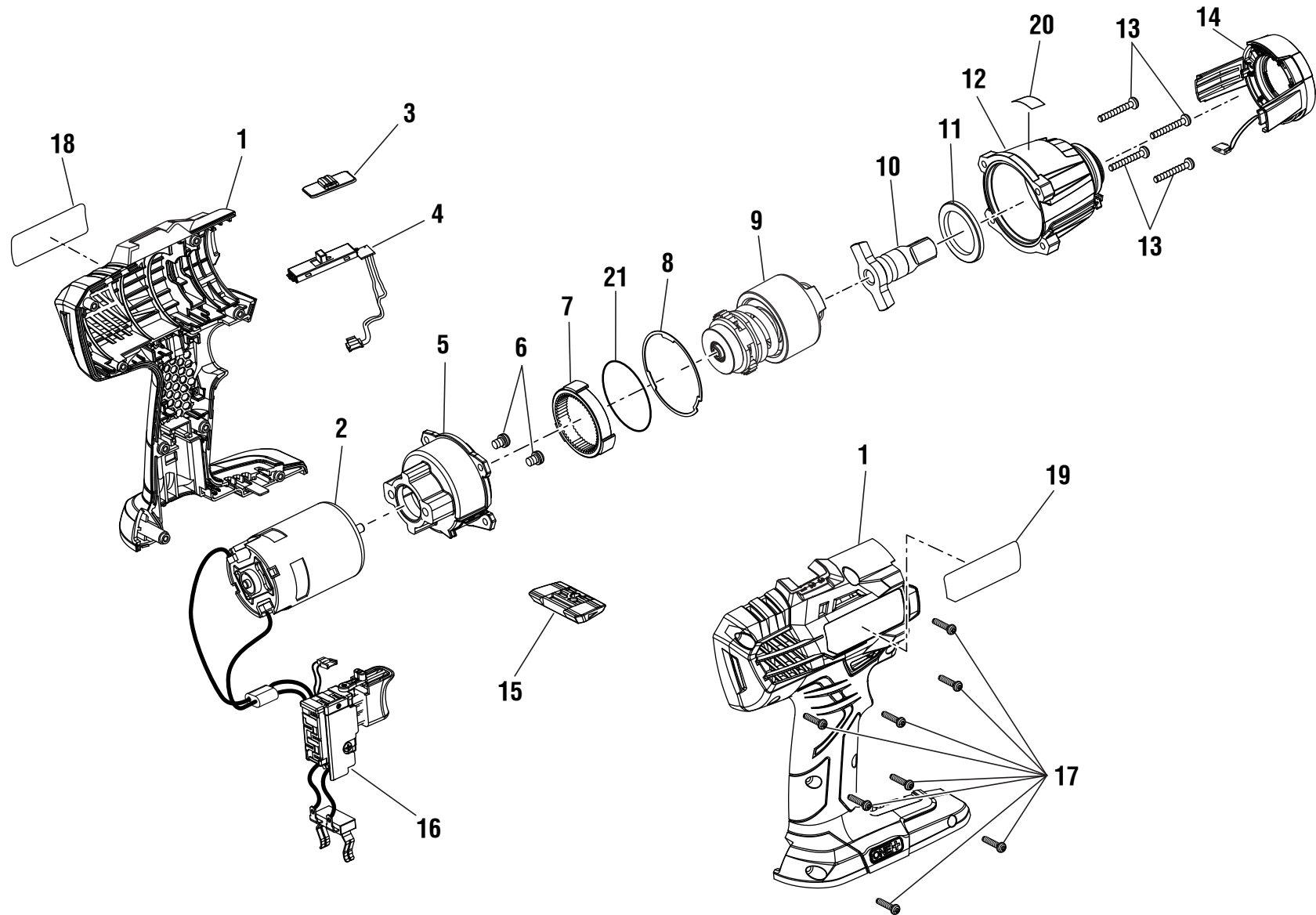


RYOBI
18 VOLT IMPACT WRENCH
MODEL NUMBER P261
REPAIR SHEET

RYOBI 18 VOLT IMPACT WRENCH – MODEL NUMBER P261



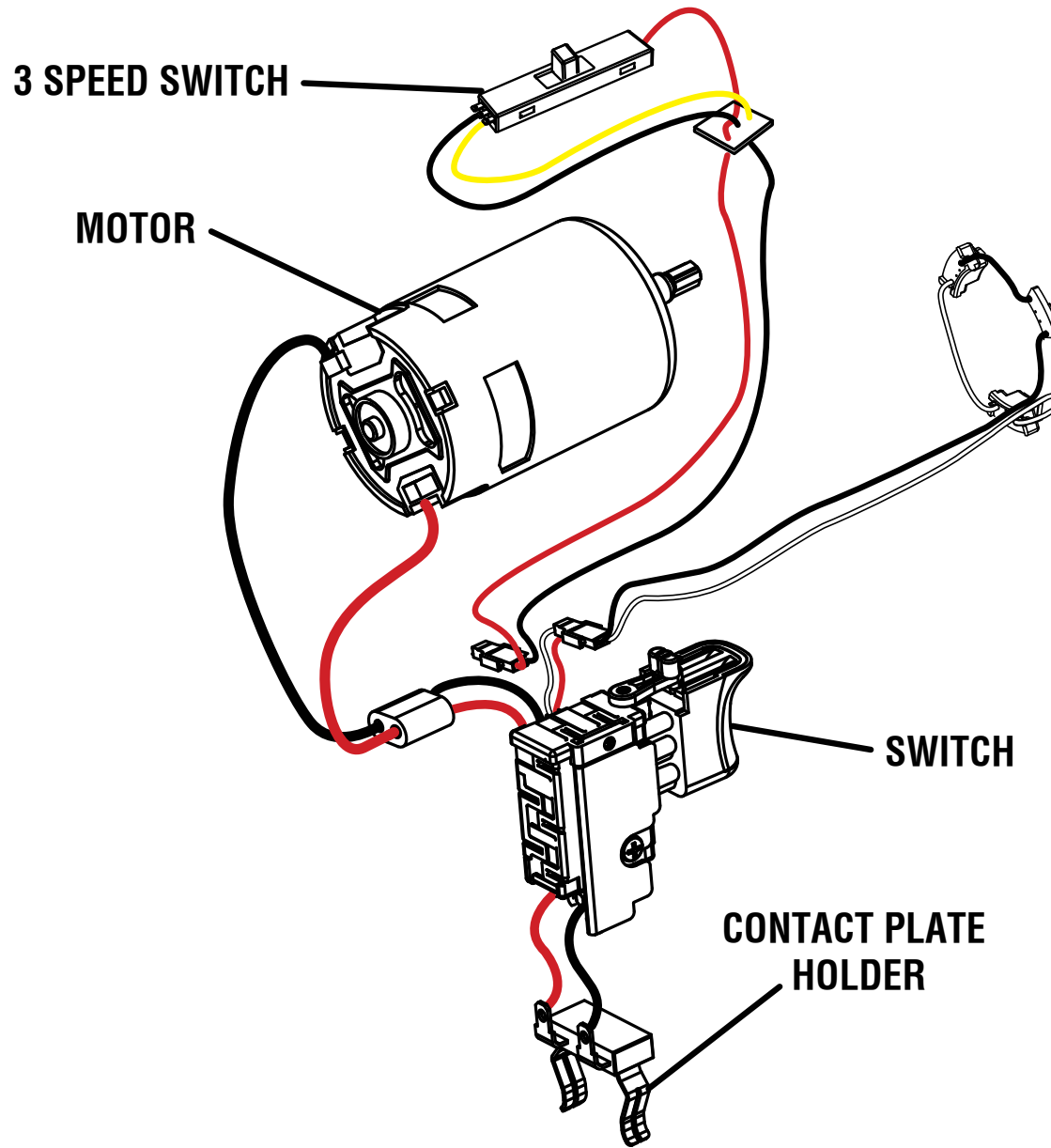
RYOBI 18 VOLT IMPACT WRENCH – MODEL NUMBER P261

The model number will be found on a label attached to the motor housing. Always mention the model number in all correspondence regarding your **18 VOLT IMPACT WRENCH** or when ordering parts.

PARTS LIST

KEY NO.	PART NUMBER	DESCRIPTION	QTY	KEY NO.	PART NUMBER	DESCRIPTION	QTY
1	203472001	Housing Assembly	1	13	661943002	Screw (M6.5 x 25 mm, Pan Hd.).....	4
2	206312001	Motor Assembly	1	14	280263004	LED Assembly.....	1
3	528796001	Flat Slide Switch Button	1	15	527836001	Forward/Reverse Button.....	1
4	760535002	3-Speed Switch	1	16	203557001	Main Switch Assembly	1
5	642098004	Rear Gear Case	1	17	660206042	Screw (M3.5 x 16 mm, Pan Hd.).....	8
6	662088001	Screw w/Washer (M4 x 11 mm, Rd. Hd.).....	2	18	940114178	Logo Label	1
7	611574001	Ring Gear.....	1	19	941121364	Data Label.....	1
8	902578003	Sealing Plate.....	1	20	940221063	Warning Label.....	1
9	202677001	Gear Assembly	1	21	692261001	Retaining Ring	1
10	202678001	Cam Shaft Assembly	1	Not Shown:			
11	512445001	Front Gear Washer.....	1	991000238 Operator's Manual			
12	203556001	Front Gear Case Assembly.....	1	2-15-17 (Rev:02)			

RYOBI 18 VOLT IMPACT WRENCH – MODEL NUMBER P261



WIRING DIAGRAM