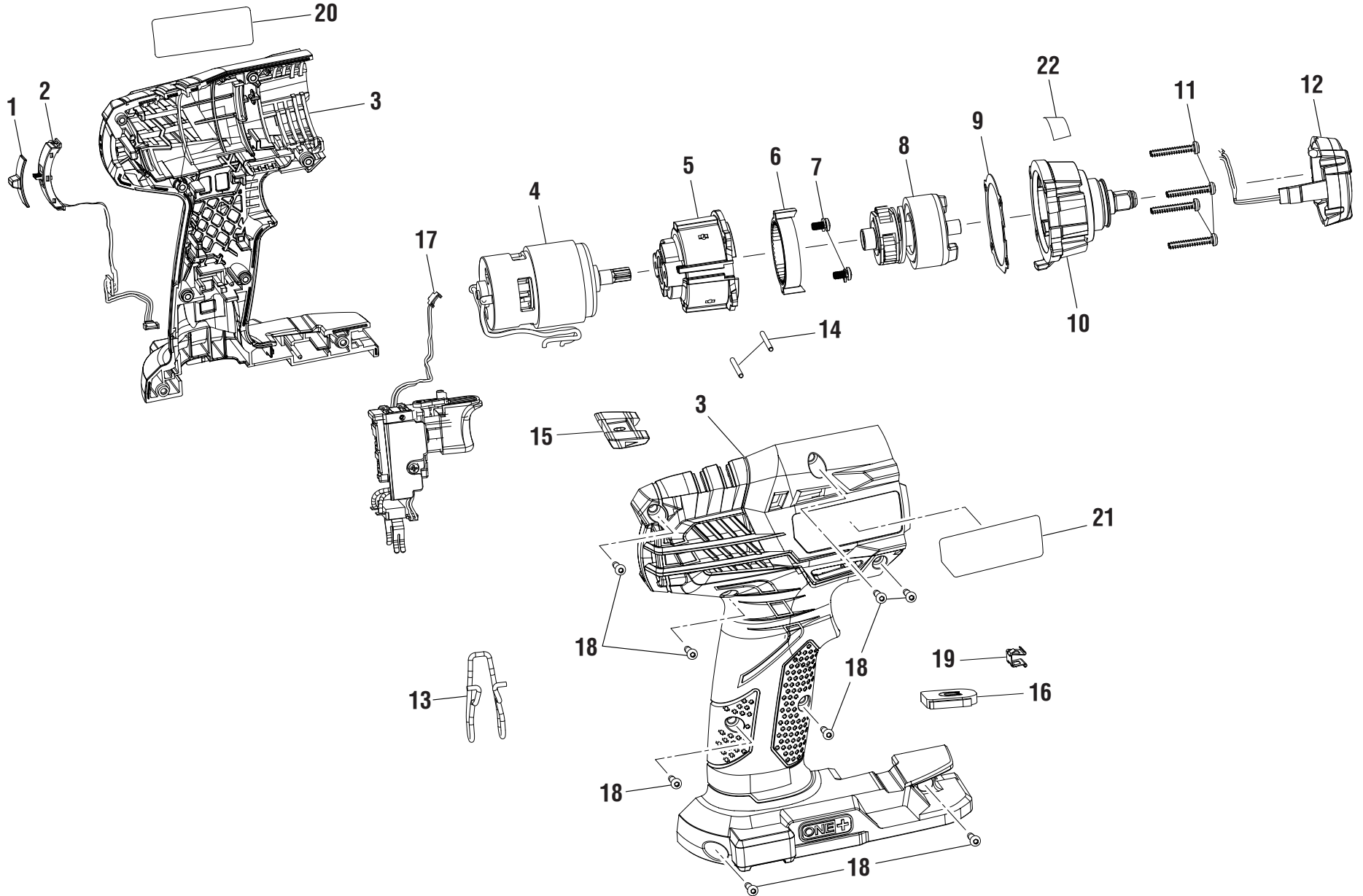


RYOBI
18 Volt Impact Wrench
Model Number P263
Repair Sheet

ONE WORLD TECHNOLOGIES, INC.
P.O. Box 1288, Anderson, SC 29622 • Phone 1-800-525-2579
www.ryobitools.com

RYOBI 18 VOLT IMPACT WRENCH – MODEL NUMBER P263



RYOBI 18 VOLT IMPACT WRENCH – MODEL NUMBER P263

The model number will be found on a label attached to the motor housing. Always mention the model number in all correspondence regarding your **IMPACT WRENCH** or when ordering repair parts.

PARTS LIST

KEY NO.	PART NUMBER	DESCRIPTION	QTY
1	529480001	3-Speed Button.....	1
2	760535004	3-Speed Switch.....	1
3	203956002	Housing Assembly (Inc. Key Nos. 20-21).....	1
4	206956003	Motor Assembly	1
5	202720001	Inner Gear Case w/Bushing Assembly.....	1
6	610449039	Ring Gear	1
7	662895001	Screw w/Washer (M4 x 8, T20 Torx Pan Hd.).....	2
8	202654002	Cam Shaft w/Hammer Assembly	1
9	902807001	Fiber Sealing Plate	1
10	203956003	Front Gear Case Assembly (Inc. Key No. 22).....	1
11	660436005	Screw (M4 x 25.4 mm, T20 Torx Pan Hd.).....	4
12	291207002	LED Assembly	1
13	696626001	Belt Clip.....	1
14	680334036	Pin (Dia 2.5 x 27.5)	2
15	523179001	Forward/Reverse Button	1
16	303001052	Magnet Assembly.....	1
17	203736004	Main Switch Assembly	1
18	660031017	Screw (M3.5 x 16 mm, T10 Torx Pan Hd.).....	8
19	630206007	Bit Clip.....	1
20	940114178	Logo Label.....	1
21	941122115	Data Label	1
22	940221063	Warning Label	1

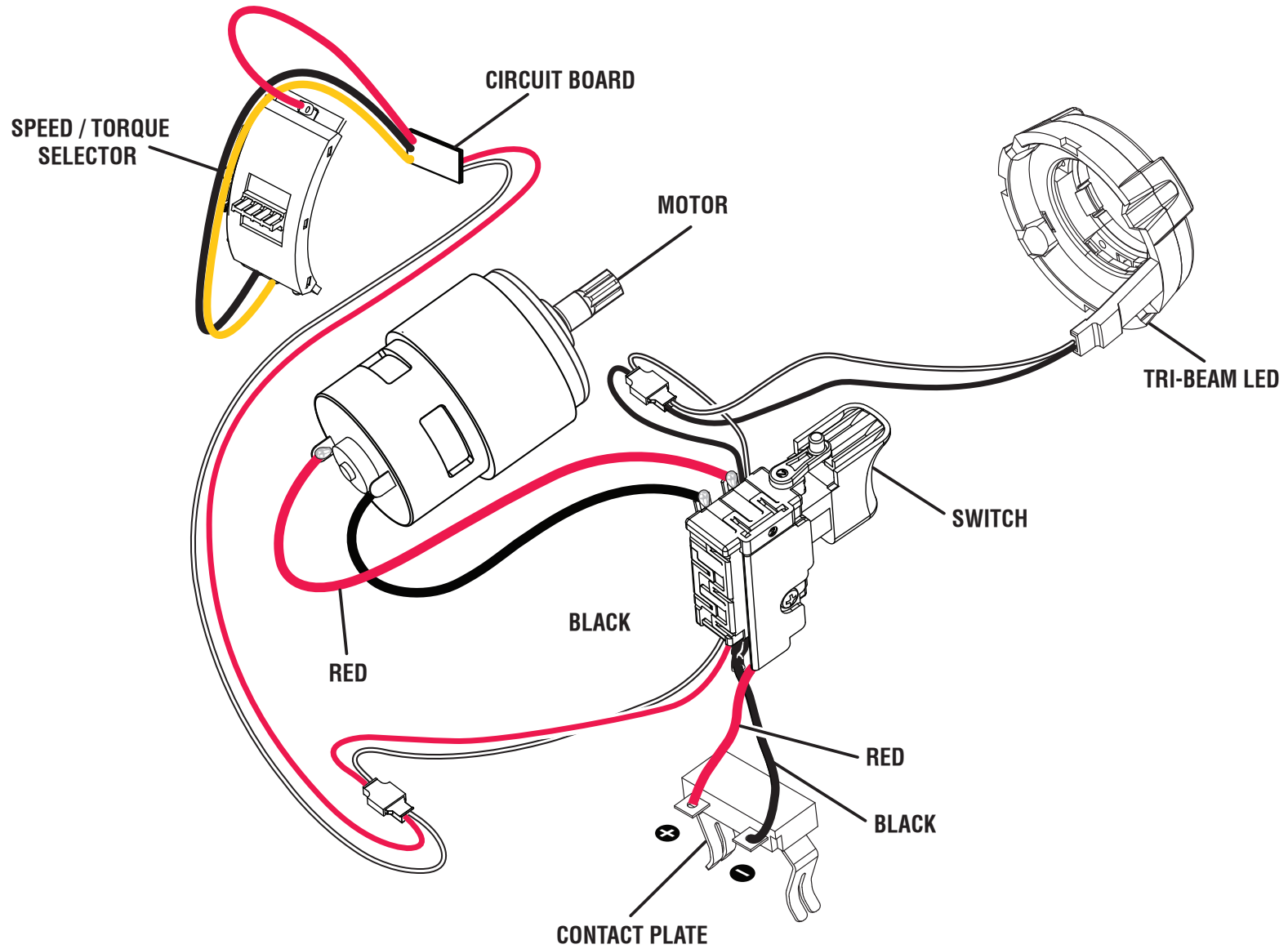
NOT SHOWN:

995000681 Operator's Manual (961152997)

1-8-19

(Rev:01)

RYOBI 18 VOLT IMPACT WRENCH – MODEL NUMBER P263



WIRING DIAGRAM