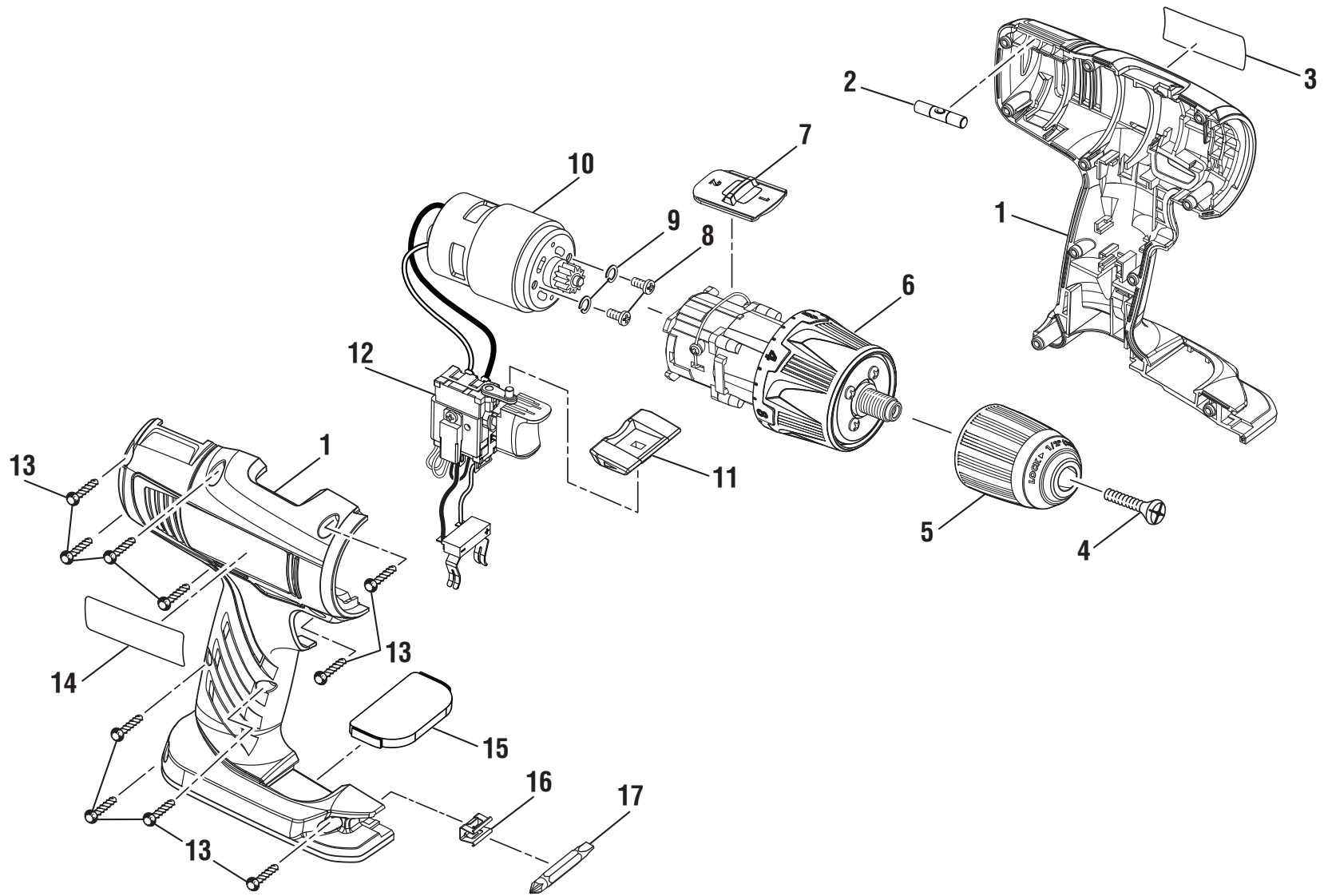


RYOBI 18 VOLT, 1/2 in. 2-SPEED DRILL DRIVER – MODEL NUMBER P270G



**RYOBI 18 VOLT, 1/2 in. 2-SPEED DRILL DRIVER – MODEL NUMBER P270G**

The model number will be found on a label attached to the motor housing. Always mention the model number in all correspondence regarding your **18 VOLT, 1/2 in. 2-SPEED DRILL DRIVER** or when ordering parts.

**PARTS LIST**

KEY NO.	PART NUMBER	DESCRIPTION	QTY	KEY NO.	PART NUMBER	DESCRIPTION	QTY
1	201024004	Housing Assembly .....	1	12	270013028	Switch Assembly .....	1
2	3000909	Level Assembly .....	1	13	660031012	Screw (M3.5 x 14 mm) .....	10
3	940114178	Logo Label .....	1	14	941488003	Data Label .....	1
4	6613402	Screw (M6 x 27 mm) .....	1	15	303001015	Magnet Assembly .....	1
5	670794002	Chuck .....	1	16	630206007	Bit Clip (0.4 mm) .....	1
6	201025003	Clutch Cap & Gear Train Assembly .....	1	17	6782045	Double Bit .....	1
7	343318001	Gear Change Knob .....	1	<b>NOT SHOWN:</b>			
8	6621205	Screw (M4 x 8 mm) .....	2	988000798	Operator's Manual .....	1	
9	670030004	Spring Washer (OD 7.2 x ID 4.1 x 1 mm) .....	2	3-5-13			
10	230079021	Motor Assembly .....	1	(REV:02)			
11	343319001	Forward/Reverse Selector .....	1				