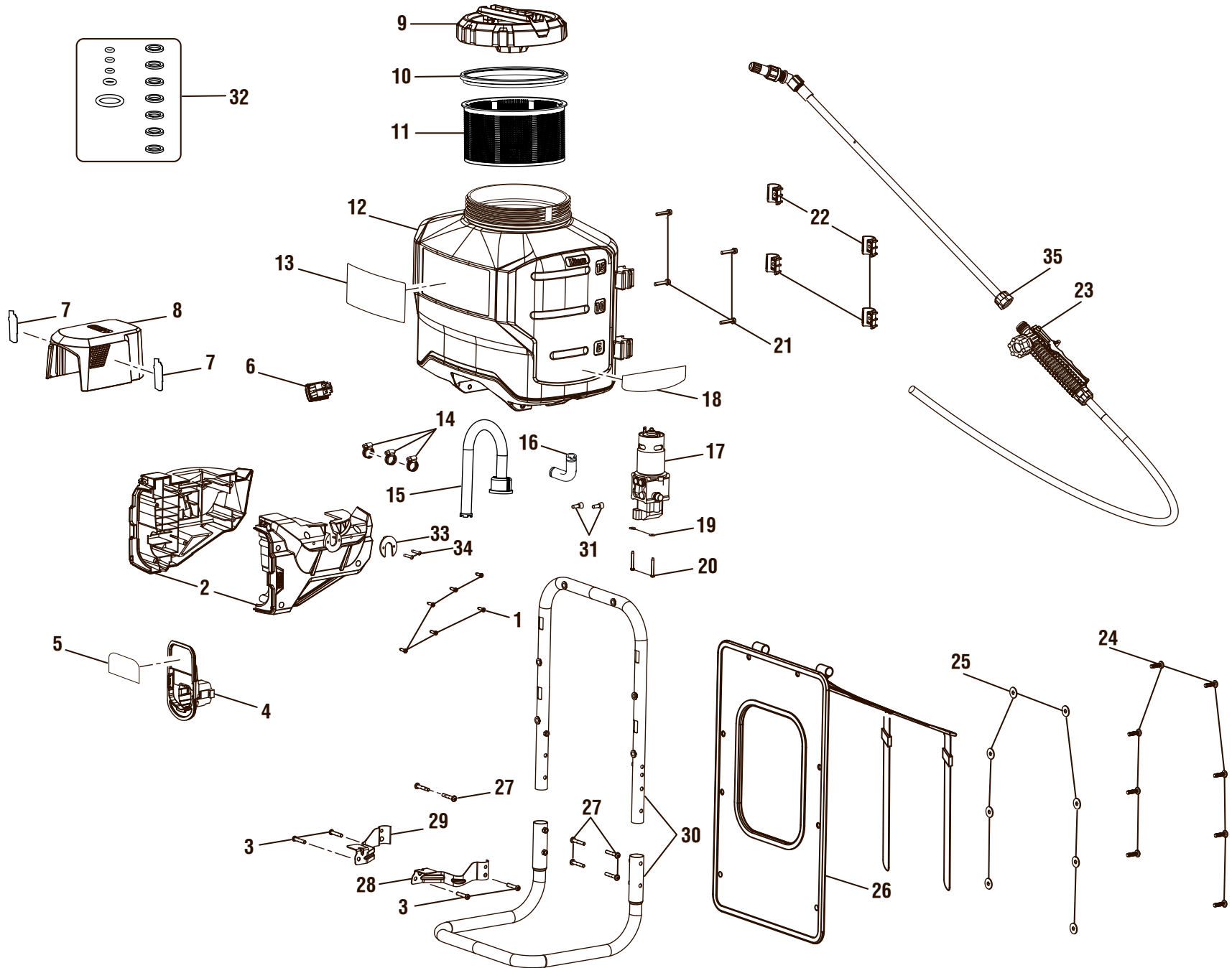


**RYOBI**  
**18 Volt Chemical Backpack Sprayer**  
**Mfg. No. 107370001**  
**Item No. P2804**  
**Replacement Parts List**

**TECHTRONIC INDUSTRIES POWER EQUIPMENT**

P.O. Box 1288, Anderson, SC 29622 USA  
1-800-860-4050 • [www.ryobitools.com](http://www.ryobitools.com)

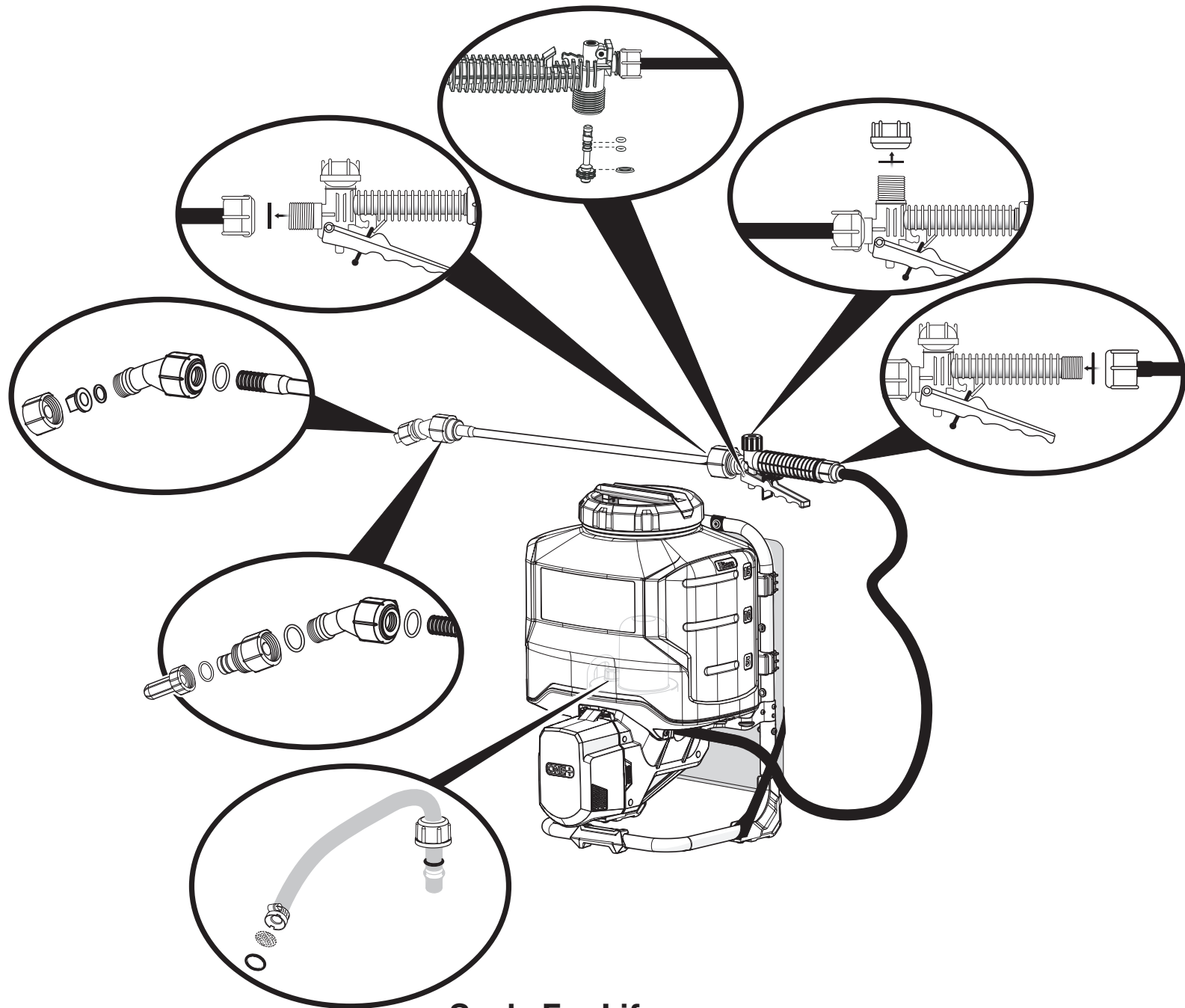
RYOBI 18 VOLT CHEMICAL BACKPACK SPRAYER – ITEM NO. P2804



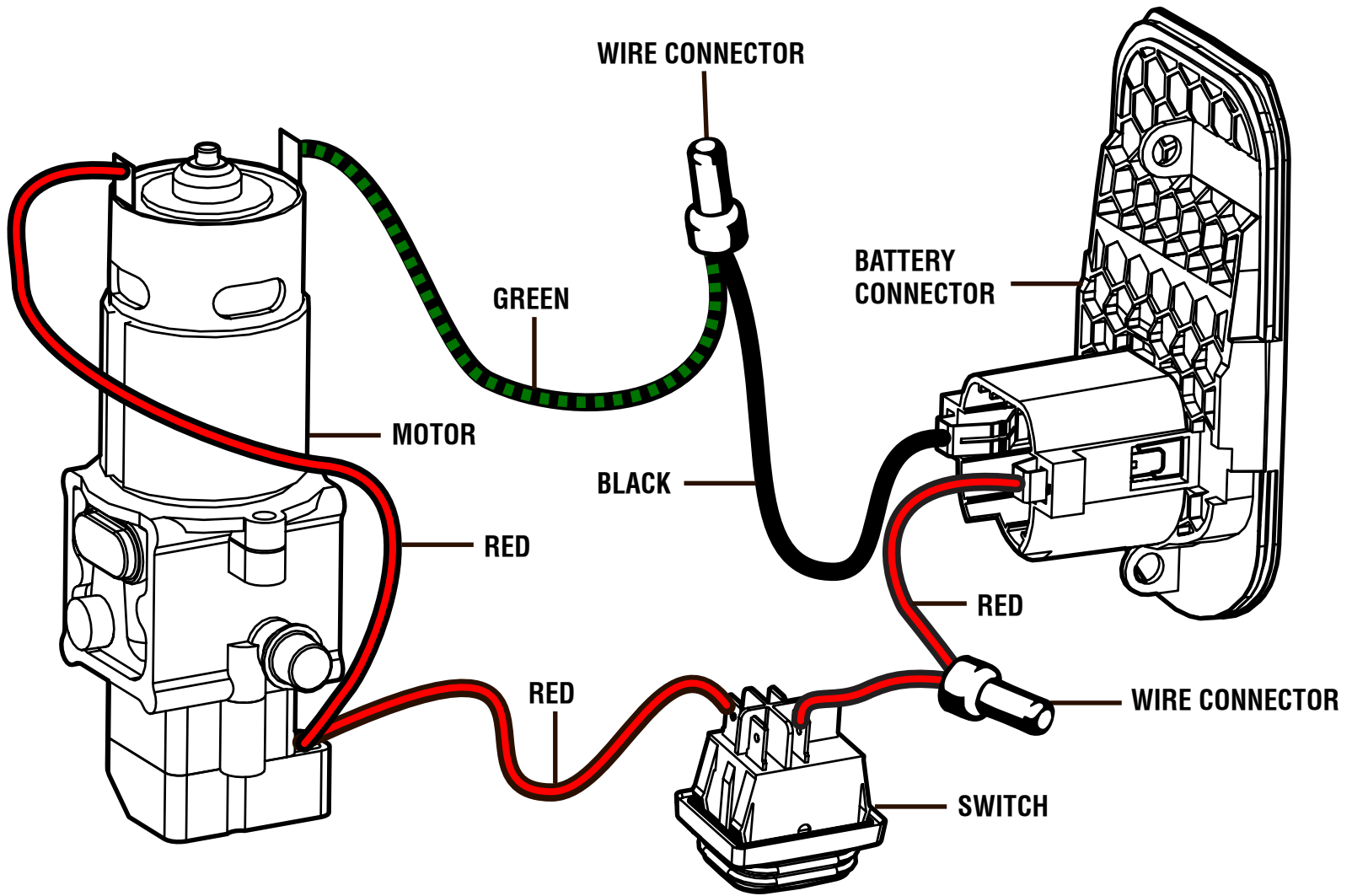
## RYOBI 18 VOLT CHEMICAL BACKPACK SPRAYER – ITEM NO. P2804

The model number will be found on a label attached to the battery foot assembly. Always mention the model number of your **CHEMICAL SPRAYER** when requesting service or ordering repair parts.

KEY NO.	PART NUMBER	DESCRIPTION	QTY	KEY NO.	PART NUMBER	DESCRIPTION	QTY
1	661817001	Screw (M4 x 14 mm, T15 Torx Pan Hd.).....	6	21	660613001	Screw w/Washer (M5 x 25.4 mm, T25 Pan Hd. T.F.) .....	4
2	313699001	Sprayer Housing Assembly .....	1	22	534235001	Tank Holder .....	4
3	662053002	Screw (M5 x 25 mm, T25 Torx Pan Hd.) .....	4	23	564605002	Trigger Handle Assembly.....	1
4	313697001	Battery Foot (Inc. Key No. 5).....	1	24	660224022	Screw (M6 x 25 mm, T30 Torx Pan Hd.).....	8
5	941087013	Data Label.....	1	25	678587001	Washer (ID6.8 x OD16 x 1.5t).....	8
6	760609002	Switch.....	1	26	313502001	Backpack Harness .....	1
7	941087009	Lithium Label.....	2	27	661863001	Screw (M5 x 30, T20 Torx Pan Hd.) .....	6
8	313698001	Battery Cover Assembly (Inc. Key No. 7).....	1	28	673796001	Bottom Right Bracket .....	1
9	313529002	Tank Lid Assembly .....	1	29	673797001	Bottom Left Bracket.....	1
10	564626001	Rubber Gasket .....	1	30	313543001	Frame Assembly (Inc. Key Nos. 27-29).....	1
11	313531001	Filter and Seal Assembly (Inc. Key No. 10).....	1	31	790009004	Wire Connector .....	2
12	313696001	Tank Assembly (Inc. Key Nos. 13, 18 and 21-22) .....	1	32	120756001	Seals For Life O-Ring Kit (See Page 4).....	1
13	941087008	Front Logo Label.....	1	33	536796001	Hose Holder.....	1
14	T643220003	Hose Clamp .....	3	34	660205014	Screw (M4 x 10 mm, Pan Hd.).....	2
15	314681001	Pickup Tube Assembly .....	1	35	313969001	Nozzle & Wand Assembly .....	1
16	564910001	Elbow Tube (OD16 x ID10) .....	1	<b>Not Shown:</b>			
17	313700001	Motor and Pump Assembly .....	1	995000354	Operator's Manual (961087023)		
18	941087011	Warning Icon Label .....	1	11-16-18			
19	690969001	Washer (ID4.2 x OD10 x 1t).....	2	(Rev:07)			
20	660208104	Screw (M4 x 30 mm, T15 Torx Pan Hd.) .....	2				



**Seals For Life**



WIRING DIAGRAM