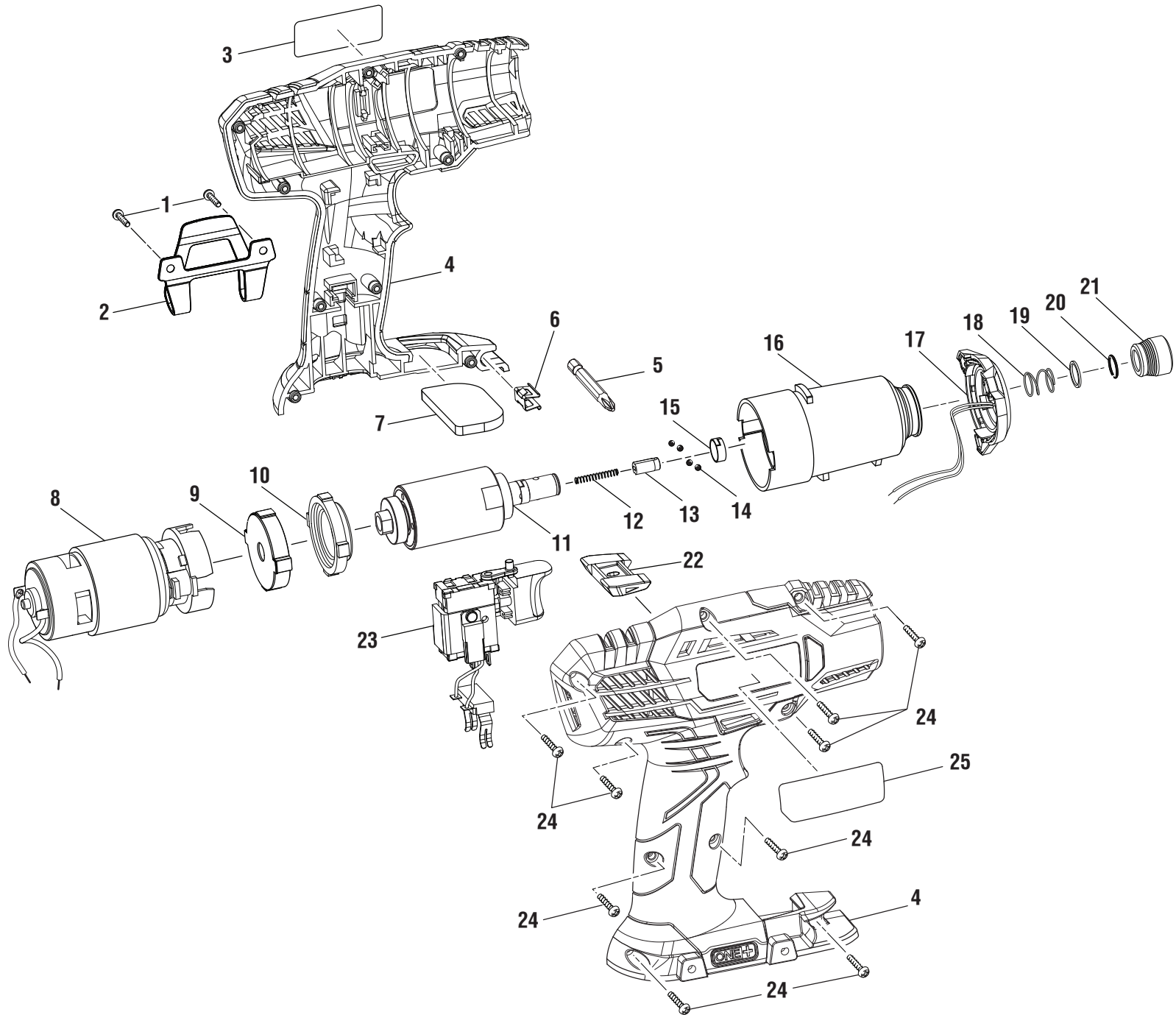


**RYOBI**  
**18 Volt Impact Driver**  
**Model Number P290**  
**Repair Sheet**

**ONE WORLD TECHNOLOGIES, INC.**  
P.O. Box 1288, Anderson, SC 29625 • Phone 1-800-525-2579  
[www.ryobitools.com](http://www.ryobitools.com)

RYOBI 18 VOLT IMPACT DRIVER – MODEL NUMBER P290



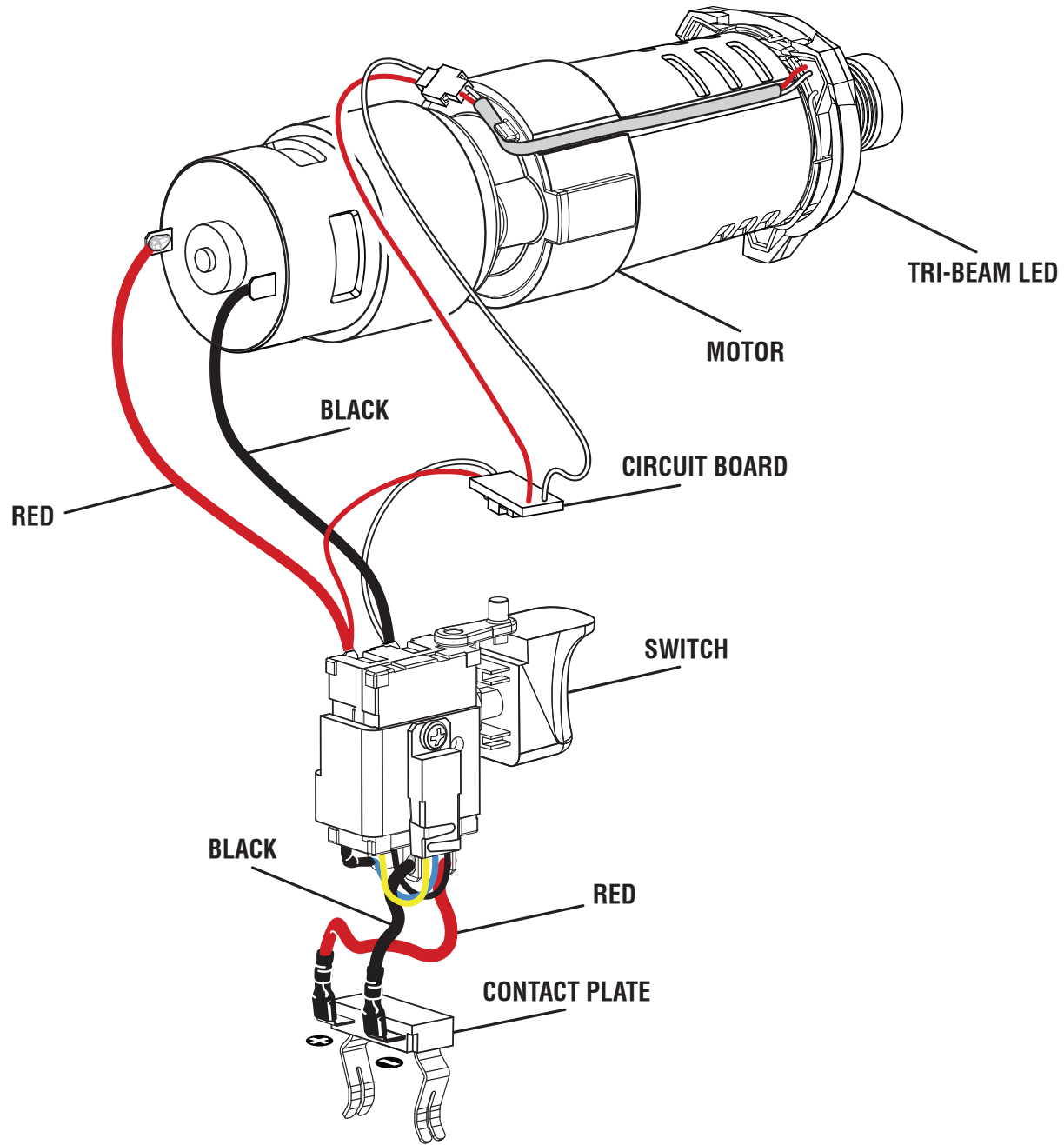
## RYOBI 18 VOLT IMPACT DRIVER – MODEL NUMBER P290

The model number will be found on a label attached to the motor housing. Always mention the model number in all correspondence regarding your **IMPACT DRIVER** or when ordering repair parts.

### PARTS LIST

KEY NO.	PART NUMBER	DESCRIPTION	QTY	KEY NO.	PART NUMBER	DESCRIPTION	QTY
1	660212057	Screw (M4 x 7 mm, Pan Hd.) .....	2	16	642654001	Gear Case Cover .....	1
2	633586009	Belt Clip .....	1	17	291207003	LED Assembly .....	1
3	940114178	Logo Label .....	1	18	694084003	Compression Spring .....	1
4	204117001	Housing Assembly (Inc. Key Nos. 3 & 25) .....	1	19	636867001	Washer .....	1
5	670802034	Bit (#2 Phillips x 50 mm) .....	1	20	694074002	Retainer Ring .....	1
6	630206007	Bit Clip .....	1	21	690260058	Sleeve .....	1
7	303001015	Magnet .....	1	22	529700001	Forward/Reverse Selector .....	1
8	230605001	Motor Assembly .....	1	23	270013150	Switch Assembly .....	1
9	204148001	Ring Gear Assembly .....	1	24	660031017	Screw (M3.5 x 16 mm, Pan Hd.) .....	9
10	204118001	Gear Assembly .....	1	25	941121719	Data Label .....	1
11	204119001	Cam Shaft and Hammer Assembly .....	1	<b>NOT SHOWN:</b>			
12	694084005	Compression Spring .....	1	991000853	Operator's Manual (961152579)		
13	671565013	Plunger .....	1	3-5-19			
14	670221001	Ball (3.0 mm) .....	4	(Rev:03)			
15	694086003	Ring .....	1				

**RYOBI 18 VOLT IMPACT DRIVER – MODEL NUMBER P290**



**WIRING DIAGRAM**