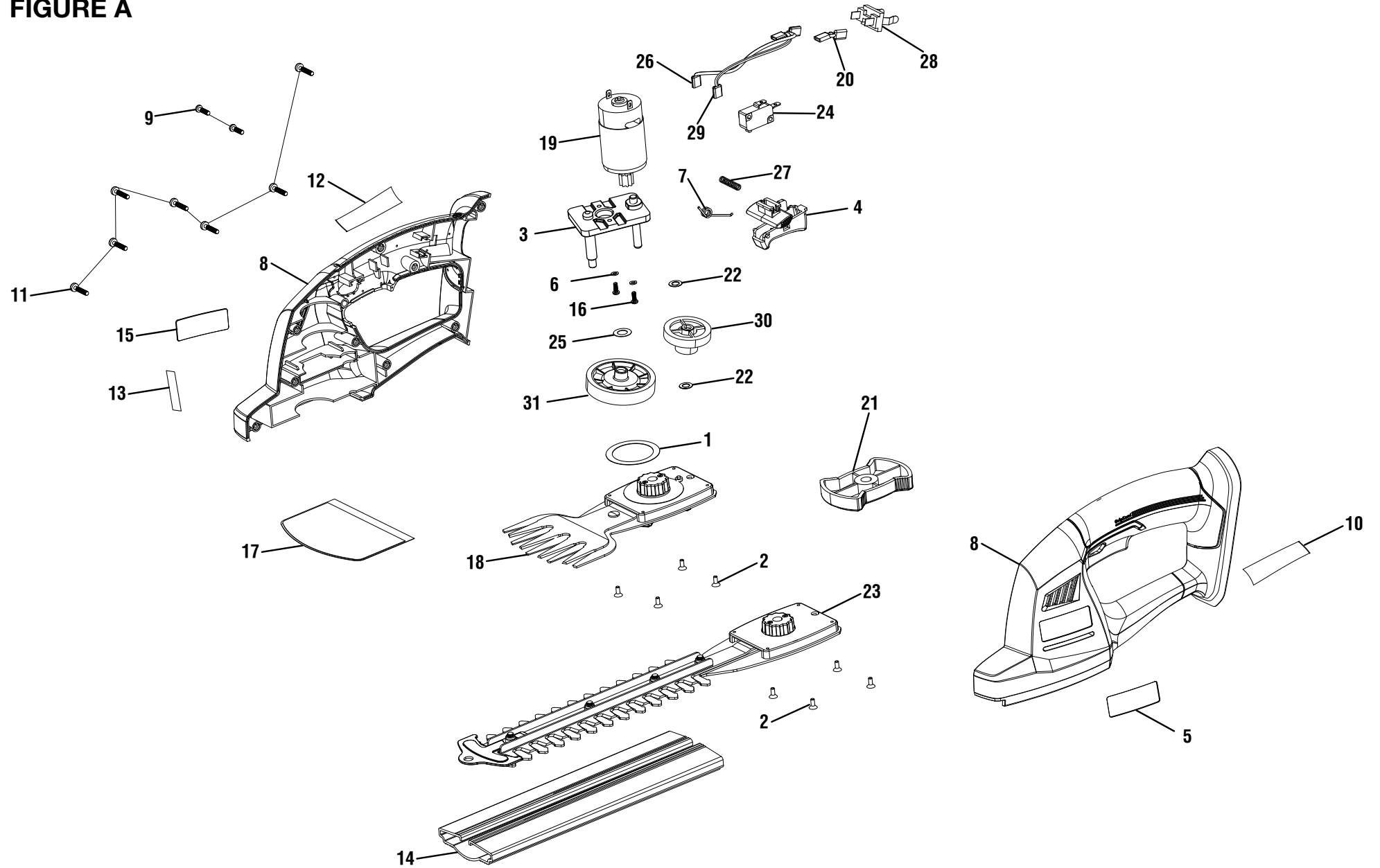


**RYOBI**  
**18 Volt Grass Shear/Shrubber**  
**Model Number 107269001**  
**Item Number P2900**  
**Repair Sheet**

FIGURE A



**RYOBI GRASS SHEAR/SHRUBBER – MODEL 107269001, ITEM NUMBER P2900**

**FIGURE A PARTS LIST**

| <b>KEY NO.</b> | <b>PART NUMBER</b> | <b>DESCRIPTION</b>                  | <b>QTY</b> | <b>KEY NO.</b> | <b>PART NUMBER</b> | <b>DESCRIPTION</b>                 | <b>QTY</b> |
|----------------|--------------------|-------------------------------------|------------|----------------|--------------------|------------------------------------|------------|
| 1              | 672729001          | O-Ring.....                         | 1          | 19             | 230172001          | Motor and Pinion Assembly.....     | 1          |
| 2              | 660204013          | Screw (M3 x 8.5 mm, Flat Hd.) ..... | 8          | 20             | 770312009          | Red Lead (75 mm).....              | 1          |
| 3              | 302347001          | Motor Mount Assembly.....           | 1          | 21             | 302311001          | Knob Assmely.....                  | 1          |
| 4              | 340193001          | Trigger Assembly .....              | 1          | 22             | 670914001          | Washer (ID 6.5 x OD11 x 0.3t)..... | 2          |
| 5              | 940705299          | Logo Label.....                     | 1          | 23             | 302350003          | Hedge Trimmer Blade Assembly.....  | 1          |
| 6              | 670028003          | Washer (OD5.7 x ID3.1 x 0.8mm)..... | 2          | 24             | 760689001          | Switch .....                       | 1          |
| 7              | 672752001          | Torsion Spring.....                 | 1          | 25             | 672728001          | Washer (OD15 x 8.4 x 0.3t).....    | 1          |
| 8              | 340197001          | Housing Assembly .....              | 1          | 26             | 770311164          | Black Lead (150 mm) .....          | 1          |
| 9              | 660206058          | Screw (M3.5 x 12mm, Pan Hd.).....   | 2          | 27             | 670499001          | Compression Spring .....           | 1          |
| 10             | 940851076          | Warning Label (Left) .....          | 1          | 28             | 300001001          | Contact Plate .....                | 1          |
| 11             | 660206059          | Screw (M3.5 x 16 mm, Pan Hd.).....  | 7          | 29             | 770312177          | Red Lead (150 mm).....             | 1          |
| 12             | 940851077          | Warning Label (Right).....          | 1          | 30             | 516712001          | Step Gear.....                     | 1          |
| 13             | 940851078          | Icon Warning Label .....            | 1          | 31             | 516711001          | Gear .....                         | 1          |
| 14             | 516819002          | Scabbard .....                      | 1          |                | <b>Not Shown</b>   |                                    |            |
| 15             | 941588098          | Data Label.....                     | 1          |                | 991000628          | Operator's Manual                  |            |
| 16             | 660086009          | Screw (M3 x 8 mm).....              | 2          |                | 8-4-15             |                                    |            |
| 17             | 900205004          | Sheath.....                         | 1          |                | (Rev:01)           |                                    |            |
| 18             | 302348001          | Grass Shear Blade Assembly .....    | 1          |                |                    |                                    |            |