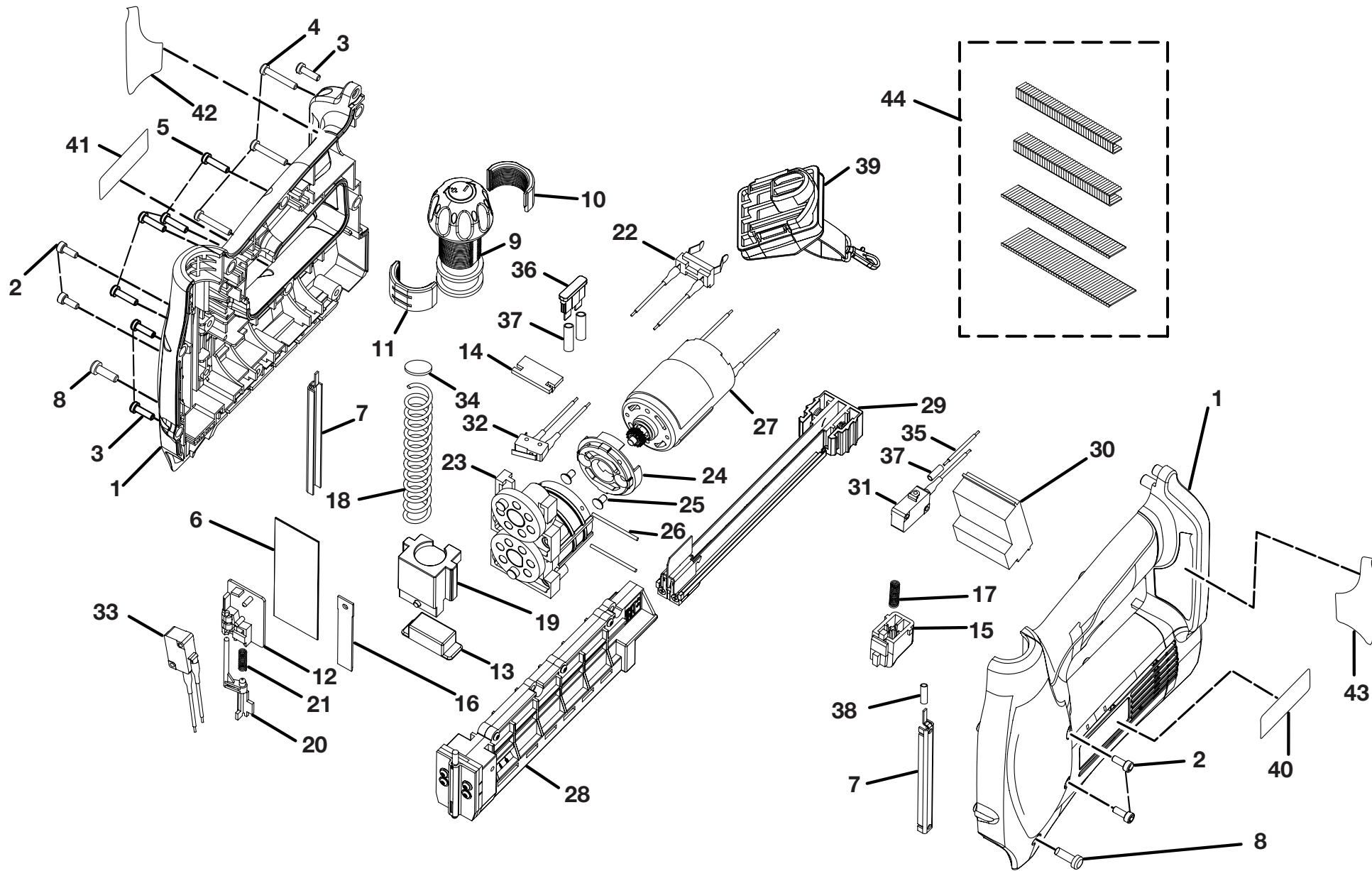


RYOBI 18 VOLT CORDLESS NAILER/STAPLER – MODEL NUMBER P300



RYOBI 18 VOLT CORDLESS NAILER/STAPLER – MODEL NUMBER P300

The model number will be found on a plate attached to the motor housing. Always mention the model number in all correspondence regarding your CORDLESS NAILER/STAPLER or when ordering repair parts.

PARTS LIST

KEY NO.	PART NUMBER	DESCRIPTION	QTY	KEY NO.	PART NUMBER	DESCRIPTION	QTY
1	010300001001	HOUSING ASSEMBLY	1	25	102334001027	SCREW (M4 X 12 mm).....	2
2	102334001002	SCREW (M4 X 10 mm).....	4	26	102334001028	SPRING PIN	2
3	102334001003	SCREW (M4 X 12 mm).....	3	27	102334001029	MOTOR ASSEMBLY WITH PINION	1
4	102334001004	SCREW (M4 X 24 mm).....	3	28	010300001012	MAGAZINE ASSEMBLY	1
5	102334001005	SCREW (M4 X 17 mm).....	4	29	102334001035	CARTRIDGE ASSEMBLY	1
6	010300001013	METAL PLATE	1	30	102334001036	PCB ASSEMBLY	1
7	102334001007	RAIL.....	2	31	102334001037	TRIGGER SWITCH ASSEMBLY	1
8	102334001008	SCREW (M5 X 12 mm).....	2	32	102334001038	GEAR SENSING SWITCH ASSEMBLY	1
9	010300001002	FORCE ADJUSTMENT KNOB	1	33	102334001039	SAFETY SWITCH ASSEMBLY	1
10	102334001010	FIXTURE (LEFT)	1	34	102334001040	SPACER	1
11	102334001011	FIXTURE (RIGHT)	1	35	102334001041	INTERNAL WIRE.....	1
12	102334001012	SWITCH FIXTURE	1	36	102334001042	FUSE	1
13	102334001013	DAMPER	1	37	102334001043	SHRINK TUBE.....	3
14	102334001014	SWITCH COVER.....	1	38	102334001044	SHRINK TUBE.....	1
15	010300001003	SWITCH TRIGGER	1	39	200292003	PLUG-IN LANYARD.....	1
16	102334001017	PUNCHER.....	1	40	940114111	LOGO LABEL	1
17	102334001018	SPRING FOR SWITCH TRIGGER	1	41	940301029	RATING LABEL	1
18	102334001019	SPRING.....	1	42	940230095	WARNING LABEL - FRENCH	1
19	102334001021	HAMMER BLOCK.....	1	43	940230096	WARNING LABEL - SPANISH.....	1
20	102334001022	SAFETY ROD LINKAGE	1	44	000900139	NAIL & STAPLE ACCESSORY ASSEMBLY	1
21	102334001023	SPRING	1		983000561	OPERATOR'S MANUAL (960223414)	
22	010300001005	CONTACT PLATE HOLDER ASSEMBLY	1		983000561R	REPAIR SHEET (Rev: 00)	
23	102334001025	GEAR BOX AND OUTPUT GEAR ASSEMBLY ...	1		09-27-04		
24	102334001026	MOTOR MOUNT	1				

*** Standard Hardware Item – May Be Purchased Locally**