

RYOBI 18 VOLT DC CAULKING GUN - MODEL NUMBER P310

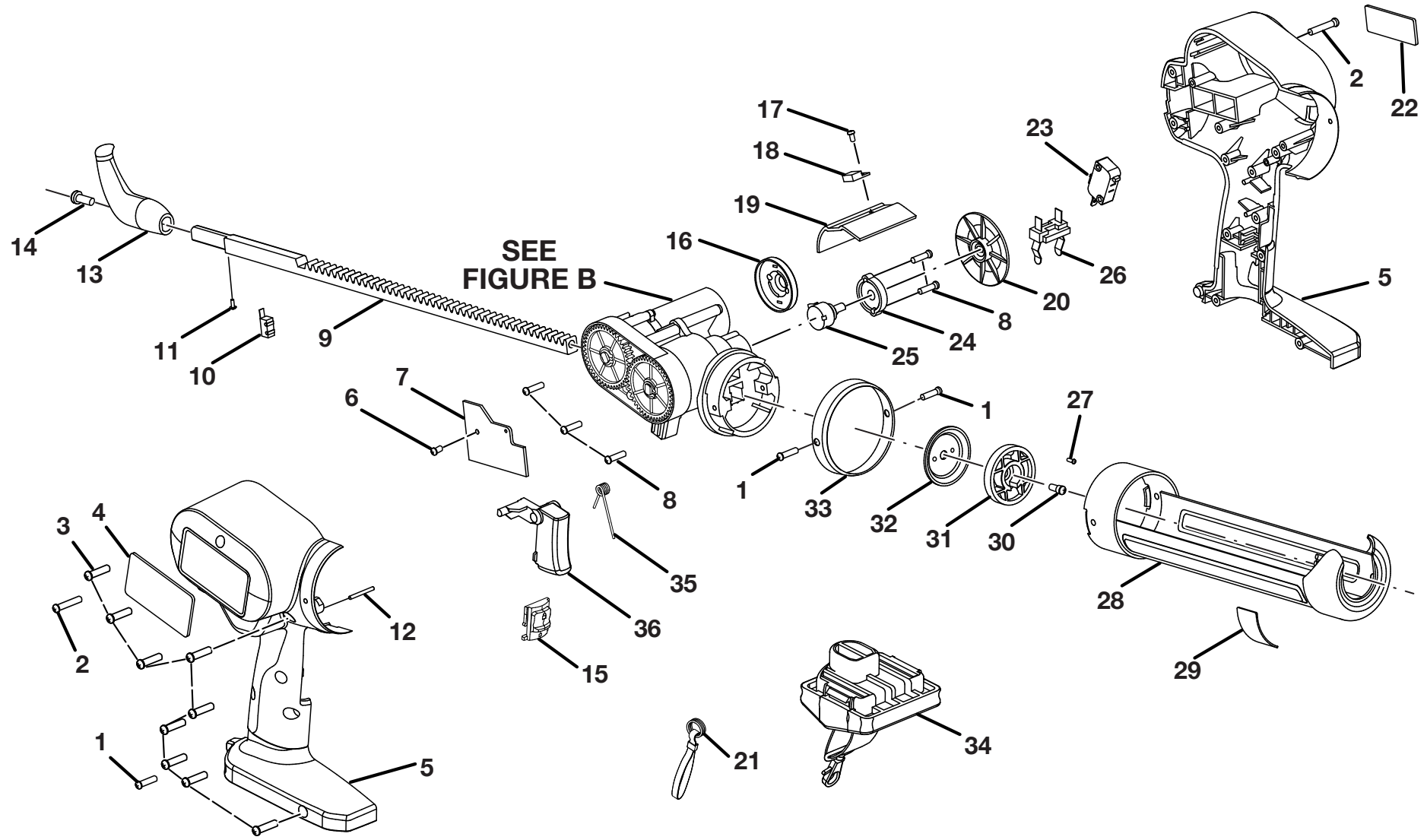


Figure A

RYOBI 18 VOLT DC CAULKING GUN – MODEL NUMBER P310

The model number will be found on a label attached to the motor housing. Always mention the model number in all correspondence regarding your **CAULKING GUN** or when ordering repair parts.

PARTS LIST

KEY NO.	PART NUMBER	DESCRIPTION	QTY	KEY NO.	PART NUMBER	DESCRIPTION	QTY
1	6620614	SCREW (M3.5 X 14 mm PAN HD.)	3	20	342787001	SPEED CONTROL DIAL KNOB	1
2	660206002	SCREW (M3.5 X 20 mm PAN HD.)	2	21	9002711	LANYARD	1
3	6627201	SCREW (M4 X 14 mm BINDING HD.).....	9	22	940114107	LOGO LABEL.....	1
4	940078057	DATA LABEL	1	23	760307001	SWITCH.....	1
5	200202324	HOUSING WITH LABEL ASSEMBLY (INC. KEY NOS. 4, 22 and 37).....	1	24	512905001	FIELD	1
6	660203027	SCREW (M3 X 8 mm PAN HD.)	1	25	810203001	SPEED POTENTIOMETER	1
7	860260001	CIRCUIT BOARD	1	26	300001044	CONTACT PLATE HOLDER	1
8	660203009	SCREW (M3 X 14 mm PAN HD.)	5	27	6621106	SCREW (M3 X 6 mm PAN HD.)	1
9	640796002	RACK	1	28	631279001	TUBE HOLDER	1
10	760384001	MICRO SWITCH	1	29	940230100	WARNING LABEL	1
11	660169038	SCREW (M4 X 6 mm SOC. HD.).....	1	30	660409001	SCREW (M4 X 6 mm)	1
12	671527001	PIN	1	31	512830001	PLUNGER.....	1
13	512790001	RACK HANDLE.....	1	32	631286001	PLUNGER.....	1
14	660219007	SCREW (M5 X 15 mm PAN HD.)	1	33	631288001	RING	1
15	512789001	TRIGGER LOCK BUTTON	1	34	200292003	PLUG IN LANYARD	1
16	561200001	MOTOR COVER	1	35	671521001	TRIGGER SPRING.....	1
17	660211013	SCREW (M3 X 4 mm PAN HD.)	1	36	512788001	TRIGGER	1
18	830235001	POWER MOSFET	1				
19	631289001	HEAT SINK.....	1				

RYOBI 18 VOLT DC CAULKING GUN – MODEL NUMBER P310

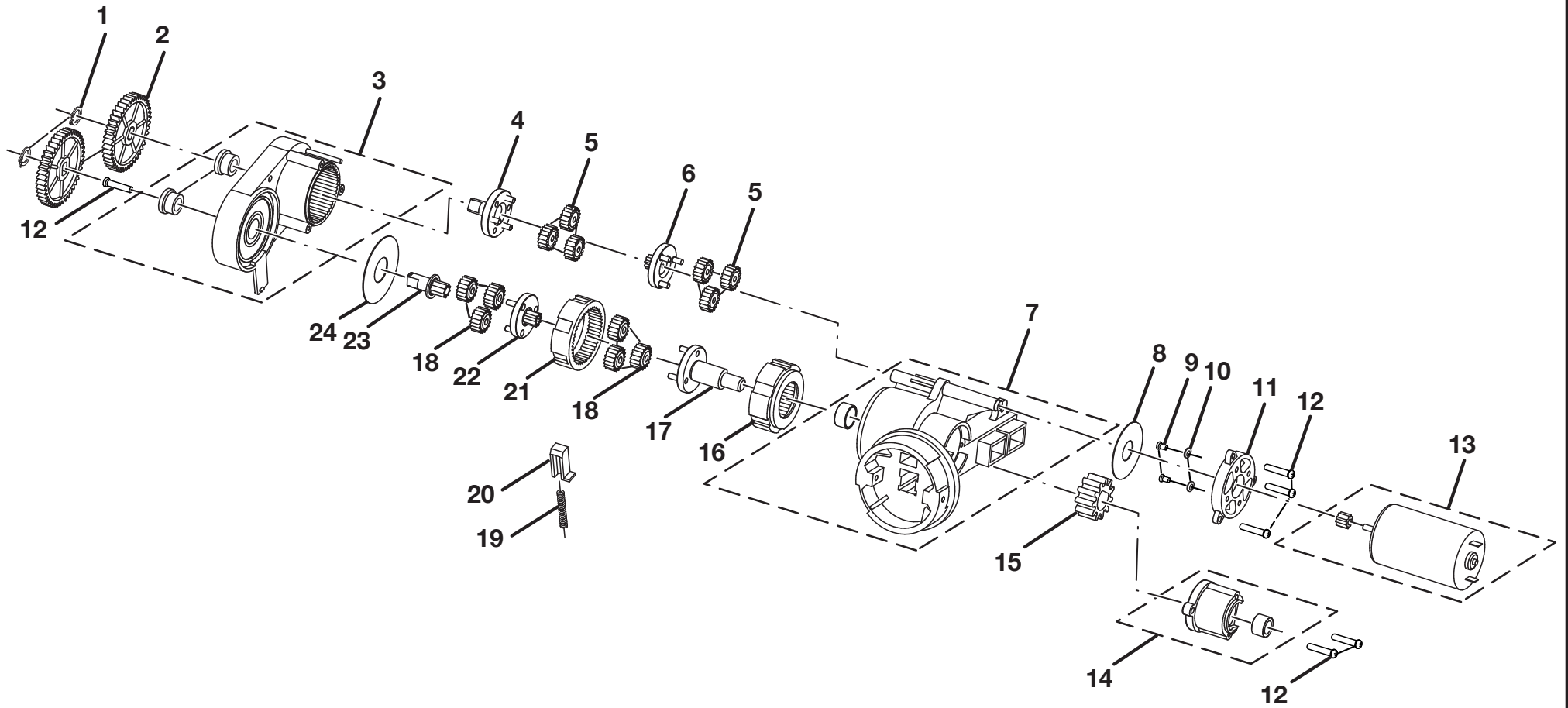


Figure B

RYOBI 18 VOLT DC CAULKING GUN – MODEL NUMBER P310

The model number will be found on a label attached to the motor housing. Always mention the model number in all correspondence regarding your **CAULKING GUN** or when ordering repair parts.

PARTS LIST

Key No.	Part Number	Description	Qty
1	670608001	C-RING.....	2
2	512795001	SHIFT GEAR.....	2
3	300215004	GEAR CASE ASSEMBLY	1
4	671575001	CARRIER.....	1
5	512793001	PLANETARY GEAR	6
6	610463001	SOLAR GEAR.....	1
7	300114019	GEAR TRAIN HOUSING ASSEMBLY	1
8	671577001	WASHER	1
9	6621106	SCREW (M3 X 6 mm PAN HD.).....	2
10	6702801	SPRING WASHER.....	2
11	512792001	MOTOR BRACKET.....	1
12	660010003	SCREW (M3 X 16 mm PAN HD.).....	6
13	230074007	MOTOR ASSEMBLY	1
14	300763002	GEAR HOUSING COVER ASSEMBLY	1
15	610459001	GEAR	1
16	512796001	RING GEAR.....	1
17	620354001	CARRIER SHAFT	1
18	610461001	PLANETARY GEAR	6
19	671590001	SPRING.....	1
20	671576001	CLUTCH	1
21	610462001	RING GEAR.....	1
22	610464001	SOLAR GEAR.....	1
23	620355001	GEAR SHAFT	1
24	680574001	WASHER	1
	983000592	OPERATOR'S MANUAL (960223391)	
	983000592R	REPAIR SHEET (REV:05)	
	1-10-13		