

RYOBI
18 VOLT CORDLESS SWEEPER
MODEL NUMBER P3260
REPAIR SHEET

Techtronic Industries Power Equipment, Inc.

1428 Pearman Dairy Road, Anderson, SC 29625

Phone 1-800-860-4050

www.ryobitools.com

RYOBI DEBRIS SWEEPER – MODEL NUMBER P3260

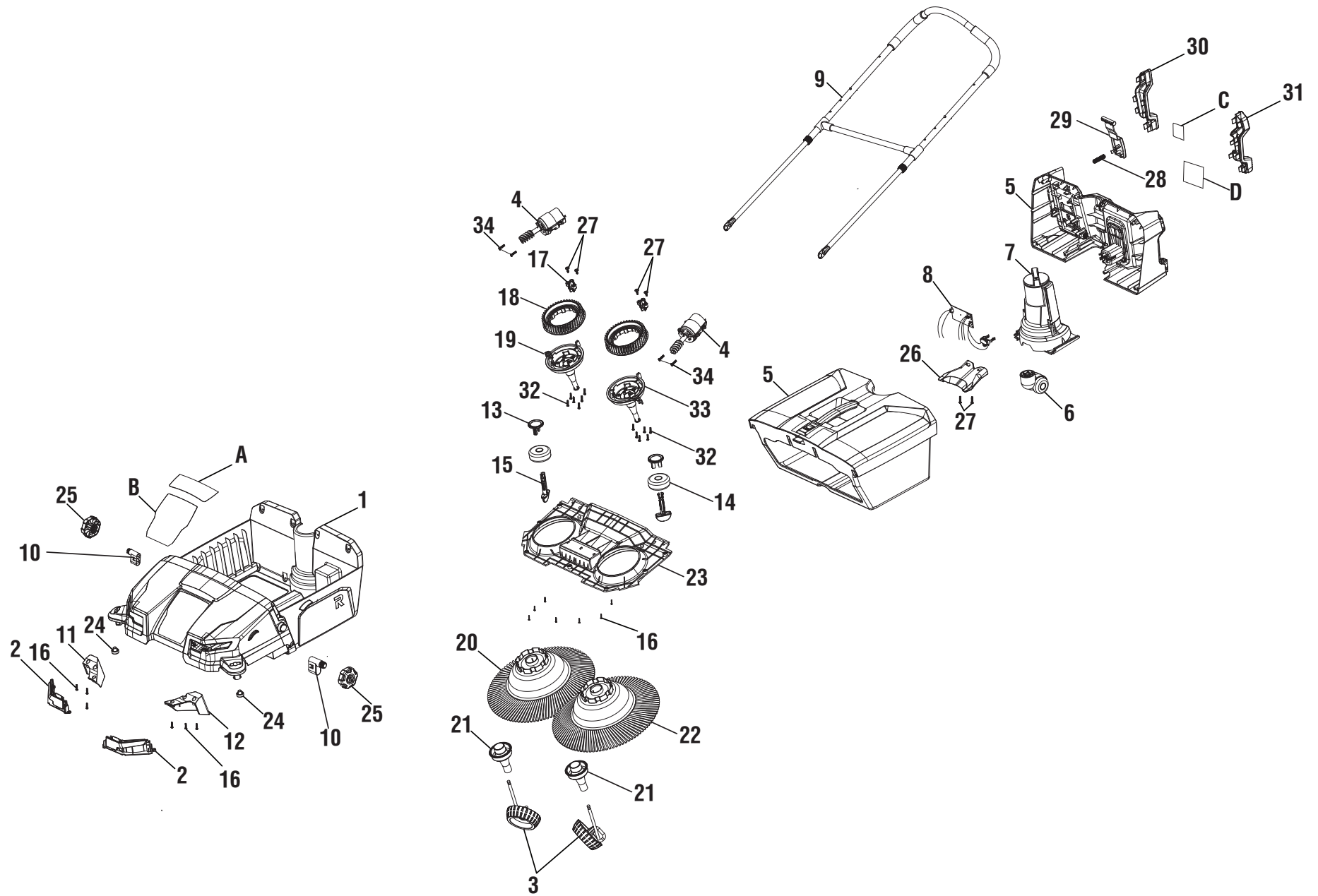


FIGURE A

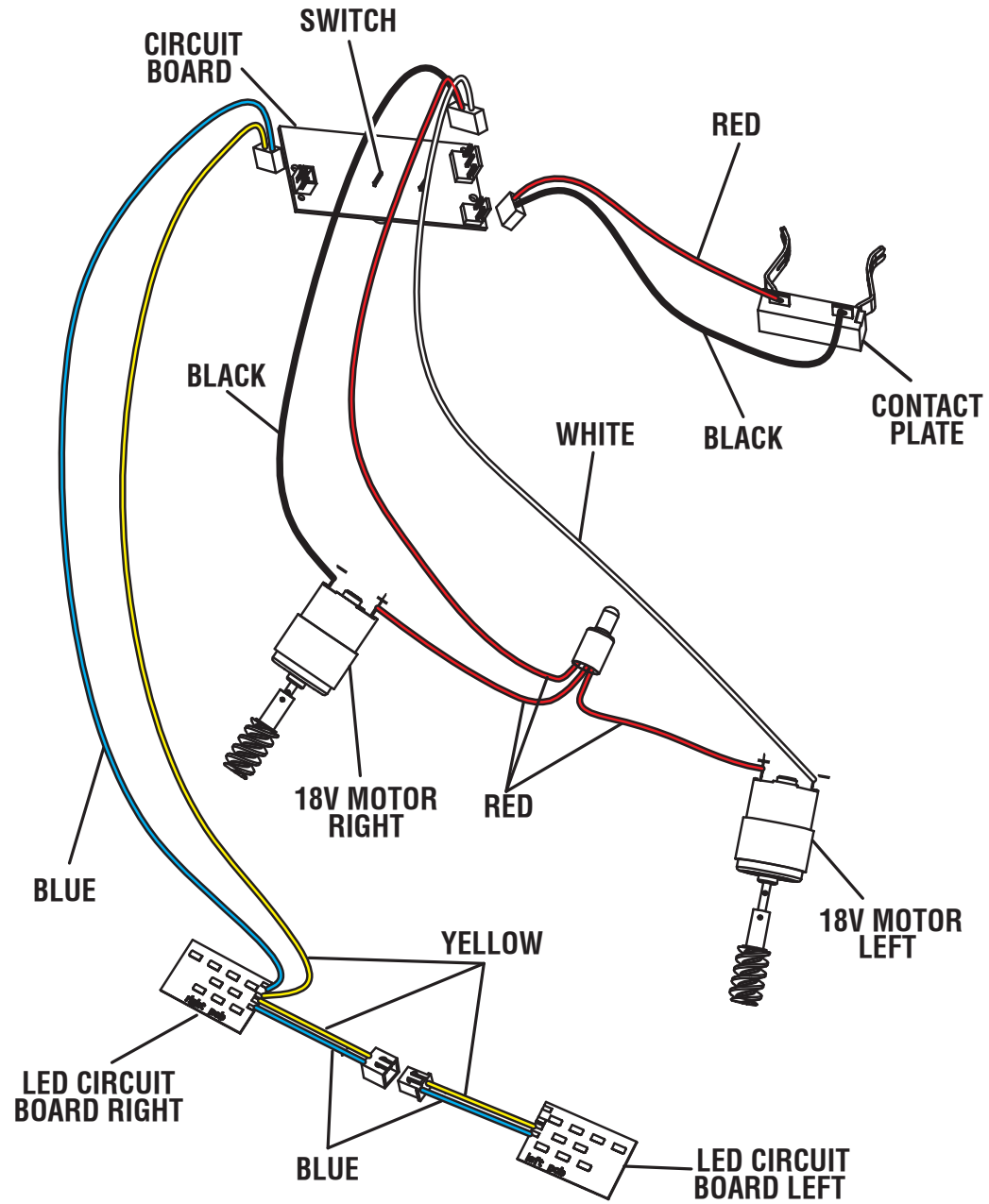
RYOBI DEBRIS SWEEPER – MODEL NUMBER P3260

The model number will be found on a label attached to the motor housing. Always mention the model number in all correspondence regarding your **DEBRIS SWEEPER** or when ordering repair parts.

PARTS LIST – FIGURE A

KEY NO.	PART NUMBER	DESCRIPTION	QTY	KEY NO.	PART NUMBER	DESCRIPTION	QTY
1	019750001101	Housing Assembly (Inc. Items A-B).....	1	22	019750001021	Brush (Left).....	1
2	019750001102	LED Light Assembly	2	23	019750001022	Motor Cover	1
3	019750001103	Wheel Assembly.....	2	24	019750001027	Absorber.....	2
4	019750001104	Motor Assembly w/Leads (Inc. Key No. 34).....	2	25	019750001036	Handle Knob	2
5	019750001105	Dust Canister Bin Assembly (Inc. Items C-D)	1	26	019750001040	Front Bracket Rubber.....	1
6	019750001106	Height Adjustment Wheel Assembly.....	1	27	019750001041	Screw (M4 x 8 mm, Pan Hd.)	6
7	019750001107	Height Adjustment Assembly	1	28	019750001063	Switch Cover Spring	1
8	019750001108	Circuit Board Assembly.....	1	29	019750001064	Switch Cover.....	1
9	019750001109	Handle Assembly	1	30	019750001065	Foot Pad (Right)	1
10	019750001037	Screw Pole	2	31	019750001066	Foot Pad (Left).....	1
11	019750001082	Wall Stop (Right).....	1	32	019750001080	Screw (M4 x 18 mm, Pan Hd.)	12
12	019750001083	Wall Stop (Left).....	1	33	019750001090	Joint Shaft (Left).....	1
13	019750001002	Bristle Push Button	2	34	019750001058	Screw (M4 x 8 mm, Pan Hd.)	4
14	019750001003	Wall Bracket	2	35	019750001110	Label Pack (Inc. Item Nos. A-D).....	1
15	019750001004	Bristle Adjuster.....	2	A		Logo Label	1
16	019750001009	Screw (M4 x 12 mm, Pan Hd.)	13	B		Devour Cordless Logo Label.....	1
17	019750001012	Wheel Shaft Holder	2	C		Warning Icon Label for Hair Ingestion.....	1
18	019750001013	Motor Gear	2	D		Data Warning Label.....	1
19	019750001014	Joint Shaft (Right).....	1	Not Shown			
20	019750001015	Brush (Right).....	1	995000356		Operator's Manual (961002009)	
21	019750001016	Brush Support.....	2	12-8-17			
				(Rev:01)			

RYOBI DEBRIS SWEEPER – MODEL NUMBER P3260



WIRING DIAGRAM