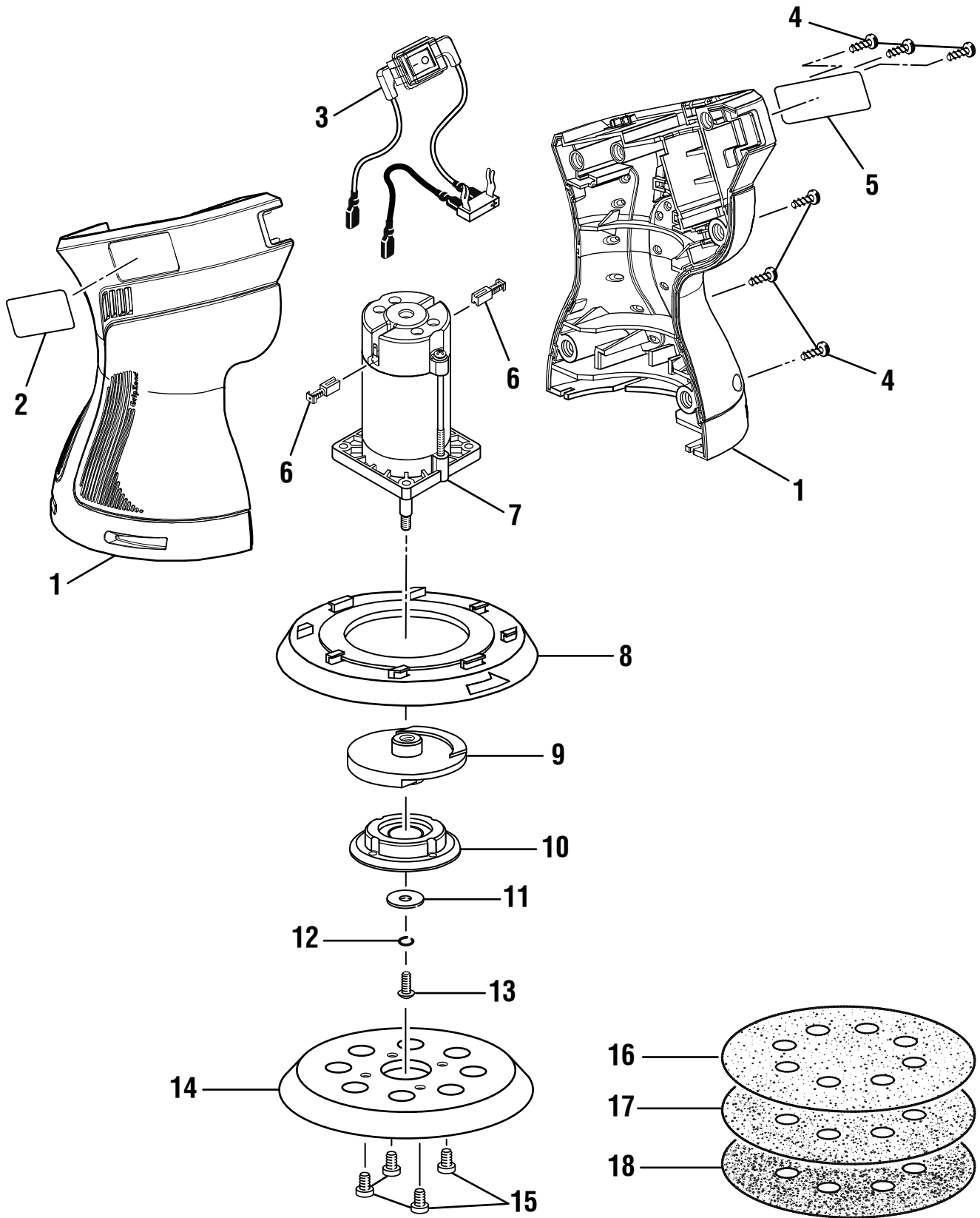


RYOBI 18 VOLT SANDER – MODEL NUMBER P410



RYOBI 18 VOLT SANDER – MODEL NUMBER P410

The model number will be found on a plate attached to the motor housing. Always mention the model number in all correspondence regarding your **SANDER** or when ordering repair parts.

PARTS LIST

KEY NO.	PART NUMBER	DESCRIPTION	QTY.
1	019284001011	Housing Assembly	1
2	019284001013	Logo Label	1
3	019284001014	Switch Assembly	1
4	019284001010	Screw (M4 X 16 mm)	6
5	019284001012	Data Label	1
6	019284001036	Brush Assembly	2
7	019284001009	Motor Assembly	1
8	019284001008	Brake	1
9	019284001007	Counterbalance	1
10	019284001035	Bearing Cap with Bearing	1
11	019284001004	Washer	1
12	019284001034	* Lock Washer	1
13	019284001003	* Screw (M5 X 8 mm)	1
14	019284001002	Pad	1
15	019284001001	* Screw (M5 X 6 mm)	4
16	019284001017	Sanding Disc #240	1
17	019284001016	Sanding Disc #120	1
18	019284001015	Sanding Disc #60	1
	987000005	Operator's Manual (019284001022)	
	7-31-06 (REV:01)		

* Standard Hardware Item – May Be Purchased Locally