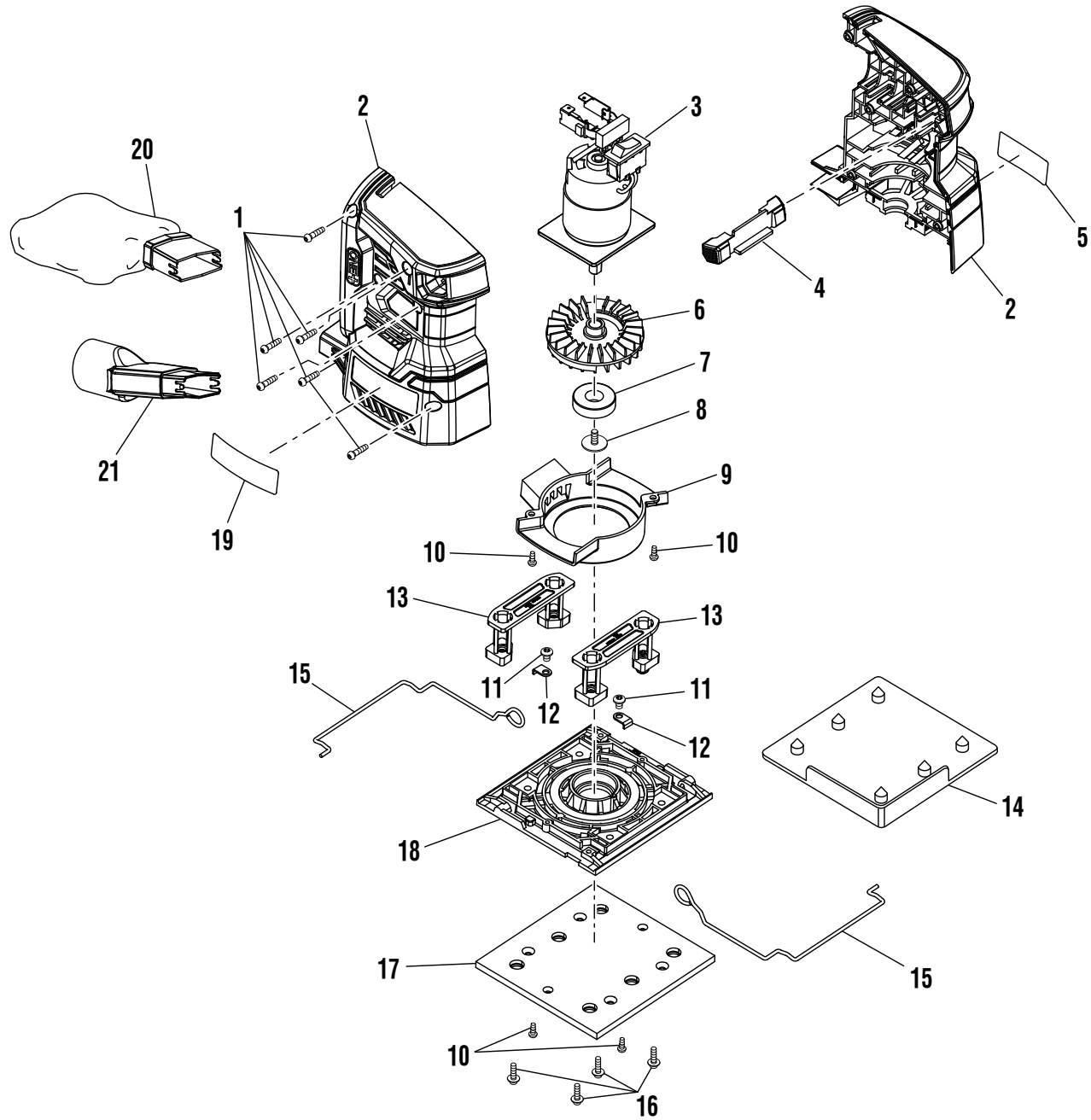


RYOBI
1/4 SHEET SANDER
Model No. P440
Repair Sheet

RYOBI SHEET SANDER – MODEL NO. P440

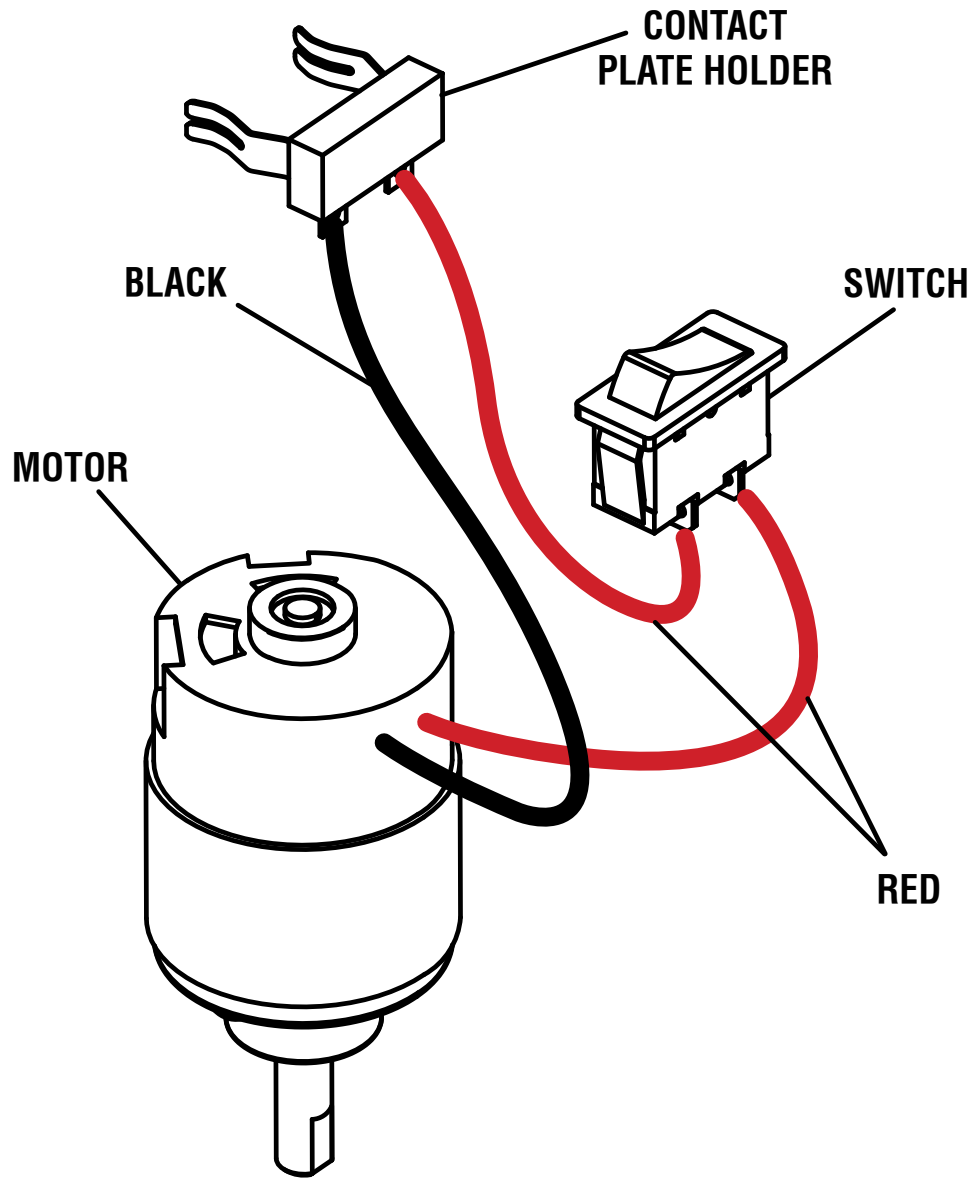


RYOBI SHEET SANDER – MODEL NO. P440

The model number will be found on a label attached to the housing. Always mention the model number in all correspondence regarding your **SANDER** or when ordering replacement parts.

PARTS LIST

| KEY NO. | PART NUMBER | DESCRIPTION | QTY | KEY NO. | PART NUMBER | DESCRIPTION | QTY |
|---------|-------------|--|-----|-------------------|-------------|--|-----|
| 1 | 660815002 | Screw (M3.5 x 13.5 mm, T10 Torx Pan Hd. S.T.) | 6 | 15 | 695969001 | Paper Clamp | 2 |
| 2 | 204438001 | Housing Assembly (Incl. Keys Nos. 5 and 19) .. | 1 | 16 | 661043002 | Screw w/Washer (M3 x 15 mm, T10 Torx Pan Hd.) | 4 |
| 3 | 206548001 | Motor And Switch Assembly | 1 | 17 | 204441001 | Plate w/Cushion Assembly | 1 |
| 4 | 532266001 | Actuator | 1 | 18 | 204440001 | Platen Assembly | 1 |
| 5 | 940114179 | Logo Label | 1 | 19 | 941121816 | Data Label | 1 |
| 6 | 642964001 | Fan | 1 | 20 | 204442001 | Dust Bag Assembly | 1 |
| 7 | 681053001 | Ball Bearing (6601 2RS CW) | 1 | 21 | 532277001 | Hose Adaptor (Optional) | 1 |
| 8 | 660369006 | Screw w/Washer (8-32 x 3/8 in., T20 Torx Pan Hd.) | 1 | Not Shown: | | | |
| 9 | 532275001 | Fan Guide | 1 | | 903302001 | Sandpaper (80 Grit) | |
| 10 | 660438002 | Screw (M3 x 8 mm, T10 Torx Pan Hd.) | 4 | | 903303001 | Sandpaper (120 Grit) | |
| 11 | 660367005 | Screw (6-19 x 5/16 in., T15 Torx Pan Hd.) | 2 | | 903304001 | Sandpaper (220 Grit) | |
| 12 | 637874001 | Retaining Plate | 2 | | 995000125 | Operator's Manual (961152682) | |
| 13 | 312399001 | Post Cushion | 2 | | 1-19-17 | | |
| 14 | 532281001 | Paper Punch | 1 | | (Rev:02) | | |



WIRING DIAGRAM