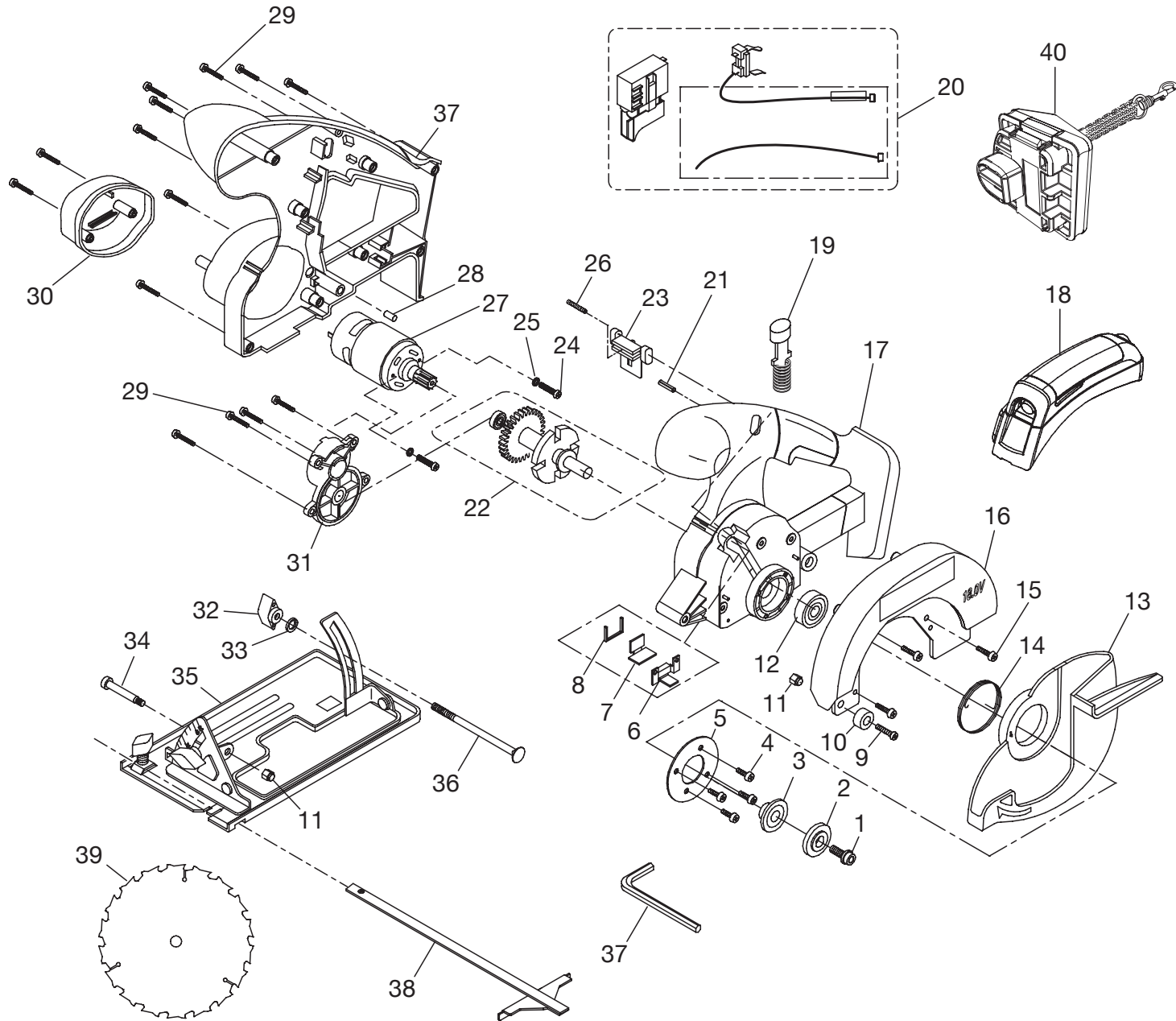


RYOBI 18 VOLT CORDLESS TRIM SAW MODEL NUMBER P500



RYOBI 18 VOLT CORDLESS TRIM SAW MODEL NUMBER P500

The model number will be found on a plate attached to the motor housing. Always mention the model number in all correspondence regarding your **CORDLESS TRIM SAW** or when ordering repair parts.

PARTS LIST

KEY NO.	PART NUMBER	DESCRIPTION	QTY.	KEY NO.	PART NUMBER	DESCRIPTION	QTY.
1	6614401	* SCREW (M6 X 16 mm LH).....	1	27	2303328	MOTOR ASSEMBLY.....	1
2	6112101	OUTER BLADE WASHER.....	1	28	5621901	CONTACT PLATE STOPPER	1
3	6112004	INNER BLADE WASHER	1	29	6620803	* SCREW (M4 X 22 mm PAN HD).....	14
4	6600506	SCREW.....	4	30	5314909	END CAP	1
5	6850303	BEARING RETAINER	1	31	3020811	GEAR CASING ASSEMBLY.....	1
6	6322602	COVERING PLATE.....	1	32	5224501	KNOB	1
7	9030308	SEALING PAD.....	1	33	5228001	WASHER	1
8	631030001	COVER PLATE.....	1	34	6614501	* SCREW (M5 X 40 mm).....	1
9	6619302	* SCREW (M5 X 15.5 mm PAN HD.)	1	35	300255021	BASE ASSEMBLY.....	1
10	5217802	BUMPER	1	36	6614301	BOLT.....	1
11	6797401	* LOCK NUT (M5).....	2	37	6800201	* HEX KEY (M5).....	1
12	6807001	BALL BEARING (6000ZZ).....	1	38	6795708	EDGE GUIDE	1
13	550994006	LOWER BLADE GUARD.....	1	39	6797329	BLADE	1
14	6867201	TORSION SPRING	1	40	200292003	PLUG-IN LANYARD.....	1
15	660205011	* SCREW (M3 X 14 mm)	3	41	940241004	WARNING LABEL (NOT SHOWN).....	1
16	640568005	UPPER GUARD	1	42	940241009	HANDLE WARNING LABEL (NOT SHOWN)..	1
17	200202258	HOUSING ASSEMBLY W/LABEL.....	1	43	940271025	DATA LABEL (NOT SHOWN)	1
18	301014005	LASER POINTER ATTACHMENT.....	1	44	940272007	LOGO PLATE.....	1
19	3033215	SHAFT LOCK.....	1	45	1423701	CHARGER (NOT SHOWN)	1
20	270011041	SWITCH ASSEMBLY	1	46	130224028	BATTERY (NOT SHOWN)	1
21	6763101	SPRING PIN	1	47	940299619	LASER WARNING LABEL	1
22	3000339	OUTPUT SHAFT ASSEMBLY	1	48	940241012	WARNING LABEL.....	1
23	520173015	SAFETY KNOB	1		983000535	OPERATOR'S MANUAL	
24	6621204	* SCREW (M4 X 16 mm PAN HD.).....	2		983000535R	REPAIR SHEET (REV:00)	
25	6703001	SPRING WASHER.....	2		11-22-04		
26	6799802	SPRING	1				

* Standard Hardware Item – May Be Purchased Locally