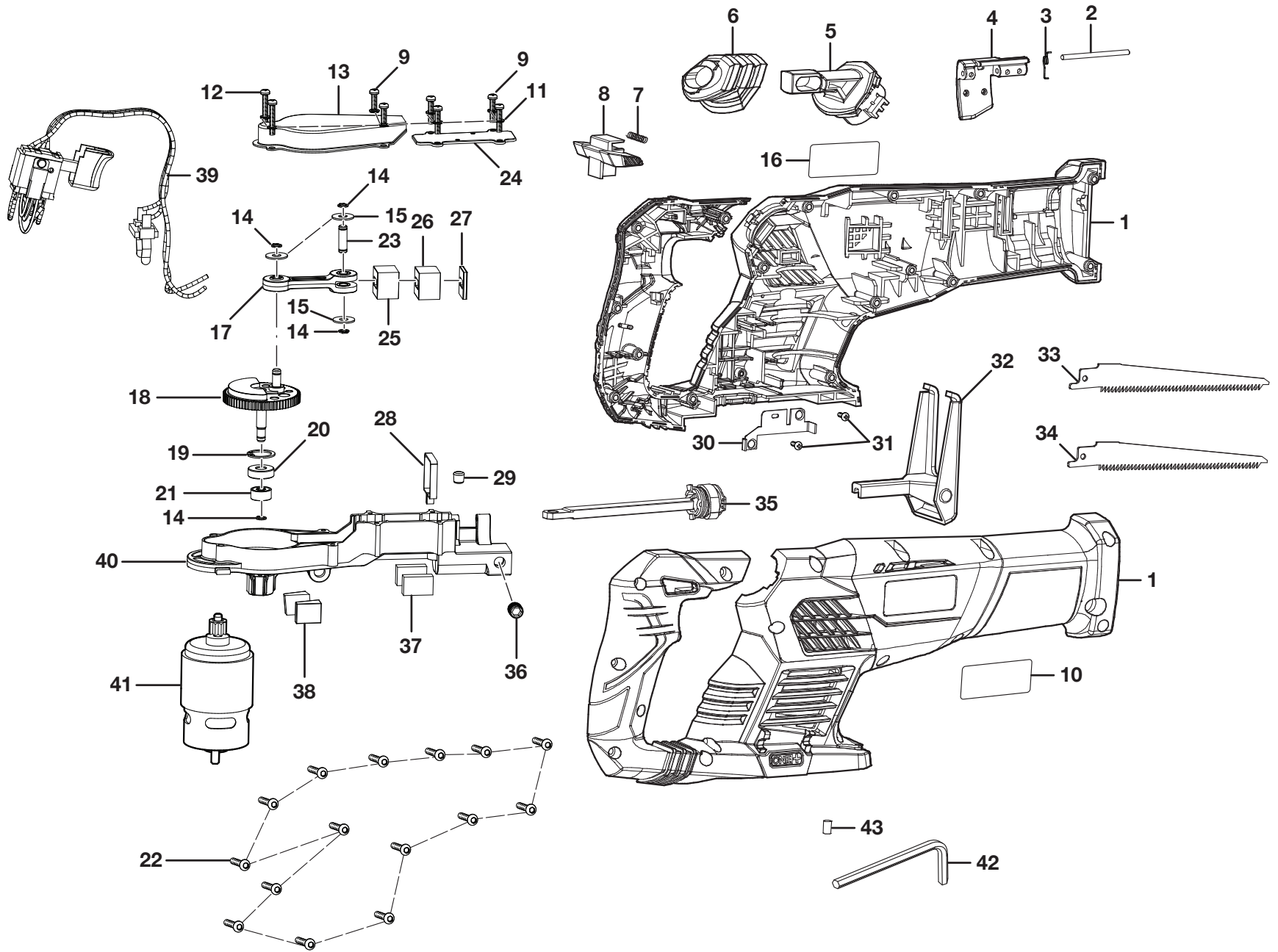


RYOBI 18.0 VOLT CORDLESS RECIPROCATING SAW - MODEL NUMBER P514



RYOBI 18.0 VOLT CORDLESS RECIPROCATING SAW – MODEL NUMBER P514

The model number will be found on a label attached to the motor housing. Always mention the model number in all correspondence regarding your **RECIPROCATING SAW** or when ordering repair parts.

PARTS LIST

KEY NO.	PART NUMBER	DESCRIPTION	QTY	KEY NO.	PART NUMBER	DESCRIPTION	QTY
1	201959001	Housing Assembly.....	1	25	672355003	Slide Bushing.....	1
2	690476001	Pin.....	1	26	672353003	Front Slide Bushing	1
3	690475001	Torsion Spring.....	1	27	901512001	Fiber Sheet (20.5 x 16.9 x 3 mm)	1
4	304552001	Blade Clamp Lock/Release Lever	1	28	561319001	Foam Rubber.....	1
5	523283001	Connecting Rod (Handle)	1	29	5670401	Rubber Bumper	1
6	562774001	Rubber Sleeve	1	30	633766001	Wire Guard.....	1
7	6799802	Compression Spring.....	1	31	660221008	Screw (M2.6 x 6 mm).....	2
8	523282001	Lock-off Button.....	1	32	300216046	Shoe Assembly.....	1
9	6616501	Screw (M4 x 14 mm, Pan Hd.).....	6	33	690292006	Wood Cutting Blade	1
10	940488273	Data Label	1	34	690291006	Metal Cutting Blade.....	1
11	670030004	Spring Washer	8	35	300309032	Sliding Rod Assembly w/Quick Release	1
12	660212072	Screw (M4 x 26 mm, Pan Hd.).....	2	36	6617001	Screw (M10 x 10 mm, Hex Soc. Hd.).....	1
13	680998002	Gear Case Cover	1	37	5670301	Rubber Wedge.....	2
14	670704001	Retaining Ring	4	38	5672301	Rubber Pad	2
15	690915019	Washer (OD16 x ID6.3 x 1.2t).....	3	39	270001505	Switch Assembly	1
16	940304497	Logo Label.....	1	40	641761001	Gear Case Support.....	1
17	641201001	Connecting Rod (Gear and Sliding Rod)	1	41	230074015	Motor Assembly	1
18	300308037	Gear Assembly	1	42	6800201	Hex Key (5 mm)	1
19	6902501	Retaining Ring	1	43	560219003	Rubber Bumper	1
20	681565001	Ball Bearing (607zz).....	1	Not Shown:			
21	681566001	Ball Bearing (696zz).....	1	988000658	Operator's Manual	1	
22	660024015	Screw (M4 x 14 mm, Pan Hd.).....	15	9-6-11			
23	681081002	Pin.....	1	(Rev:03)			
24	633372001	Sliding Rod Cover.....	1				