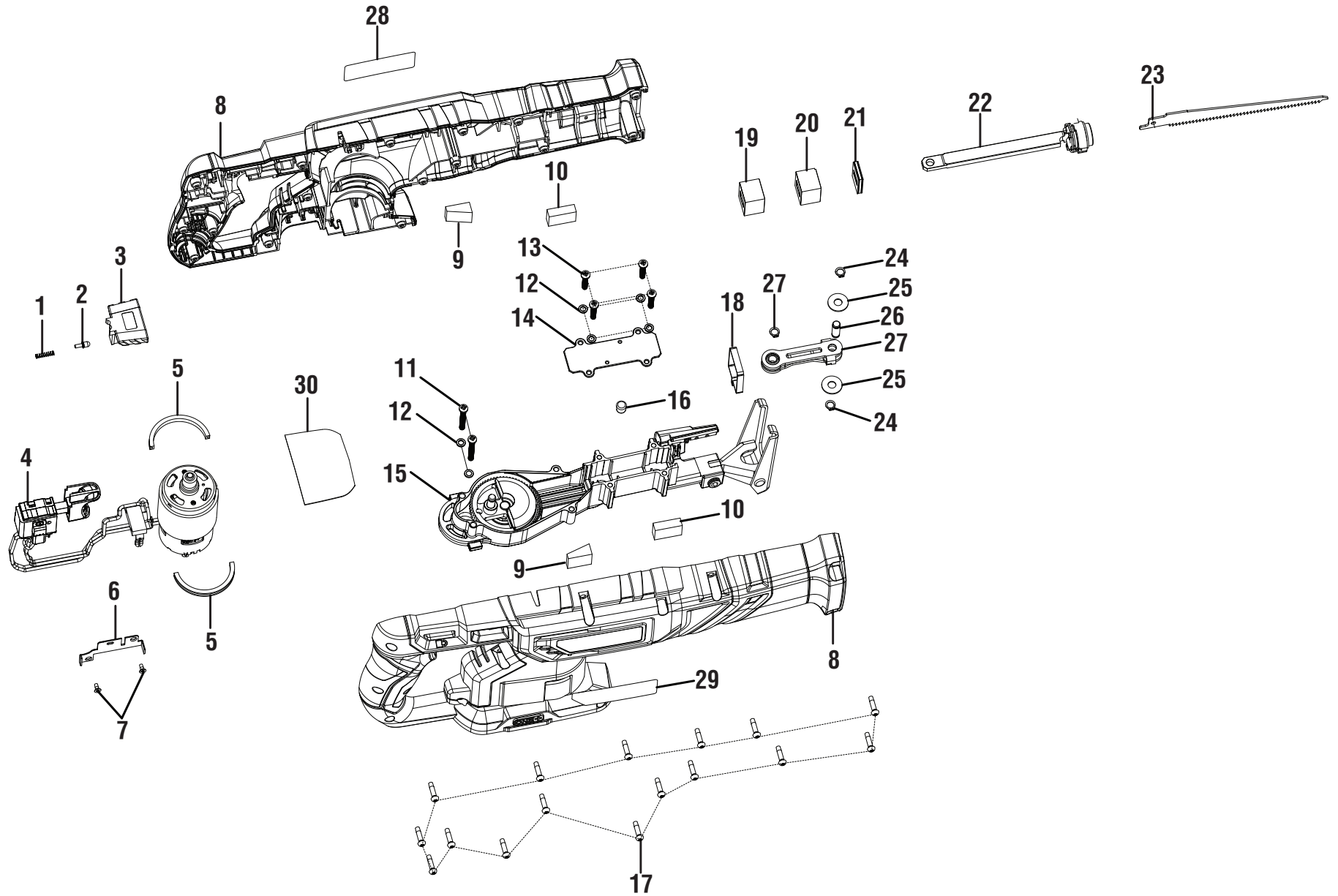


RYOBI
18 Volt Cordless Reciprocating Saw
Model Number P519
Repair Sheet

ONE WORLD TECHNOLOGIES, INC.
P.O. Box 1288, Anderson, SC 29622 • Phone 1-800-525-2579
www.ryobitools.com

RYOBI 18 VOLT CORDLESS RECIPROCATING SAW – MODEL NUMBER P519



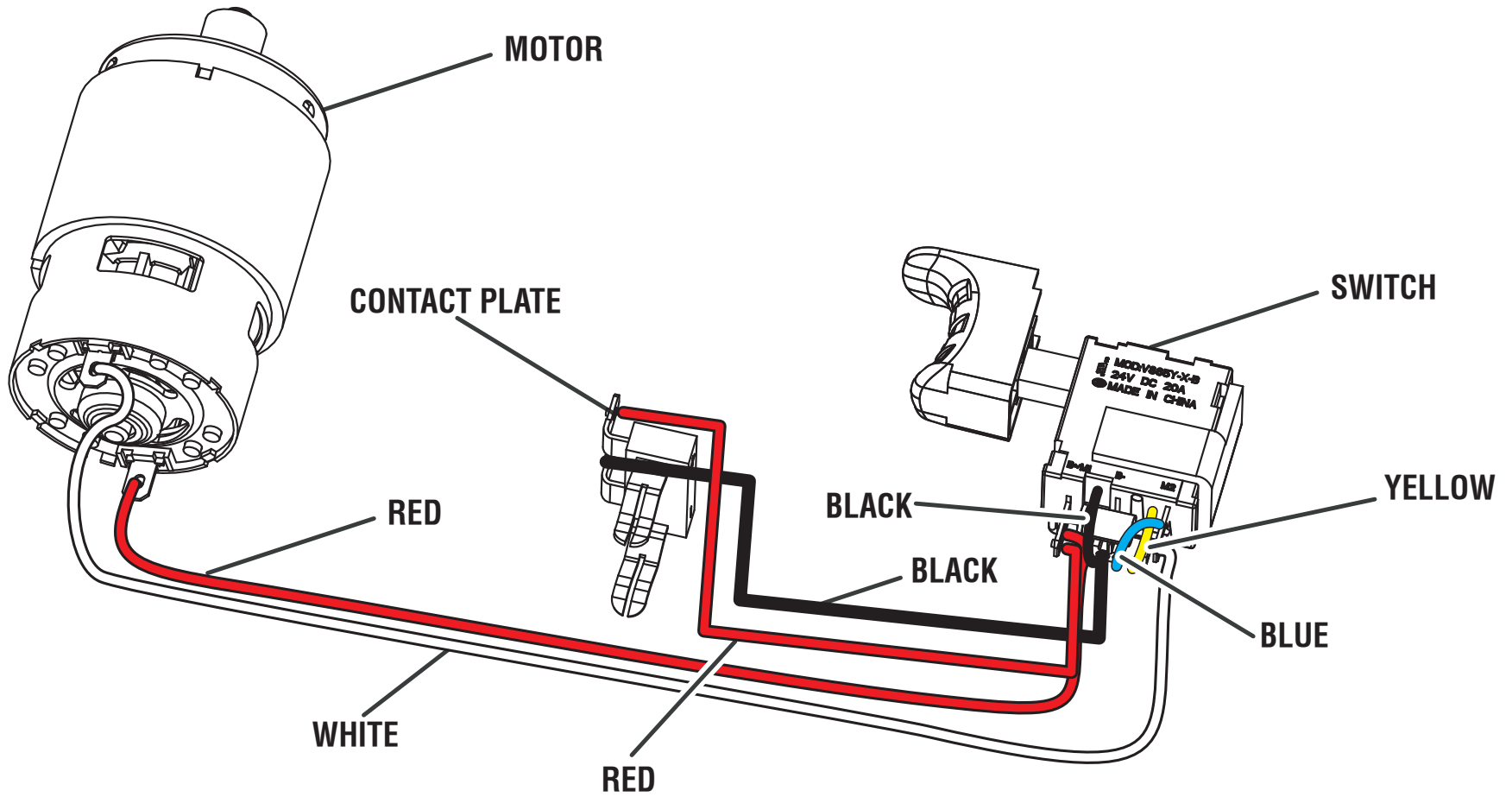
RYOBI 18 VOLT CORDLESS RECIPROCATING SAW – MODEL NUMBER P519

The model number will be found on a label attached to the motor housing. Always mention the model number in all correspondence regarding your **RECIPROCATING SAW** or when ordering repair parts.

PARTS LIST

KEY NO.	PART NUMBER	DESCRIPTION	QTY	KEY NO.	PART NUMBER	DESCRIPTION	QTY
1	692177001	Compression Spring.....	1	18	561319001	Foam Rubber.....	1
2	526010001	Lock Pin.....	1	19	672355003	Rear Sliding Bushing	1
3	369481001	Lock-Off Button.....	1	20	672353003	Front Sliding Bushing	1
4	206905001	Switch and Motor Assembly	1	21	901512001	Foam Rubber.....	1
5	570264001	Motor Cushion.....	2	22	300309048	Sliding Rod w/Blade Clamp Assembly.....	1
6	633766002	Wire Guard.....	1	23	690291037	Blade (Wood Cutting)	1
7	660221008	Screw (M2.6 x 6 mm).....	2	24	670704001	Retaining Ring	3
8	204784005	Housing Assembly.....	1	25	690915019	Washer (OD16 x ID6.3 x 1.2 mm)	2
9	560723001	Rubber Pad	2	26	674012001	Pin.....	1
10	560703001	Rubber Wedge.....	2	27	204126007	Connecting Rod Assembly.....	1
11	660212073	Screw (M4 x 26 mm, Pan Hd.).....	2	28	940304497	Logo Label.....	1
12	670030004	Washer (OD7.2 x ID4.2 x 1)	6	29	941122265	Data Label	1
13	660165011	Screw (M4 x 12 mm, T20 Torx Pan Hd.).....	4	30	941120465	Warning Label.....	1
14	633372001	Rod Cover	1	Not Shown:			
15	206919001	Gear Case, Shoe & Blade Clamp Assembly.....	1	995000901	Operator's Manual		
16	560704001	Rubber Cushion.....	1	9-19-19			
17	662565001	Screw (M3.5 x 14 mm, T10 Torx Pan Hd.).....	16	(Rev:01)			

RYOBI 18 VOLT CORDLESS RECIPROCATING SAW – MODEL NUMBER P519



WIRING DIAGRAM