

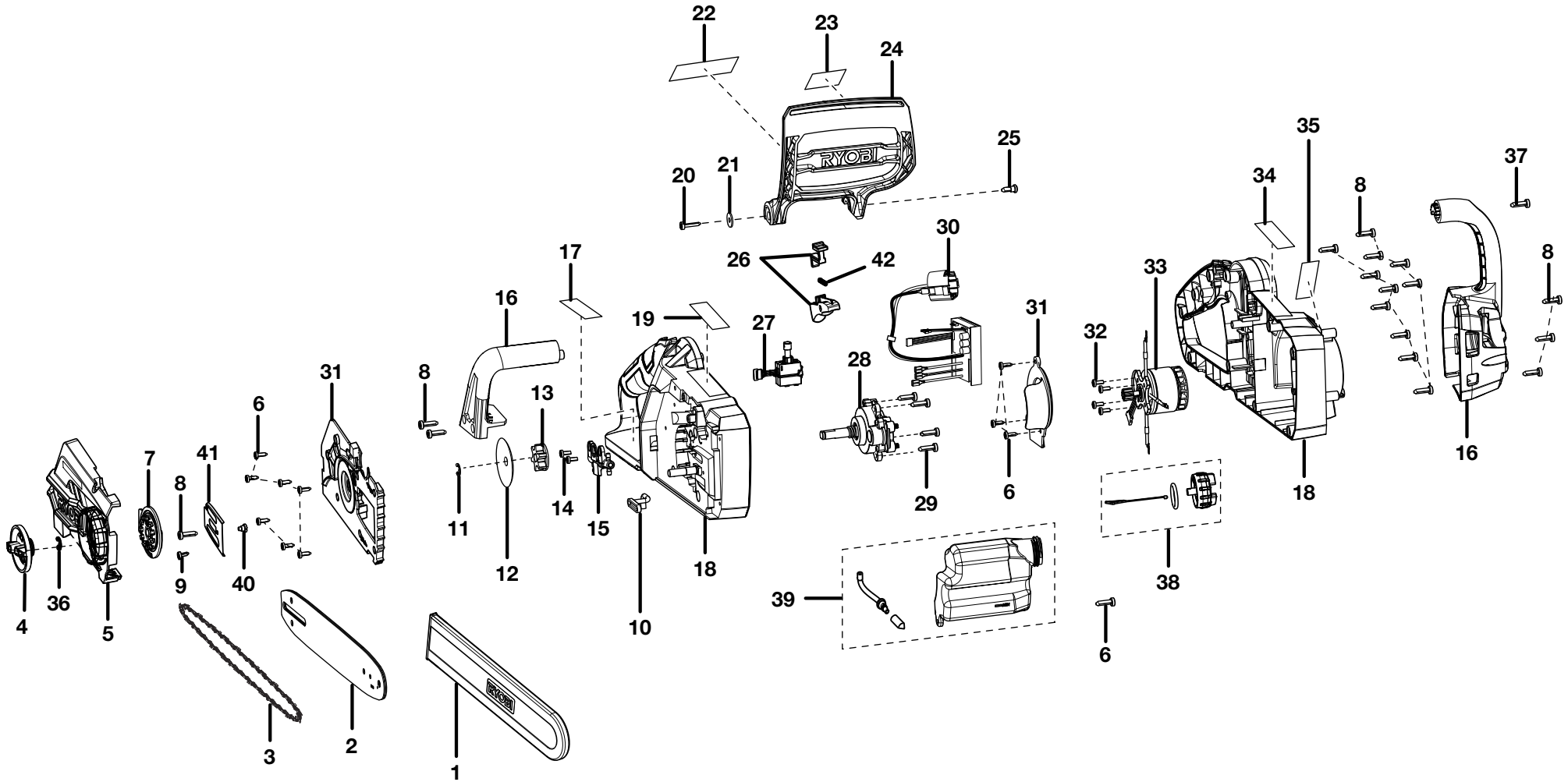
RYOBI
18 Volt Chain Saw
Item Number P548
Mfg. No. 107251005
Repair Sheet

ONE WORLD TECHNOLOGIES, INC.

1428 Pearman Dairy Road, Anderson, SC 29625 • Phone 1-800-525-2579
États-Unis, Téléphone 1-800-525-2579 • USA, Teléfono 1-800-525-2579

www.ryobitools.com

FIGURE A

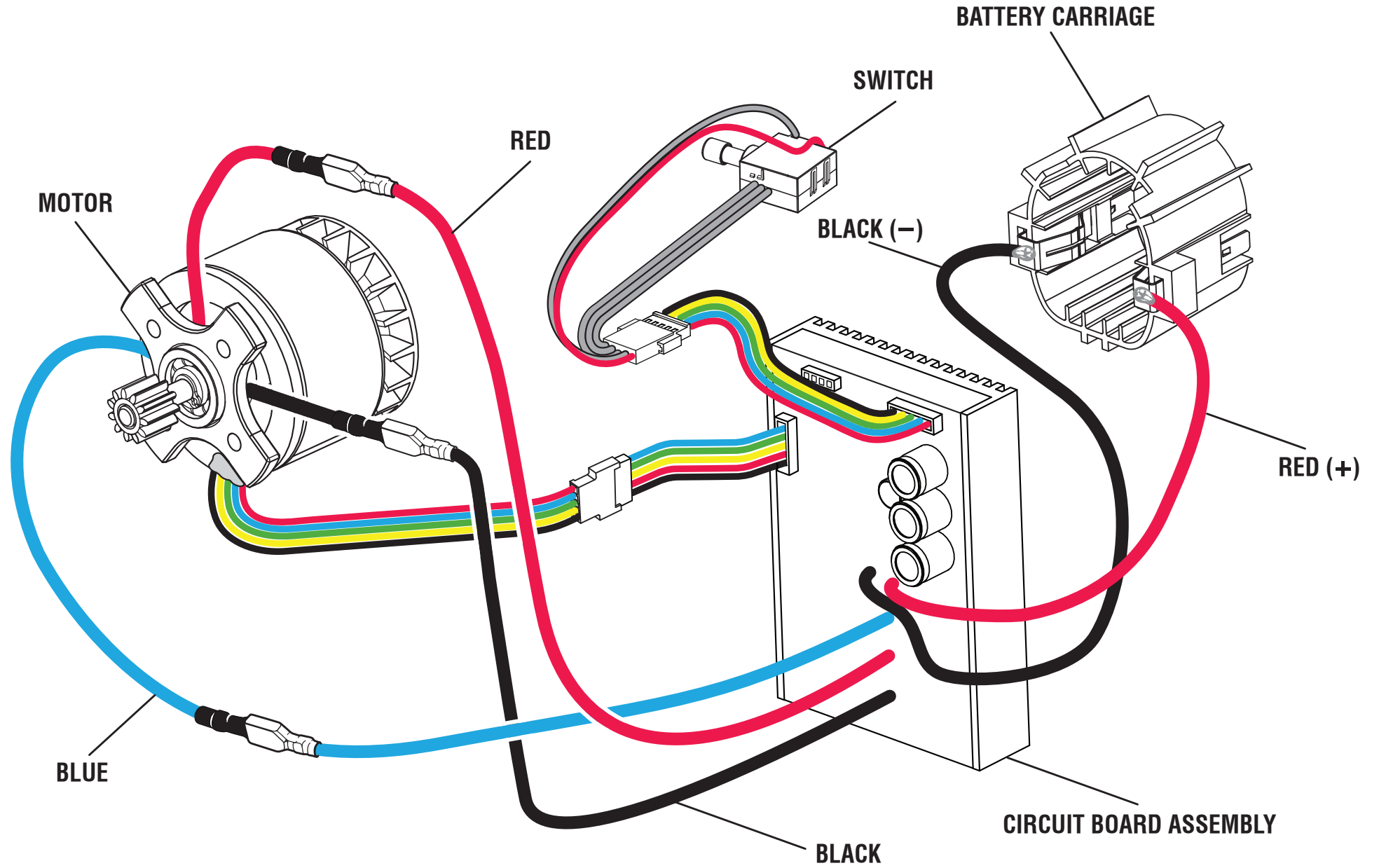


RYOBI CHAIN SAW – MODEL P548

FIGURE A PARTS LIST

KEY NO.	PART NUMBER	DESCRIPTION	QTY	KEY NO.	PART NUMBER	DESCRIPTION	QTY
1	580279001	Scabbard (12 in.).....	1	23	940657255	Warning Icon Label (Top).....	1
2	312637001	Guide Bar (12 in.)	1	24	204589001	Front Handle Guard (Incl. Key Nos. 22-23).....	1
3	682117001	Chain (12 in.)	1	25	662113001	Screw (M5 x 15 mm, T25 Torx Hd.).....	1
4	527411001	Chain Tensioner Adjustment Knob.....	1	26	204590001	Trigger Assembly (Inc. Key No. 42).....	1
5	360065001	Side Cover Assembly.....	1	27	760579003	Switch	1
6	660608001	Screw (M4 x 12 mm)	11	28	204607001	Gear Box w/Output Shaft Assembly.....	1
7	312428001	Chain Tensioner Assembly.....	1	29	661189003	Screw (M4 x 18 mm, T15 Torx Hd.).....	4
8	662051003	Screw (#10-14 x 18 mm, T25 Torx Hd.)	17	30	291745001	Battery Carriage and Circuit Board Assembly	1
9	660608004	Screw (M4 x 12 mm, T20 Torx Hd.).....	1	31	204588001	Brake and Volute Cover Assembly.....	1
10	563438001	Outlet Tube.....	1	32	660502004	Screw (M5 x 8 mm, Pan Hd.)	4
11	636159001	E-Ring	1	33	312430001	Motor Assembly	1
12	635367001	Cap Washer.....	1	34	940657257	Warning Label (English).....	1
13	612313001	Sprocket.....	1	35	940657259	Warning Label (Spanish)	1
14	660610001	Screw (M4 x 9.5 mm)	2	36	636317001	Retaining Ring.....	1
15	309514001	Oil Pump Assembly.....	1	37	662053002	Screw (M5 x 22, T20 Torx Hd.).....	1
16	205021001	Front Handle and Motor Housing Assembly.....	1	38	340213002	Oil Cap Assembly.....	1
17	941588160	Data Label.....	1	39	390033001	Oil Tank Assembly.....	1
18	204591001	Housing Assembly (Incl. Key Nos. 17, 19 and 34-35).....	1	40	662114002	Screw (M4 x 6 mm)	1
19	940657258	Warning Label (French)	1	41	637723002	Guide Bar Plate	1
20	660608005	Screw (M4 x 21 mm, T20 Torx Hd.).....	1	42	694143001	Compression Spring (Trigger Lock).....	1
21	638988001	Washer (65 mm)	1		Not Shown:		
22	940657256	Warning Icon Label (Bottom).....	1		995000208	Operator's Manual (960087177)	
					6-21-17		
					(Rev:01)		

RYOBI CHAIN SAW – MODEL P548



WIRING DIAGRAM