

**RYOBI**  
**7-1/4 in. 18 VOLT COMPOUND MITER SAW**  
**MODEL NUMBER P552**  
**REPAIR SHEET**

RYOBI 7-1/4 in. 18 VOLT COMPOUND MITER SAW – MODEL NO. P552

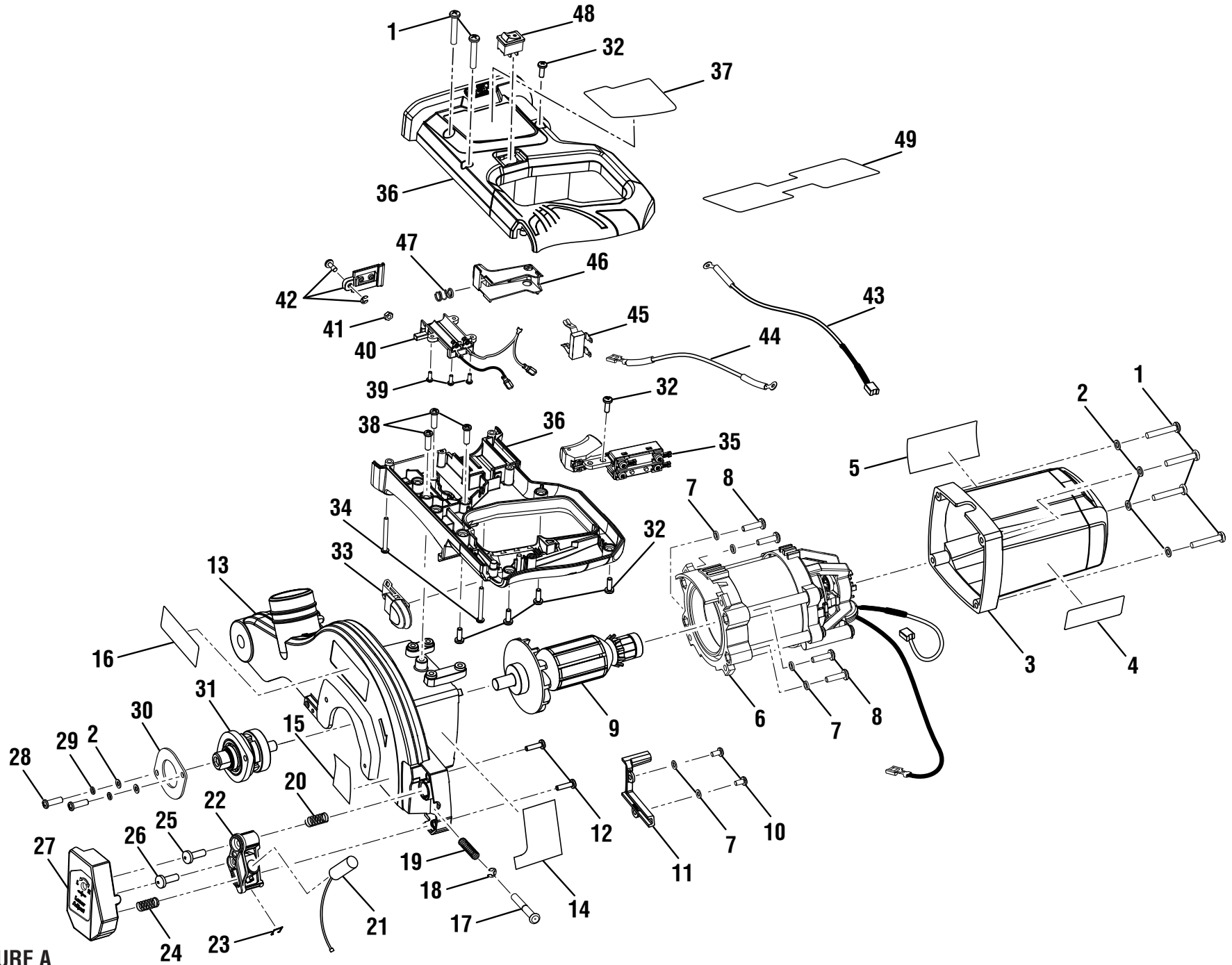


FIGURE A

## RYOBI 7-1/4 in. 18 VOLT COMPOUND MITER SAW – MODEL NO. P552

The model number will be found on a label attached to the motor housing. Always mention the model number in all correspondence regarding your 7-1/4 in. **COMPOUND MITER SAW** or when ordering parts.

### PARTS LIST FOR FIGURE A

KEY NO.	PART NUMBER	DESCRIPTION	QTY	KEY NO.	PART NUMBER	DESCRIPTION	QTY
1	089240007021	Screw (M5 x 30 mm, Pan Hd.).....	6	26	089041014007	Screw (M4 x 18 mm, Pan Hd.).....	1
2	089240006138	Washer (OD9 x ID5 x 1t) .....	6	27	089240007042	Laser Cover .....	1
3	089240007023	Motor Housing (Inc. Key Nos. 16 and 25)....	1	28	089240007001	Screw (M5 x 20 mm, Pan Hd.).....	2
4	089240001905	Logo Label .....	1	29	089240006137	Lock Washer (D5).....	2
5	089240007901	Data Label.....	1	30	089240006088	Bearing Plate .....	1
6	089240007706	Field Assembly (Inc. Key Nos. 7-8).....	1	31	089240007002	Arbor Shaft Assembly.....	1
7	089240006139	Washer (D4) .....	6	32	089240007005	Screw (M4.2 x 13 mm, Pan Hd.).....	6
8	089240007036	Screw (M4 x 15 mm, Pan Hd.).....	4	33	089240007013	Trigger Lock Button .....	1
9	089240007703	Armature w/Bearings .....	1	34	089240007006	Screw (M3.5 x 32 mm, Pan Hd.).....	2
10	089240006143	Screw (M4 x 8 mm, Pan Hd.).....	2	35	089240007022	Main Switch .....	1
11	089041014013	Wire Cover .....	1	36	089240007705	Handle Assembly (Inc. Key No. 37) .....	1
12	089240007039	Screw (M4.2 x 16 mm, Pan Hd. S.T.).....	2	37	089240007904	Warning Label (English) .....	1
13	089240007704	Upper Blade Guard Assembly (Inc. Key Nos. 14-16) .....	1	38	089240007008	Screw (M5 x 16 mm).....	3
14	089041014902	Aperture Warning Label .....	1	39	089240007009	Screw (2.9 x 8 mm, Pan Hd.).....	3
15	089240001907	Pivot Plate Warning Label.....	1	40	089240007708	Battery Box Assembly .....	1
16	089240006903	Logo Label .....	1	41	089240007014	Hex Nut (M4).....	1
17	089240006099	Blade Lock Pin.....	1	42	089240007707	Battery Cover Assembly .....	1
18	089240007037	C-Clip (D4) .....	1	43	089240007026	Lead w/Brush and Terminal (Red).....	1
19	089240006097	Compression Spring .....	1	44	089240007047	Lead w/Terminal (White).....	1
20	089041014012	Compression Spring .....	1	45	089240007010	Contact Plate .....	1
21	089041014011	Laser .....	1	46	089240007019	Switch Trigger .....	1
22	089041014010	Laser Carrier .....	1	47	089240007018	Compression Spring.....	1
23	089041014009	Clip.....	1	48	089240006133	Laser Switch .....	1
24	089041014008	Compression Spring.....	1	49	089240007902	Warning Label (French/Spanish).....	1
25	089041014006	Screw (M4 x 28 mm, Pan Hd.).....	1				

RYOBI 7-1/4 in. 18 VOLT COMPOUND MITER SAW – MODEL NO. P552

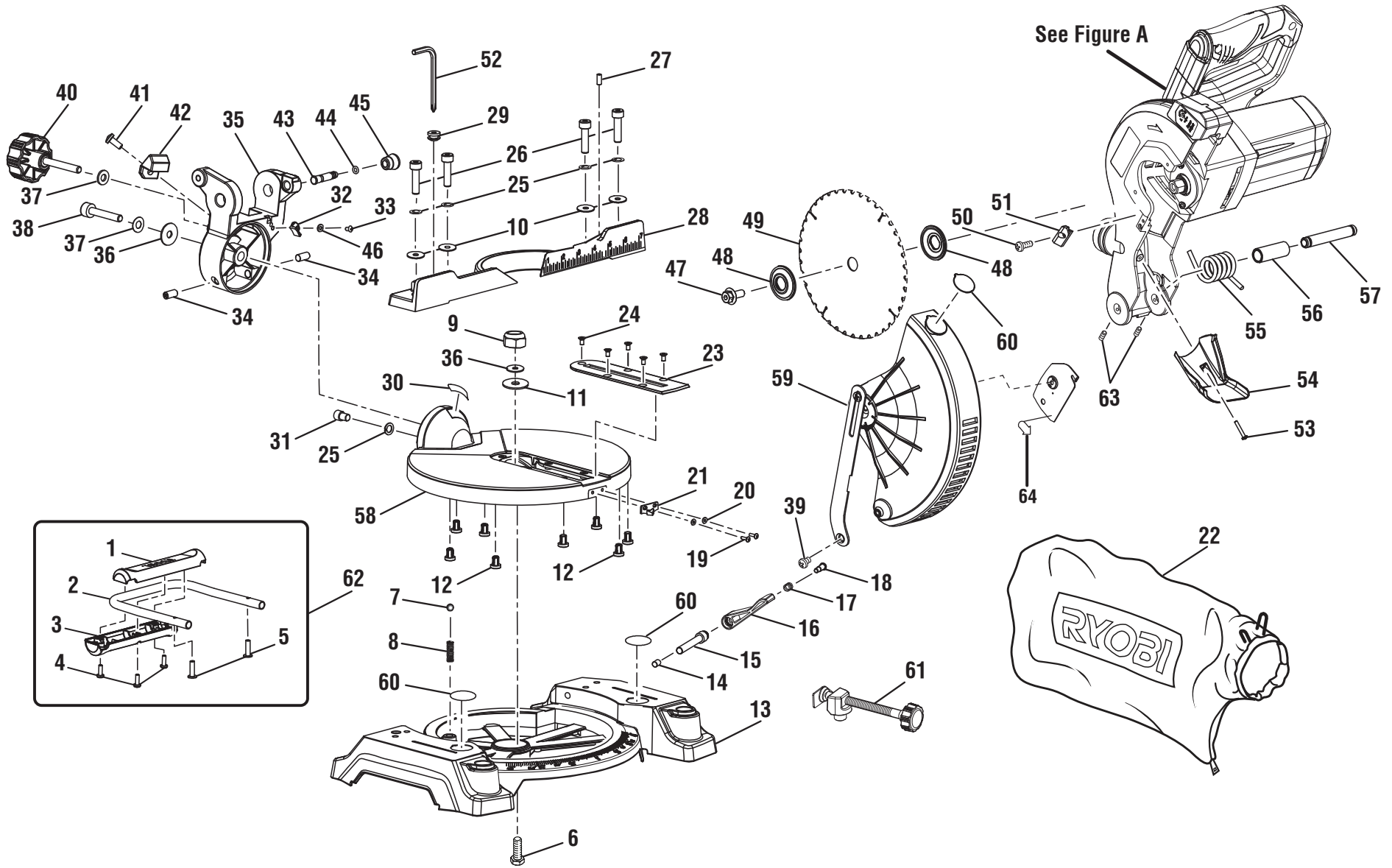
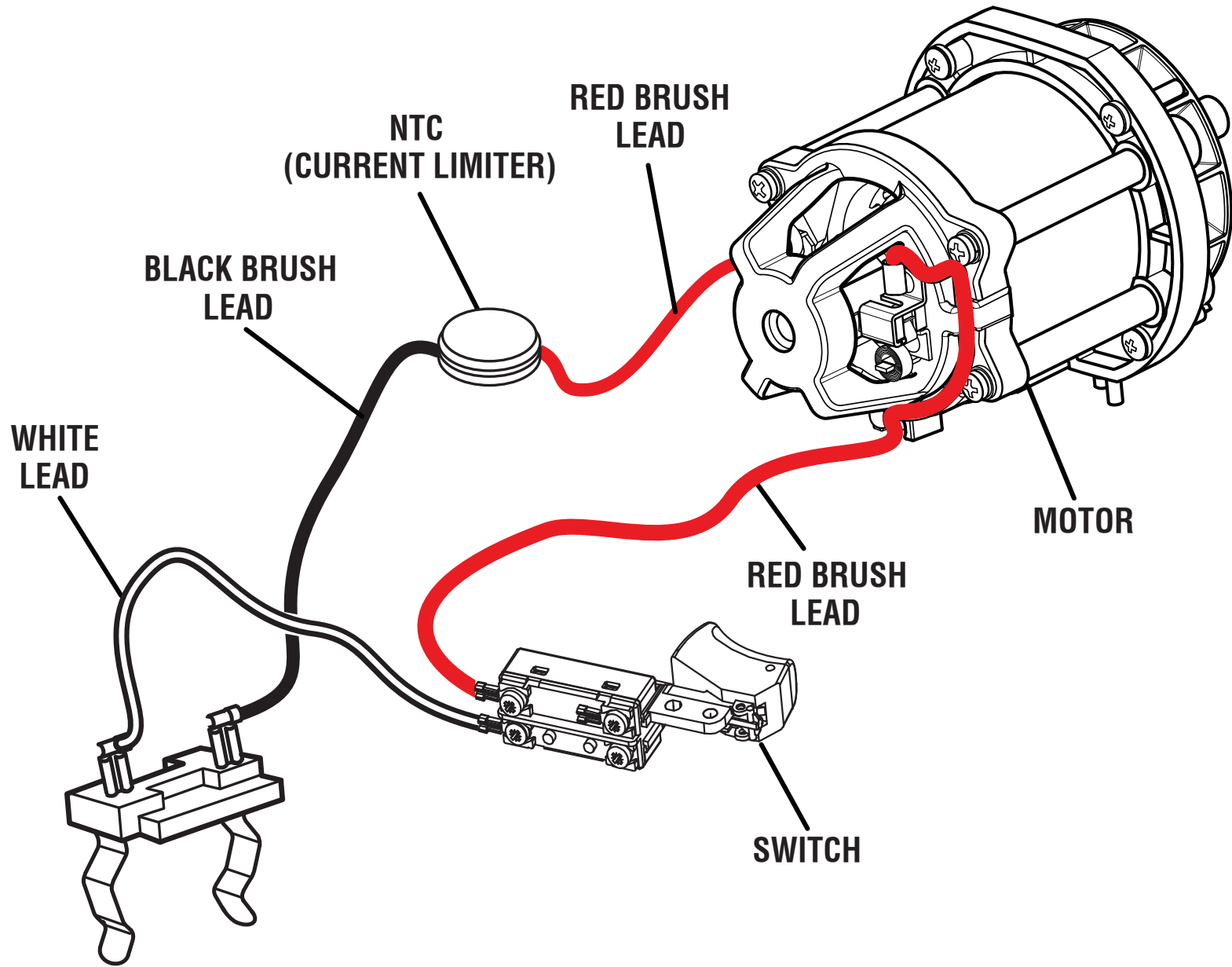


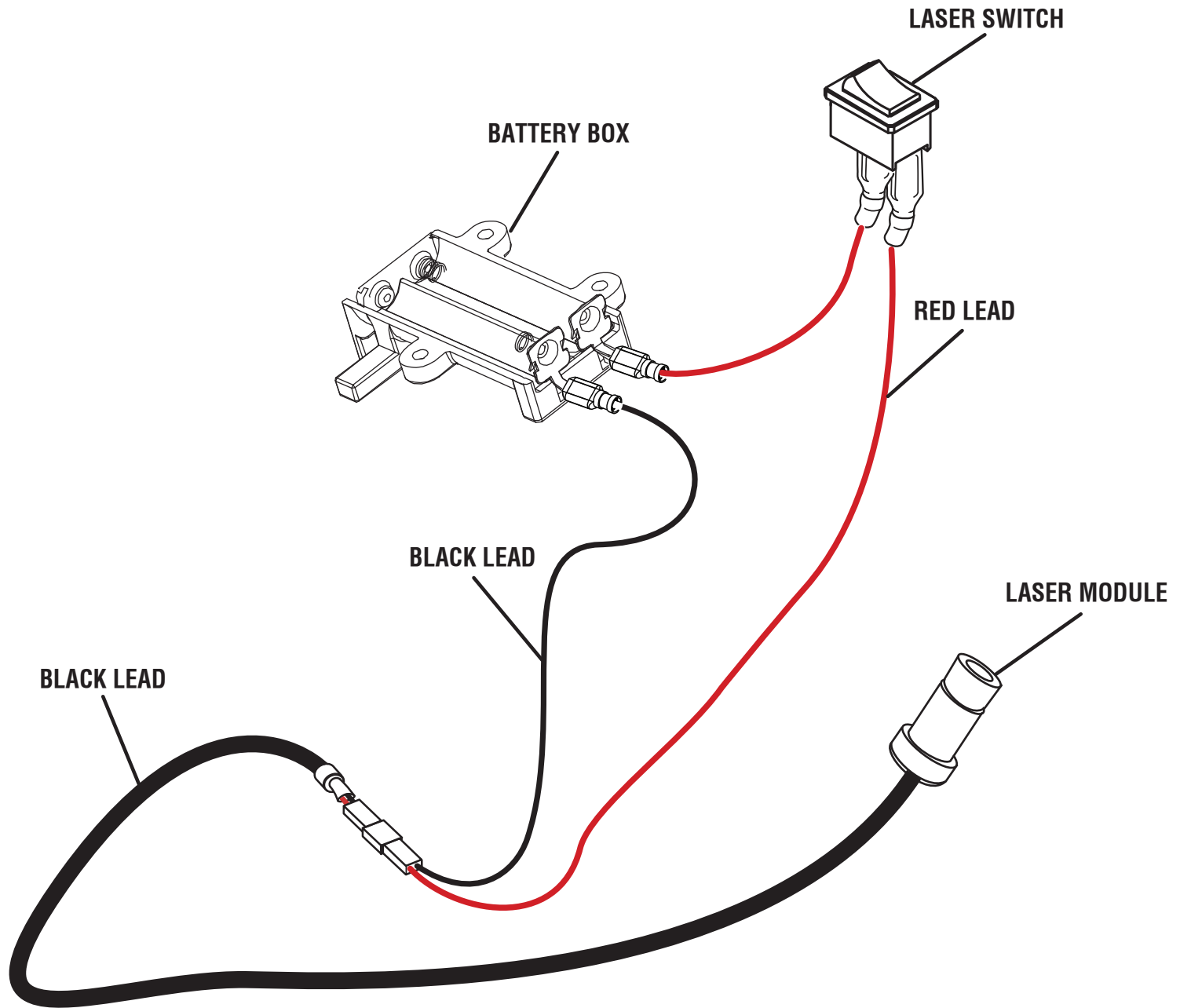
FIGURE B





WIRING DIAGRAM

RYOBI 7-1/4 in. COMPOUND MITER SAW – MODEL NUMBER P552



WIRING DIAGRAM