

**RYOBI
18 VOLT SHEARS
MODEL NUMBER P591
REPAIR SHEET**

Techtronic Industries Power Equipment, Inc.

1428 Pearman Dairy Road, Anderson, SC 29625

Phone 1-800-860-4050

www.ryobitools.com

RYOBI SHEARS – MODEL NUMBER P591

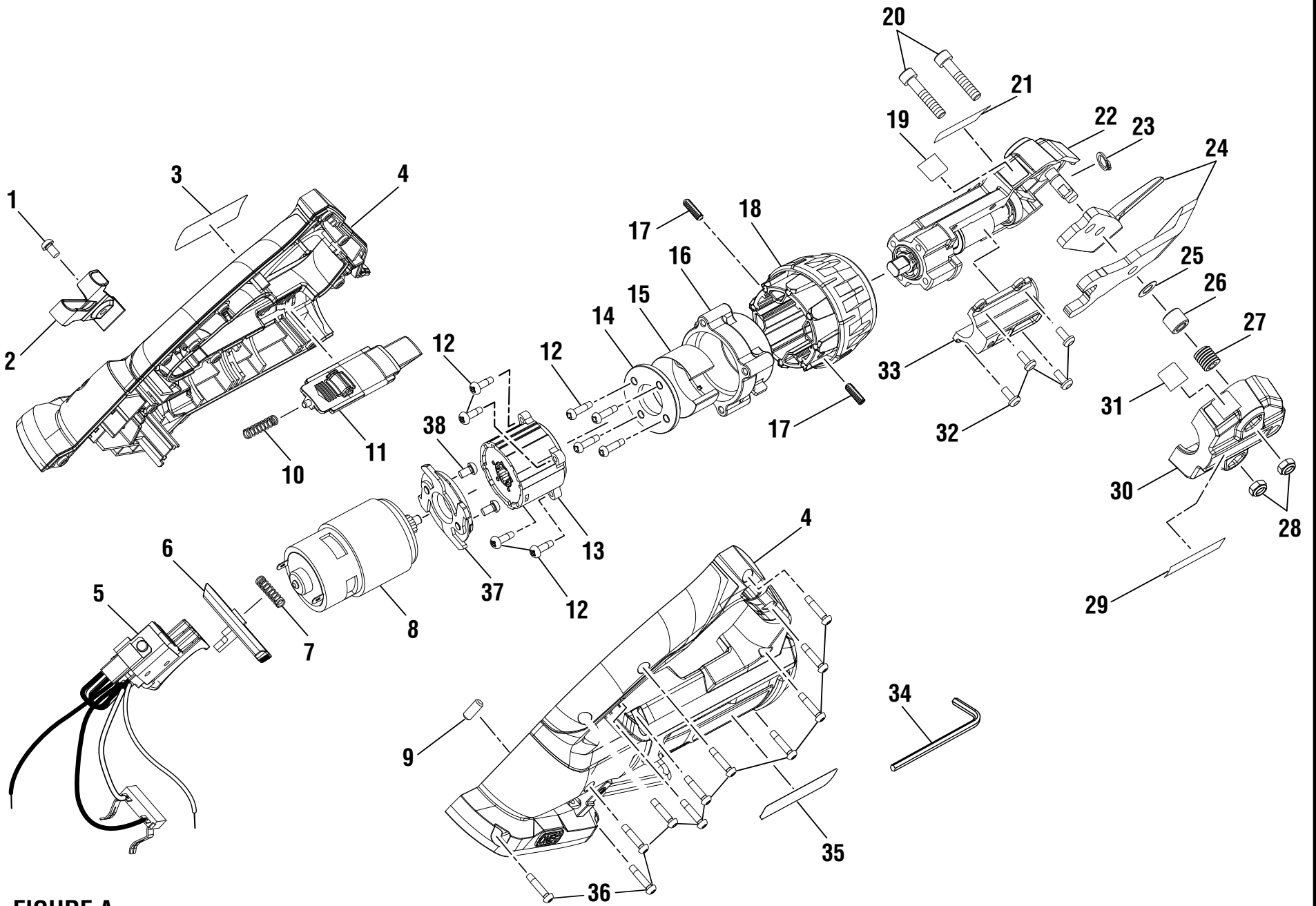


FIGURE A

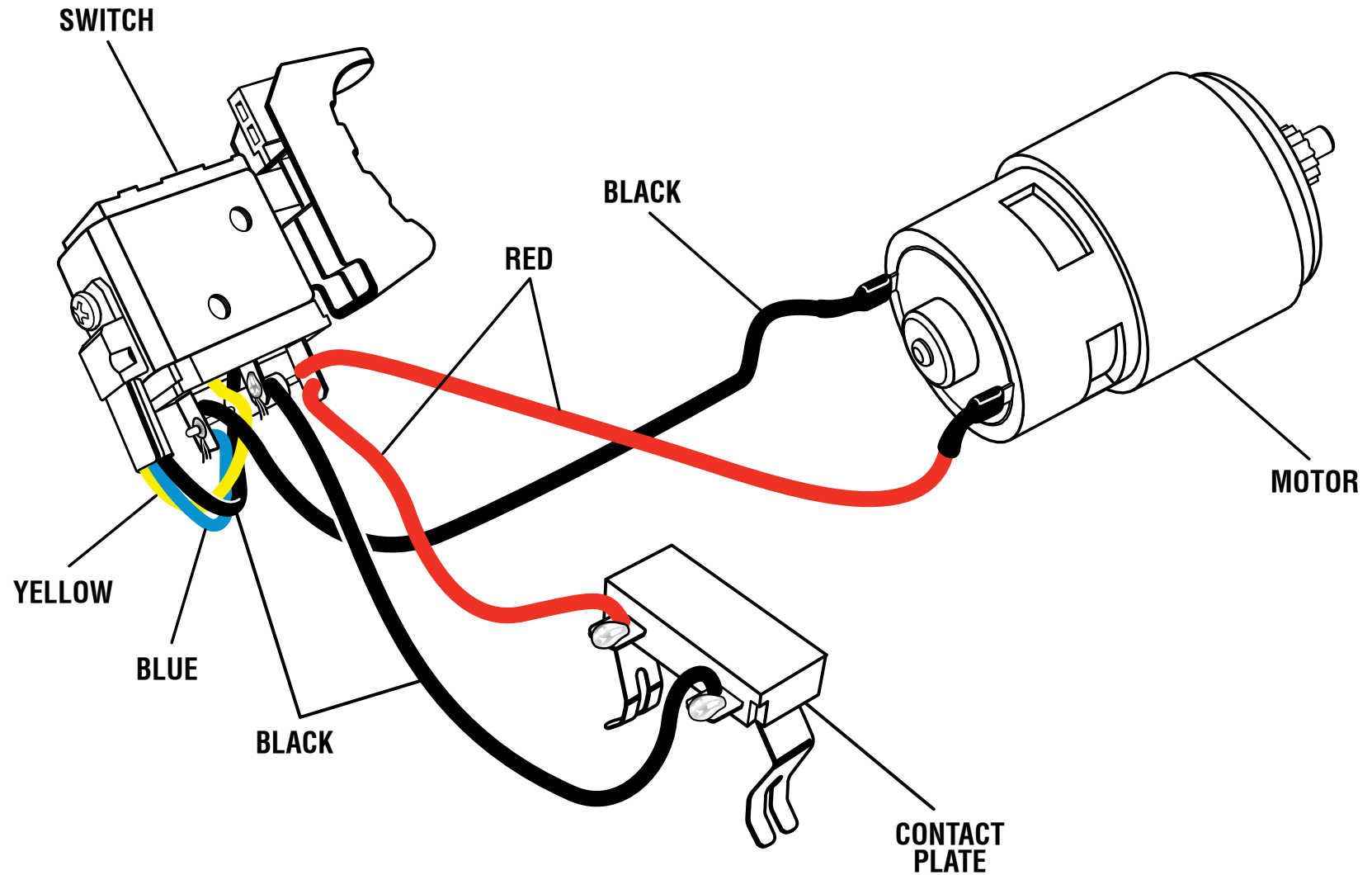
RYOBI SHEARS – MODEL NUMBER P591

The model number will be found on a label attached to the motor housing. Always mention the model number in all correspondence regarding your **SHEARS** or when ordering repair parts.

PARTS LIST – FIGURE A

KEY NO.	PART NUMBER	DESCRIPTION	QTY	KEY NO.	PART NUMBER	DESCRIPTION	QTY
1	660212057	Screw (M4 x 7 mm, Pan Hd.)	1	22	204757001	Blade Support Assembly (Inc. Key Nos. 19 and 21)	1
2	636181001	Belt Hook	1	23	690924001	Retaining Ring	1
3	940114178	Logo Label	1	24	206702001	Blade Assembly	1
4	204755001	Housing Assembly (Inc. Key Nos. 3 and 35)	1	25	639404001	Blade Washer	1
5	204756001	Switch w/Contact Plate Holder Assembly	1	26	696075002	Blade Adjustment Bushing	1
6	360135001	Lock-Off Button	1	27	662688001	Screw (M10 x 10 mm, w/M5 Hex Soc. Hd.)	1
7	672552001	Compression Spring	1	28	670494002	Lock Nut (M6)	2
8	206670001	Motor and Pinion Assembly	1	29	941120314	Blade Tension Label	1
9	564433001	Rubber Bumper	1	30	204758001	Blade Cover Assembly (Inc. Key Nos. 29 and 31)	1
10	694934001	Latch Compression Spring	1	31	941120315	Warning Icon Label	1
11	360140001	Collar Release Button	1	32	661268001	Screw (M3.5 x 8 mm, T15 Torx Pan Hd.)	4
12	660250002	Screw (M3.5 x 14 mm, Pan Hd.)	8	33	643067001	Middle Cover	1
13	206671001	Gear Box Assembly (Inc. Key No. 37)	1	34	6800201	Hex Key Wrench (M5, 28 mm x 80 mm)	1
14	639045001	Mounting Plate	1	35	941121837	Data Label	1
15	639727001	Bushing	1	36	660031017	Screw (M3.5 x 16 mm, T10 Torx Pan Hd.)	11
16	643068001	Bushing Holder	1	37	513611001	Motor Mounting Plate	1
17	660169044	Screw (M4 x 10 mm, Hex Soc. Hd.)	2	38	T662103001	Screw w/Washer (M4 x 6 mm, Pan Hd.)	2
18	360141001	Collar	1	Not Shown			
19	941120316	Hot Surface Warning Label	1	995000241 Operator's Manual (961152709)			
20	662627001	Screw (M6 x 35 mm, Hex Soc. Hd.)	2	11-16-17			
21	941007075	Blade Tension Label	1	(Rev:01)			

RYOBI SHEARS – MODEL NUMBER P591



WIRING DIAGRAM