

RYOBI
18 Volt Pex Pinch Clamp
Model No. P660
Repair Sheet

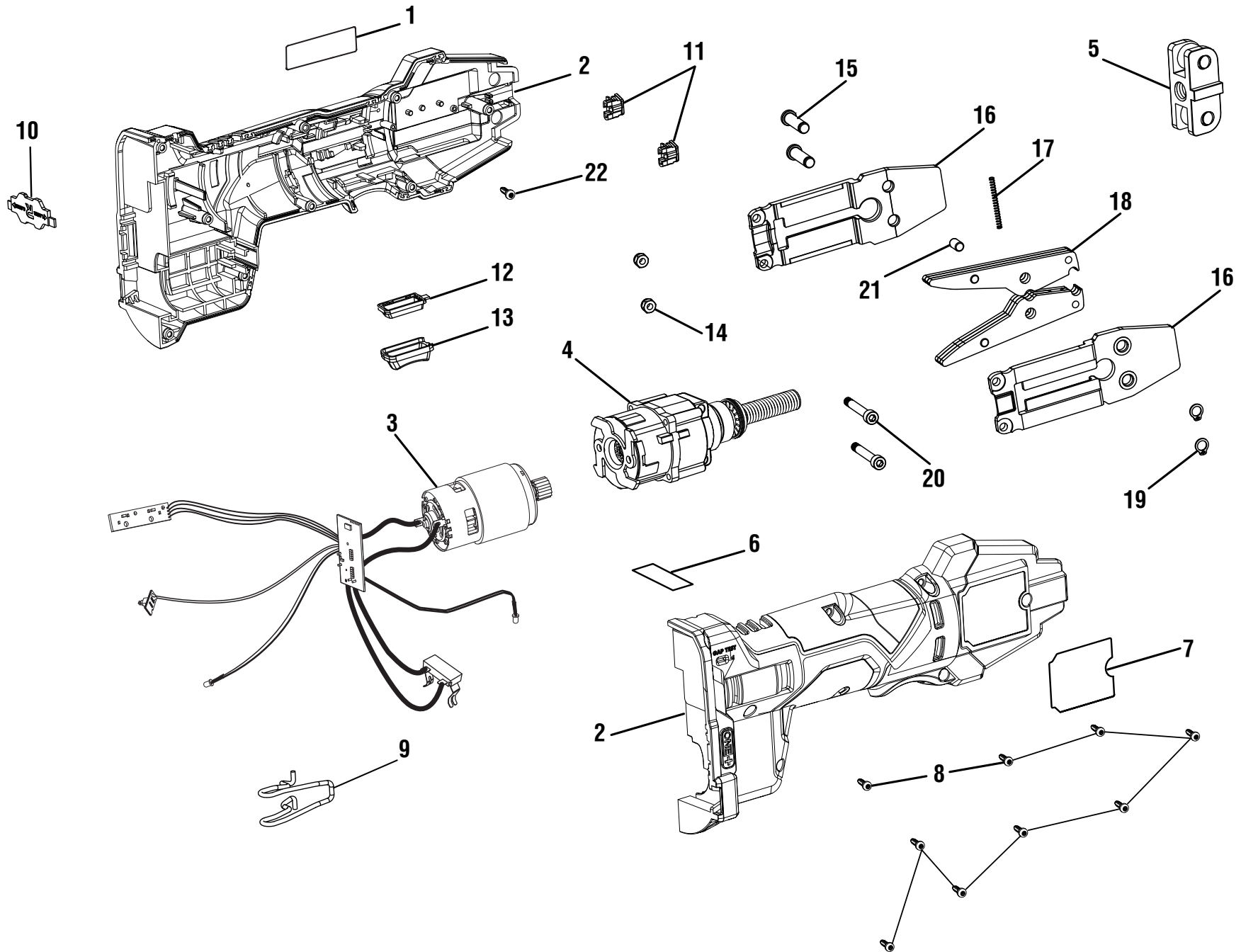
One World Technologies, Inc.

P.O. Box 1288, Anderson, SC 29622

Phone 1-800-525-2579

www.ryobitools.com

RYOBI PEX PINCH CLAMP – MODEL NUMBER P660



RYOBI PEX PINCH CLAMP – MODEL NUMBER P660

The model number will be found on a label attached to the motor housing. Always mention the model number in all correspondence regarding your **PINCH CLAMP** or when ordering repair parts.

PARTS LIST

KEY NO.	PART NUMBER	DESCRIPTION	QTY
1	941655026	Logo Label	1
2	204800002	Housing Assembly (Inc. Key Nos. 1 and 6-7).....	1
3	206802001	Motor, Switch and Circuit Board Assembly	1
4	206801001	Gearbox Assembly	1
5	204803002	Screw Assembly.....	1
6	941001706	Led Indicator Label	1
7	941122050	Data Label	1
8	660031017	Screw (M3.5 x 16 mm, T10 Torx Pan Hd.)	9
9	696626001	Belt Clip.....	1
10	635553001	Gap Check Tool.....	1
11	535202001	LED Lens	2
12	591858001	Switch Actuator.....	1
13	564761001	Switch Cover	1
14	670974003	Lock Nut (M5).....	2
15	673828001	Jaw Pin.....	2
16	643409001	Blade Support	2
17	697055001	Compression Spring	1
18	206804001	Jaw Assembly	1
19	690924001	Retaining Ring	2
20	662755001	Screw (M5 x 34 mm)	2
21	673837001	Hinge Pin.....	1
22	662777001	Screw (M2.3 x 5 mm, T8 Torx Pan Hd.)	1

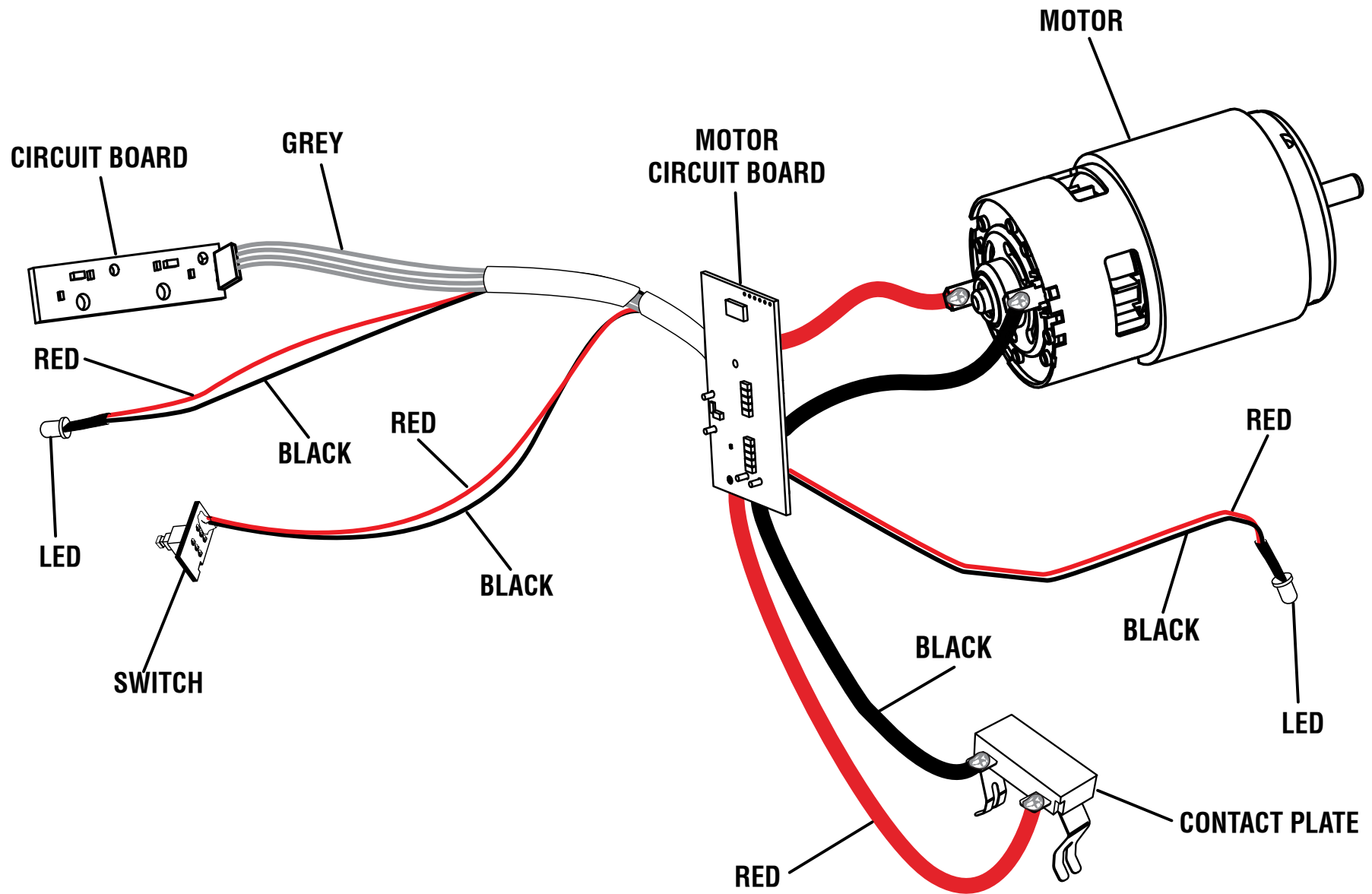
Not Shown

995000438 Operator's Manual (961152943)

10-17-18

(Rev:02)

RYOBI PEX PINCH CLAMP – MODEL NUMBER P660



WIRING DIAGRAM