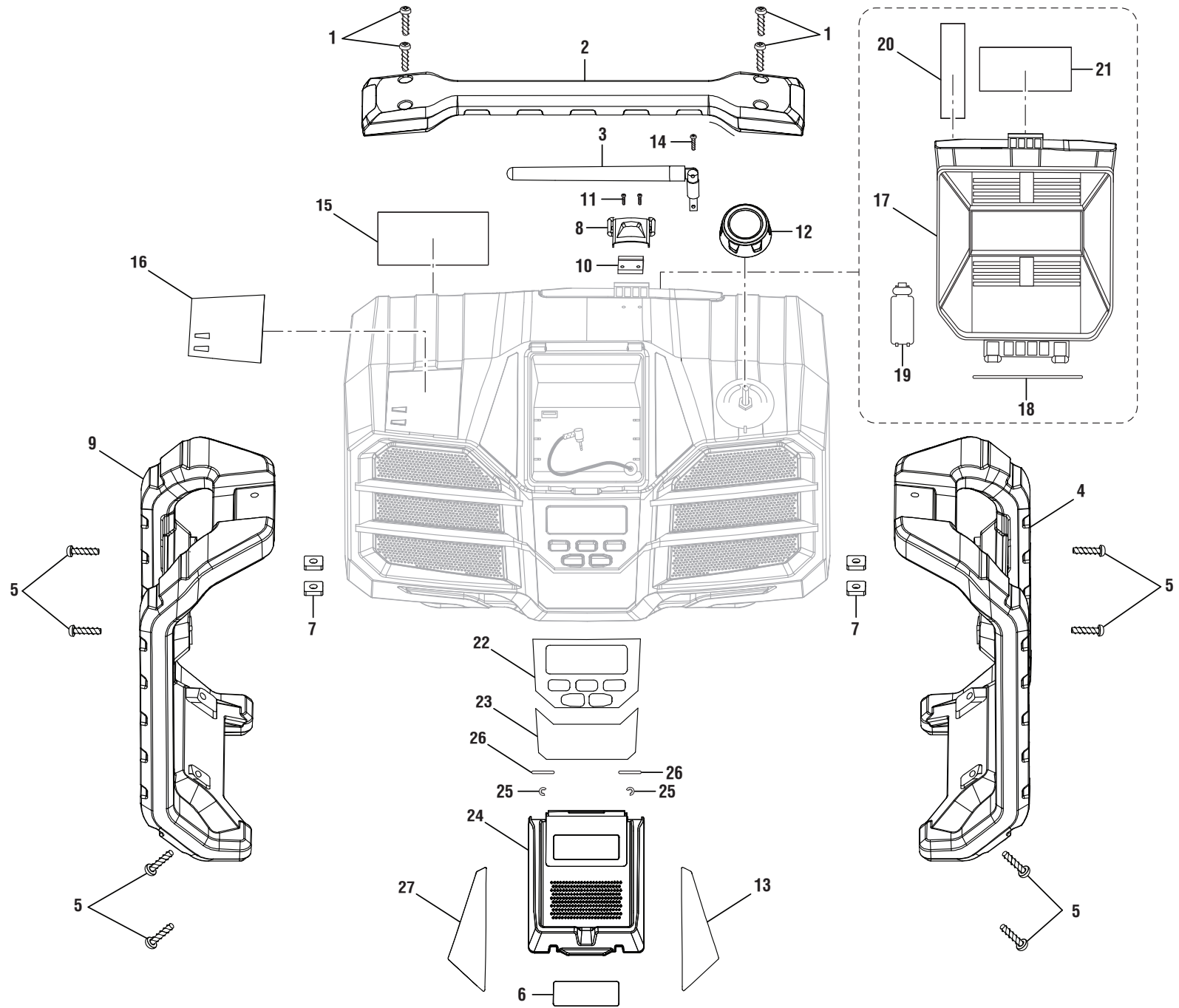


RYOBI JOB-SITE RADIO – MODEL NUMBER P745



RYOBI JOB-SITE RADIO – MODEL NUMBER P745

The model number will be found on a label attached to the motor housing. Always mention the model number in all correspondence regarding your **RADIO** or when ordering repair parts.

PARTS LIST

KEY PART NO. NUMBER	DESCRIPTION	QTY	KEY PART NO. NUMBER	DESCRIPTION	QTY
1 51-120-109R000	Screw (M6 x 20 mm)	4	17 67-745-035H000P	Back Door	1
2 67-745-001H000	Handle	1	18 52-974-508R000	Hinge Pin	1
3 15-745-002R000	Antenna	1	19 67-745-033H000P	AAA Battery Door	1
4 67-745-003H000	Left Frame	1	20 83-745-004R000	Charger Label	1
5 51-120-108R000	Screw (M6 x 30 mm)	8	21 83-745-002R000-WDP	Warning Label	1
6 83-745-005R000	Logo Label.....	1	22 83-745-006R000	Display Label.....	1
7 51-210-205R000	Square Nut (M6)	4	23 83-745-007R000	Logo Label.....	1
8 52-974-509R000	Door Latch.....	1	24 67-745-034H000P	Compartment Door	1
9 67-745-002H000	Right Frame.....	1	25 52-915-608RA00	E-Ring.....	2
10 67-745-027H000P	Door Latch Bracket	1	26 52-974-506R000	Door Pin.....	2
11 51-110-135R000	Screw (M3 x 18 mm)	2	27 83-745-000R000	USB Label	1
12 67-745-023H000P	Volume Knob	1			
13 83-745-001R000	AUX Label.....	1	Not Shown:		
14 51-120-107R000	Screw (M3 x 15 mm)	1	24-000-002	AAA Batteries	2
15 83-745-009R000	Data Label	1	987000675	Operator's Manual.....	1
16 83-745-003R000	LED Label	1	8-9-11		
			(Rev:01)		