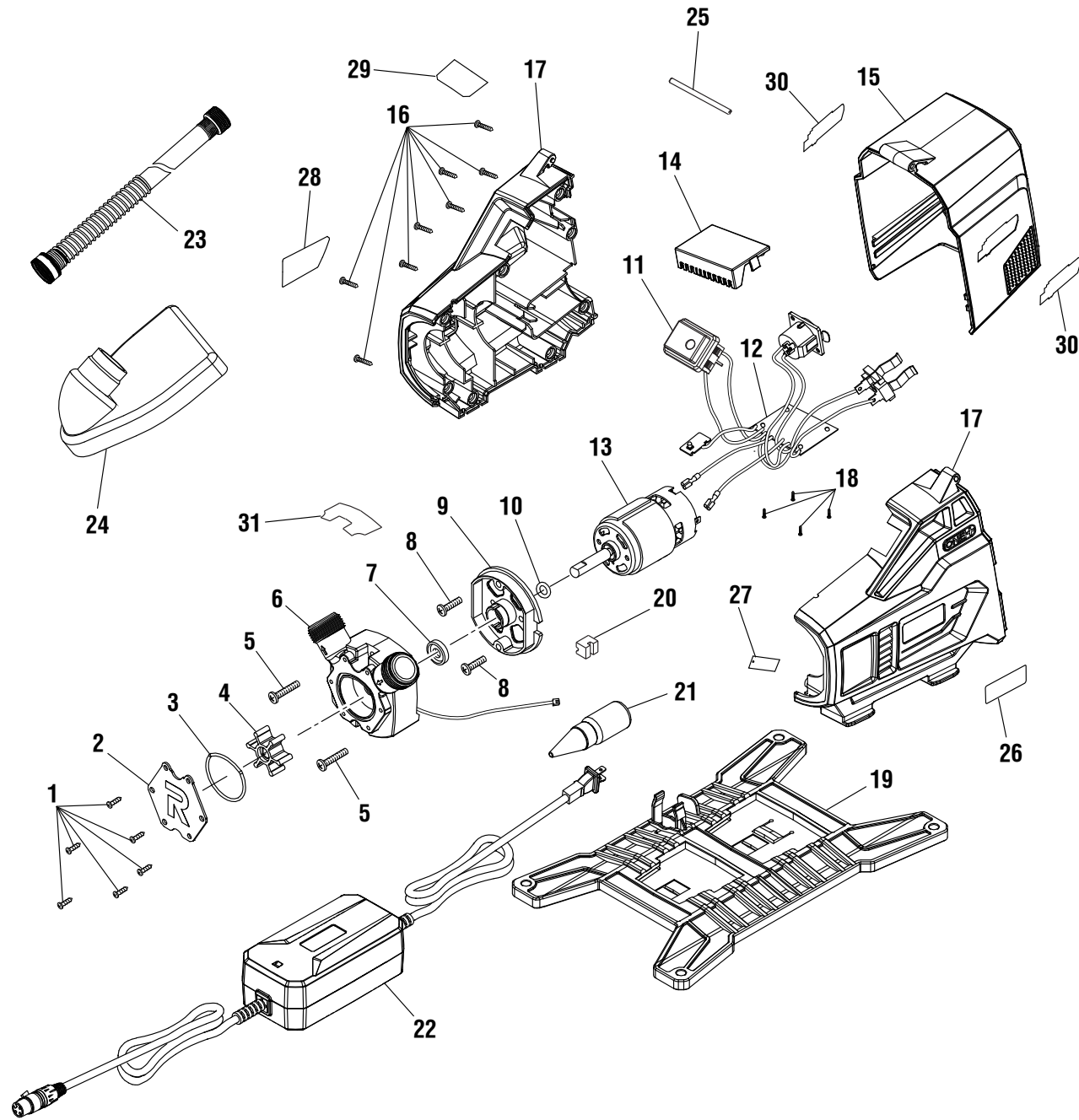


**RYOBI 18 VOLT
HYBRID TRANSFER PUMP
MODEL NO. P750
REPAIR SHEET**

RYOBI 18 VOLT, HYBRID TRANSFER PUMP – MODEL NUMBER P750



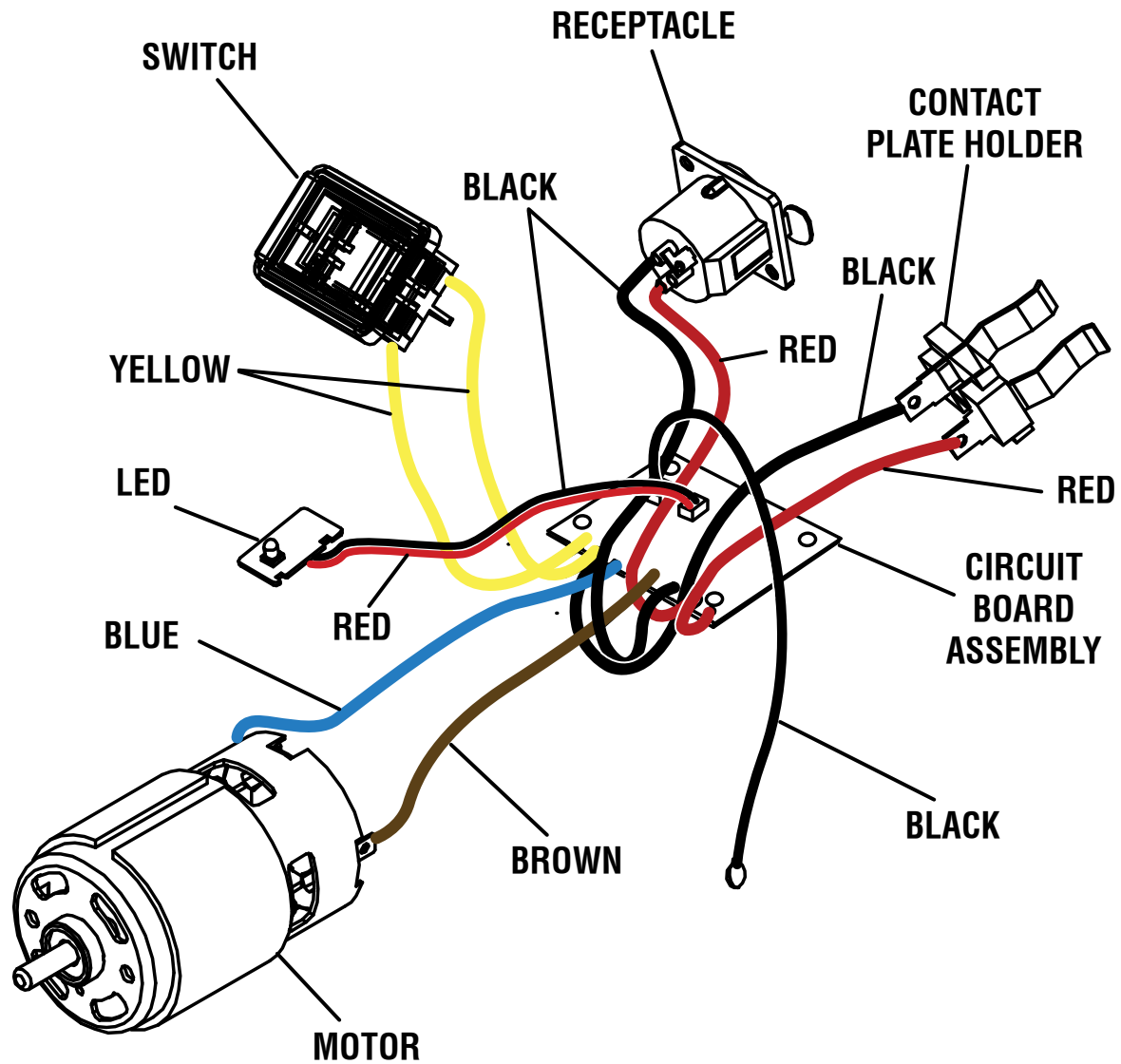
RYOBI 18 VOLT, HYBRID TRANSFER PUMP – MODEL NUMBER P750

The model number will be found on a label attached to the motor housing. Always mention the model number in all correspondence regarding your **18 VOLT, HYBRID TRANSFER PUMP** or when ordering parts.

PARTS LIST

KEY NO.	PART NUMBER	DESCRIPTION	QTY	KEY NO.	PART NUMBER	DESCRIPTION	QTY
1	019711001028	Screw (M3.9 x 9.5 mm, Pan Hd.)	6	18	019711001032	Screw (M3.5 x 6.5 mm, Pan Hd.)	4
2	019711001015	Impeller Cover Plate	1	19	019711001019	Base	1
3	019711001014	Rubber Seal.....	1	20	019711001026	Rubber Pad	1
4	019711001012	Impeller.....	1	21	019711001046	Oil Bottle w/Label and Oil.....	1
5	019711001029	Screw (M5 x 20 mm, Pan Hd.)	2	22	140357001	Power Supply (Adapter)	1
6	019711001045	Pump Head w/NTC Assembly (Inc. Key Nos. 7 and 31)	1	23	019711001025	Intake Hose Assembly.....	1
7	019711001013	Rubber Bushing	1	24	019711001039	Intake Filter Assembly	1
8	019711001030	Screw (M4 x 12 mm, Pan Hd.)	2	25	019711001043	Hinge Pin.....	1
9	019711001009	Motor Mount	1	26	940114518	Logo Label	1
10	019711001031	O-Ring (ø7 x 2.5 mm)	1	27	941120214	Warning Hang Tag.....	1
11	019711001004	Switch	1	28	941488198	Data Label	1
12	019711001007	Circuit Board Assembly (Inc. Key No. 11)	1	29	941001384	Pump LED Label	1
13	019711001047	Motor Assembly	1	30	941001426	Pump Hybrid Label	2
14	019711001008	Circuit Board Cover.....	1	31	941001385	Pump Oil Label.....	1
15	019711001048	Battery Cover (Inc. Key No. 30).....	1	Not Shown:			
16	019711001027	Screw (M3.9 x 16 mm, T10 Torx Pan Hd.)	8	995000010	Operator's Manual (961152647)		
17	019711001044	Housing Assembly (Inc. Key Nos. 26 and 28-29).....	1	995000059	Operator's Manual (P750PS)		
				4-24-17			
				(Rev:03)			

RYOBI 18 VOLT, HYBRID TRANSFER PUMP – MODEL NUMBER P750



WIRING DIAGRAM