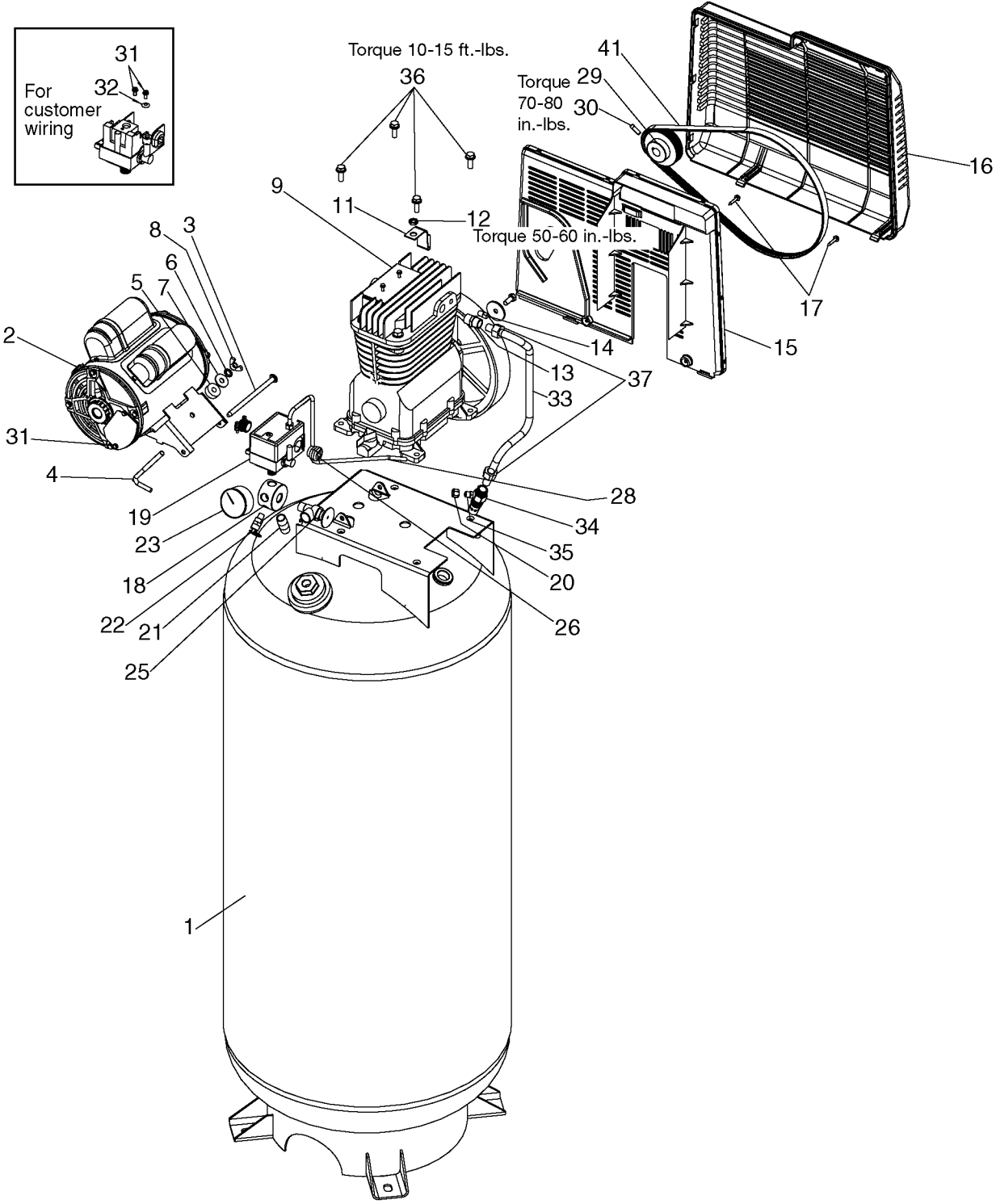
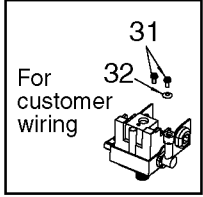


Key No.	Torque
55	25 to 30 Ft. Lbs.
57	25 to 30 Ft. Lbs.
63	13 to 17 In. Lbs.
75	7 to 10 Ft. Lbs.
79	9 to 12 Ft. Lbs.
88	15 to 20 Ft. Lbs.

Recommended Oils - One Stage Compressor Units
 Use a compressor oil such as SAE 20-20W SF motor oil. (Crankcase oil capacity is 16 fluid ounces.)
 Under extreme winter conditions use 10 weight oil. Multiviscosity oil, 10W30, will leave carbon deposits
 on critical components, reducing performance and compressor life.



Parts List for PALC7060V Type 0

Item Number	Part Number	Description	Qty Required
1	000000-00	No Longer Available	1
2	D20659	MOTOR O/L BALLERINA	1
3	D21594	PIN MOTOR MOUNT OIL	1
4	D23591	SCREW HOLD DOWN	1
5	CAC-1011	SPRING ELASTOMER	1
6	N017772	LOCK WASHER	1
7	SSN-56-ZN	WASHER 1 X 11/32 X 1	1
8	SS-2038-ZN	NUT .313-18 WING	1
9	N076027SV	PUMP ASSEMBLY	1
11	000000-00	No Longer Available	1
12	SSF-8113-ZN	NUT .375-16X.563 HEX	1
13	SSP-9401	CONNECTOR BODY STRAI	1
14	SS-1215	PLUG PIPE GALV 1/8	1
15	CAC-323	BELTGUARD INSIDE	1
16	000000-00	No Longer Available	1
17	D26742	SCREW #10-16 X .500	2
18	AC-0217	MANIFOLD	1
19	AC-0557	COVER PRES SWITCH	1
19	SUDL-9-1	SCREW #8-32X.375/.34	2
19	Z-D22260	SWITCH PRES 1PORT 11	1
20	SSP-7811	ASSY NUT SLEEVE 1/4	1
21	SS-2072-1	NIPPLE .375 NPT X 1.	1
22	97503734	VALVE SAFETY 150 .12	1
23	Z-GA-360	GAUGE 300 PSI BACK M	1
25	SSV-812	VALVE GLOBE 200 PSI	1
26	33821-00	BUSHING	1
26	438010040063	HEYCO BUSHINGS	1

Parts List for PALC7060V Type 0

Item Number	Part Number	Description	Qty Required
27	SUDL-402-2	ASSY CORD MOTOR SJT	1
28	D21583	TUBE PRESSURE RELEAS	1
29	C-PU-2861	PULLEY 6J-SEC 2.80 O	1
30	SS-391	SCREW .250-20 .625 S	1
31	SUDL-9-1	SCREW #8-32X.375/.34	3
32	5140122-73	SPRING WASHER	1
33	D21581	TUBE OUTLET ALUMINUM	1
34	A19715	VALVE CHECK 1/2NPT X	1
35	SS-8553	CONNECTOR BODY	1
36	SSF-928	SCREW .313-18X.875 H	4
37	SSP-7812	ASSY NUT SLEEVE 1/2	1
41	C-BT-223	BELT 6J 39.0 EFF	1
42	N286039	DRAIN VALVE	1
55	SSF-6627	STUD SHOULDER 3/8-16	1
56	Z-CAC-4213	ASSY HEAD	1
57	SSF-955	SCREW .375-16X1.50 H	5
60	SSP-9401	CONNECTOR BODY STRAI	1
61	5140118-80	GASKET	1
62	KK-4275	KIT VALVE	1
63	KK-4275	KIT VALVE	1
64	CAC-294	PLATE RESTRICTOR	2
65	KK-4275	KIT VALVE	1
66	Z-CAC-4212-1	ASSY VALVE PLATE	1
67	5140118-79	GASKET	1
68	000000-00	No Longer Available	1
69	000000-00	No Longer Available	1
70	000000-00	No Longer Available	1

Parts List for PALC7060V Type 0

Item Number	Part Number	Description	Qty Required
71	CAC-55-1	PISTON MACHINE DWG 2	2
72	265-19	PIN PISTON	2
73	CAC-207	PLUG PISTON PIN	4
74	265-410	ASSY CONNECTING ROD	2
75	SSF-927	SCREW .250-20X1.125	4
76	Z-AC-0205	CRANKCASE & CYLINDER	1
77	SSN-1018	WASHER WAVY SPRING 2	1
78	AC-0169	SEAL OIL	1
79	SSF-925	SCREW .250-20X.875 H	8
80	000000-00	No Longer Available	1
81	265-16-1	GASKET BASE	1
82	Z-D22270	CRANKSHAFT MACH BALL	1
83	SST-104	BEARING 6205C3	2
84	SSP-486	PLUG PIPE 3/8 - 18 N	2
85	SSP-505	PLUG 52MM OIL	1
86	265-2	FLYWHEEL 10 OD CI PO	1
87	SSN-1014-ZN	WASHER .339/.344 ID	1
88	SSF-3039-ZN	SCREW .313-18X.750 H	1
90	265-6	VENT FILTER	2
856	000000-00	No Longer Available	1
856	5140118-37	GASKET KIT	1
856	265-17	FILTER FELT	1
856	KK-4275	KIT VALVE	1