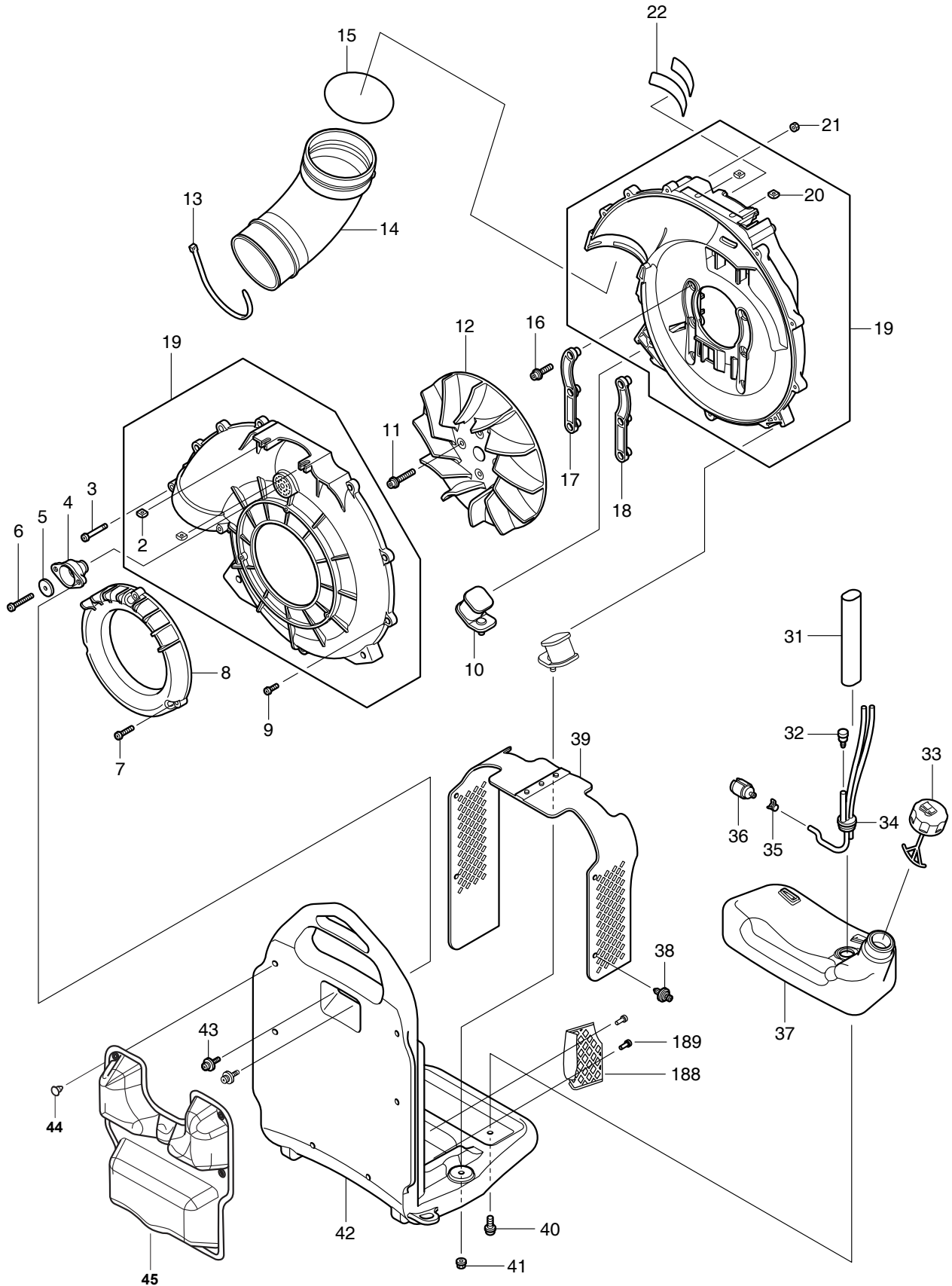


DOLMAR

PARTS BREAKDOWN

PB-7602.4



Products with multiple versions are listed in subsiding order with the newest version on top not indented.

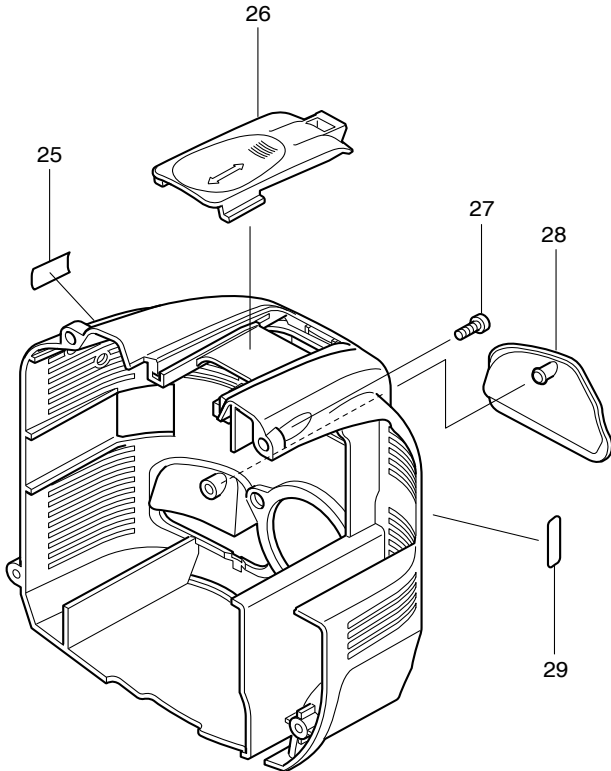
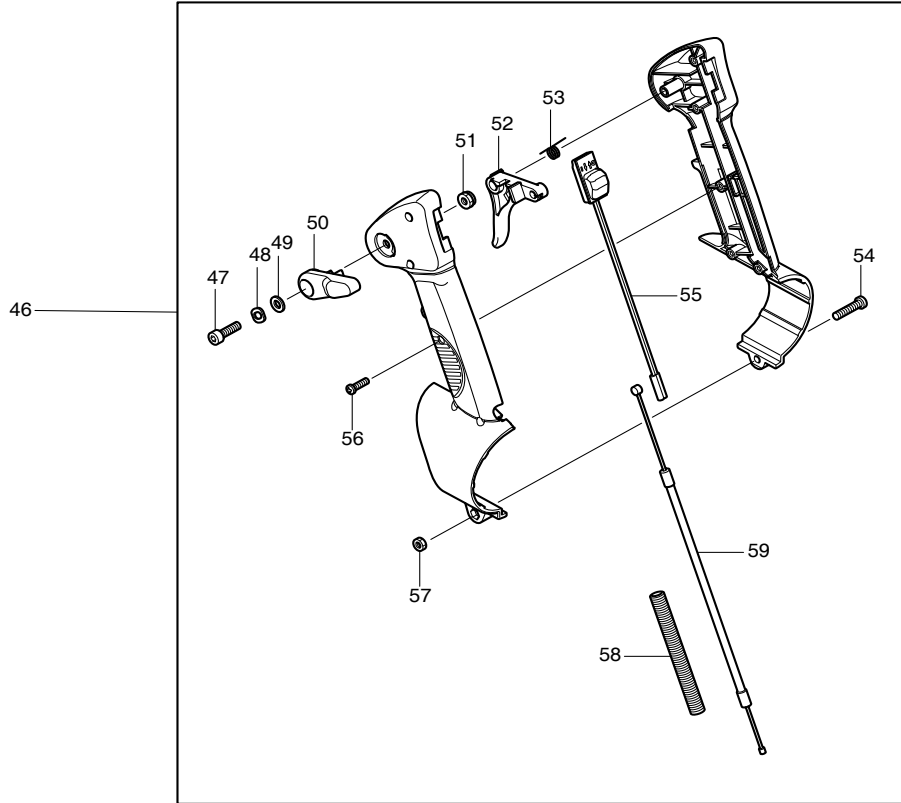
Corresponding bulletins are attached. Select bulletin name or attachment to view.

Section	Fig. No.	Part No.	Description	PB7602.4	Tech Bulletin	Notes
1	2	377100501	SQUARE NUT	2		
1	3	377005922	SCREW ASSY M5X65 (W.SW)	2		
1	4	377100200	DAMPER 1 COMPL	1		
1	5	388005991	WASHER M5	1		
1	6	377310540	PAN HEAD SCREW M5X40	1		
1	7	377005973	TAPPING SCREW 5X25	3		
1	8	377100100	INLET COVER COMPL	1		
1	9	381005980	TAPPING SCREW M5X18	9		
1	10	368100300	DAMPER 2 COMPL	2		
1	11	377906969	SOCKET HEAD BOLT M6X40 (W.SW)	4		
1	12	377100401	IMPELLER	1		
1	13	377337999	WIRE BAND	1		
1	14	368150040	ELBOW	1		
1	15	213645-7	O RING 93	1		
1	16	377906968	SOCKET HEAD BOLT M6X30	6		
1	17	382150020	BASE L	1		
1	18	381150030	BASE R	1		
1	19	377100800	CASE 2 VOLUTE ASSY	1		INC.20
1	20	377100501	SQUARE NUT	2		
1	21	377005995	HEX. NUT M5	2		
1	31	377115986	TUBE GUARD 20-160	1		
1	32	168396-6	BREATHER	1		
1	33	367125472	FUEL TANK CAP ASSEMBLY	1		
1	34	168787-1	TUBE COMPLETE	1		
1	35	367345920	HOSE CLAMP	1		
1	36	377650290	FILTER	1		
1	37	382454007	FUEL TANK	1		
1	38	377250030	ROCK RIVET	4		
1	39	388200200	GUARD COMPL	1		
1	40	377370612	SCREW ASSY M6X12 (W.SW)	2		
1	41	388370600	FLANGE NUT M6	2		
1	42	377200100	FRAME COMPL	1		
1	43	377005921	SCREW ASSY M5X16 (W.SW)	2		
1	44	388250020	ROCK RIVET	6		
1	45	377720030	CUSHION COMPLETE	1		

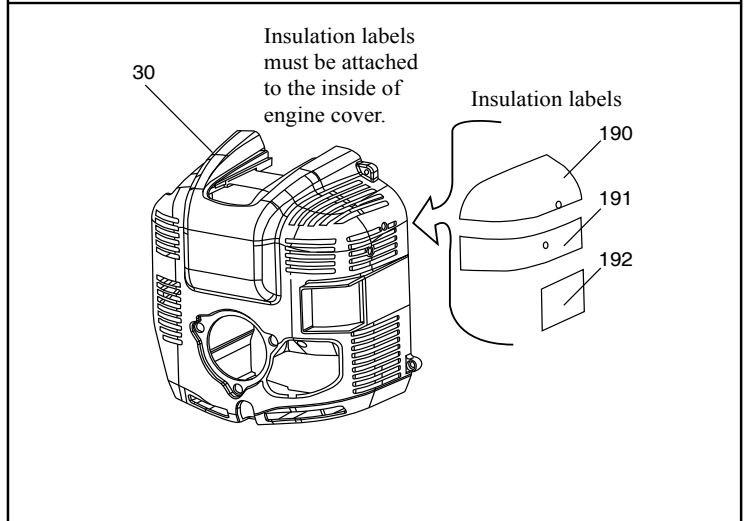
Products with multiple versions are listed in subsiding order with the newest version on top not indented.

[Corresponding bulletins are attached. Select bulletin name or attachment to view.](#)

Section	Fig. No.	Part No.	Description	PB7602.4	Tech Bulletin	Notes
1	188	380250040	FAN COVER	1		
1	189	377250030	ROCK RIVET	2		



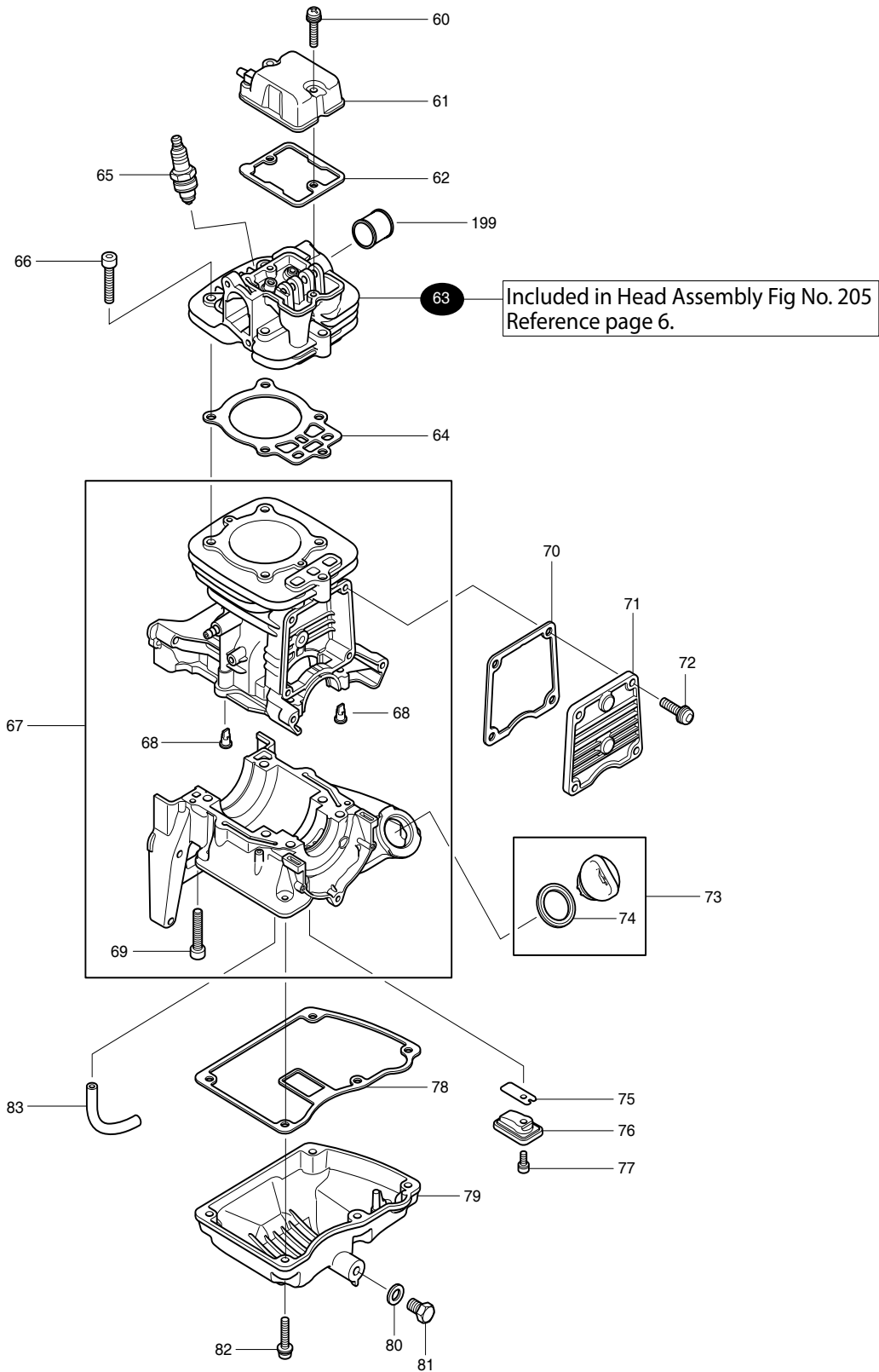
NOTE: Fig No's 190, 191, 192 not included with Fig No. 30.



Products with multiple versions are listed in subsiding order with the newest version on top not indented.

Corresponding bulletins are attached. Select bulletin name or attachment to view.

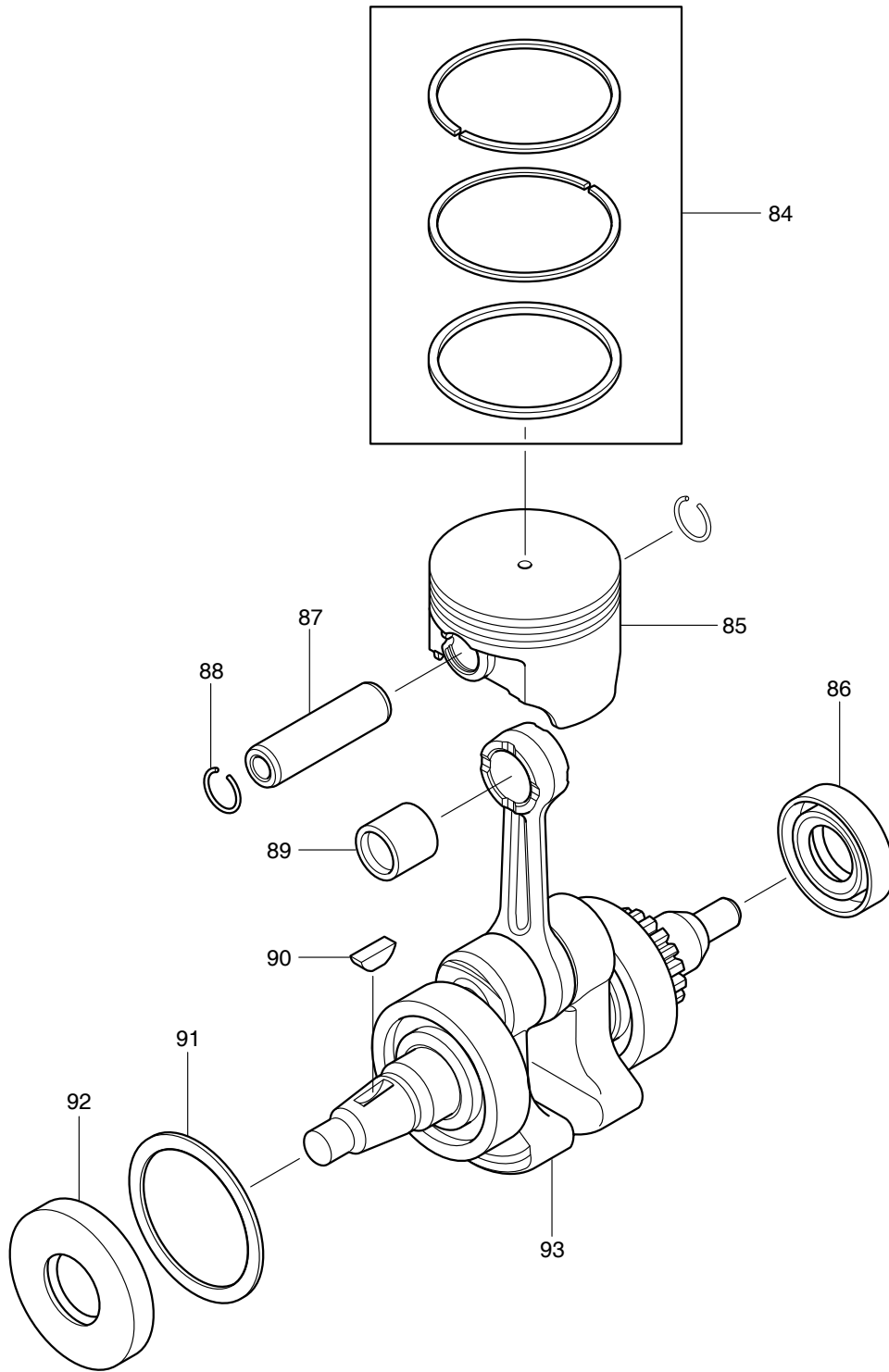
Section	Fig. No.	Part No.	Description	PB7602.4	Tech Bulletin	Notes
2	26	381650010	PLUG COVER	1		
2	27	381005980	TAPPING SCREW M5X18	4		
2	28	382650010	OIL GUARD	1		
2	30	377141984	ENGINE COVER COMPLETE	1		INC.25,190-192
2	46	377126137	CONTROL LEVER ASSEMBLY	1		INC.47-59
2	47	377500101	HEX. SOCKET HEAD BOLT M6X14	1		
2	48	377220600	WAVE WASHER 7	1		
2	49	388110600	FLAT WASHER 7	1		
2	50	377550070	LEVER 2 THROTTLE	1		
2	51	377006996	HEX. NUT M6	1		
2	52	453716-0	LEVER 1 THROTTLE	1		
2	53	233602-9	TORSION SPRING 9	1		
2	54	377500103	PAN HEAD SCREW M5X25	1		
2	55	388500400	SWITCH COMPLETE	1		
2	56	377500102	TAPPING SCREW 4X16	5		
2	57	377005995	HEX. NUT M5	1		
2	58	377550000	TUBE CABLE	1		
2	59	377013982	CONTROL CABLE	1		
2	190	377650150	INSULATION LABEL A	1		
2	191	377650160	INSULATION LABEL B	1		
2	192	377650170	INSULATION LABEL C	1		



Products with multiple versions are listed in subsiding order with the newest version on top not indented.

Corresponding bulletins are attached. Select bulletin name or attachment to view.

Section	Fig. No.	Part No.	Description	PB7602.4	Tech Bulletin	Notes
3	60	660911253	H.S.H.BOLT M5X30 WITH WR	2		
3	61	377150070	ROCKER COVER COMPLETE	1		
3	62	377150090	ROCKER COVER GASKET	1		
3	63	377100302	CYLINDER HEAD COMPLETE	1		INC. 98,99
3	64	320442167	CYLINDER HEAD GASKET	1		
3	65	965603030	SPARK PLUG	1		
3	66	377906967	SOCKET HEAD BOLT M6X35	5		
3	67	382100700	CYLINDER BLOCK SET	1		INC.68, 69
3	68	367424201	CHECK VALVE	2		
3	69	377906993	HEX. SOCKET HEAD BOLT M6X30	6		
3	70	377150080	CAM GEAR GASKET	1		
3	71	377150060	CAM GEAR COVER	1		
3	72	266813-1	H.S.H.BOLT M5X16 WITH WR	4		
3	73	377600500	OIL CAP ASSY	1		INC.74
3	74	377322998	GASKET	1		
3	75	367346083	LEAD VALVE	1		
3	76	368150130	RETAINER PLATE	1		
3	77	367904998	SOCKET HEAD BOLT M4X10	1		
3	78	368650010	OIL CASE GASKET	1		
3	79	377650000	OIL CASE	1		
3	80	377700800	GASKET	1		
3	81	377660812	BOLT M8X12	1		
3	82	374266749	SOCKET HEAD BOLT M5X25	5		
3	83	377110996	TUBE	1		
3	199	377331937	EXHAUST PORT SPACER	1		

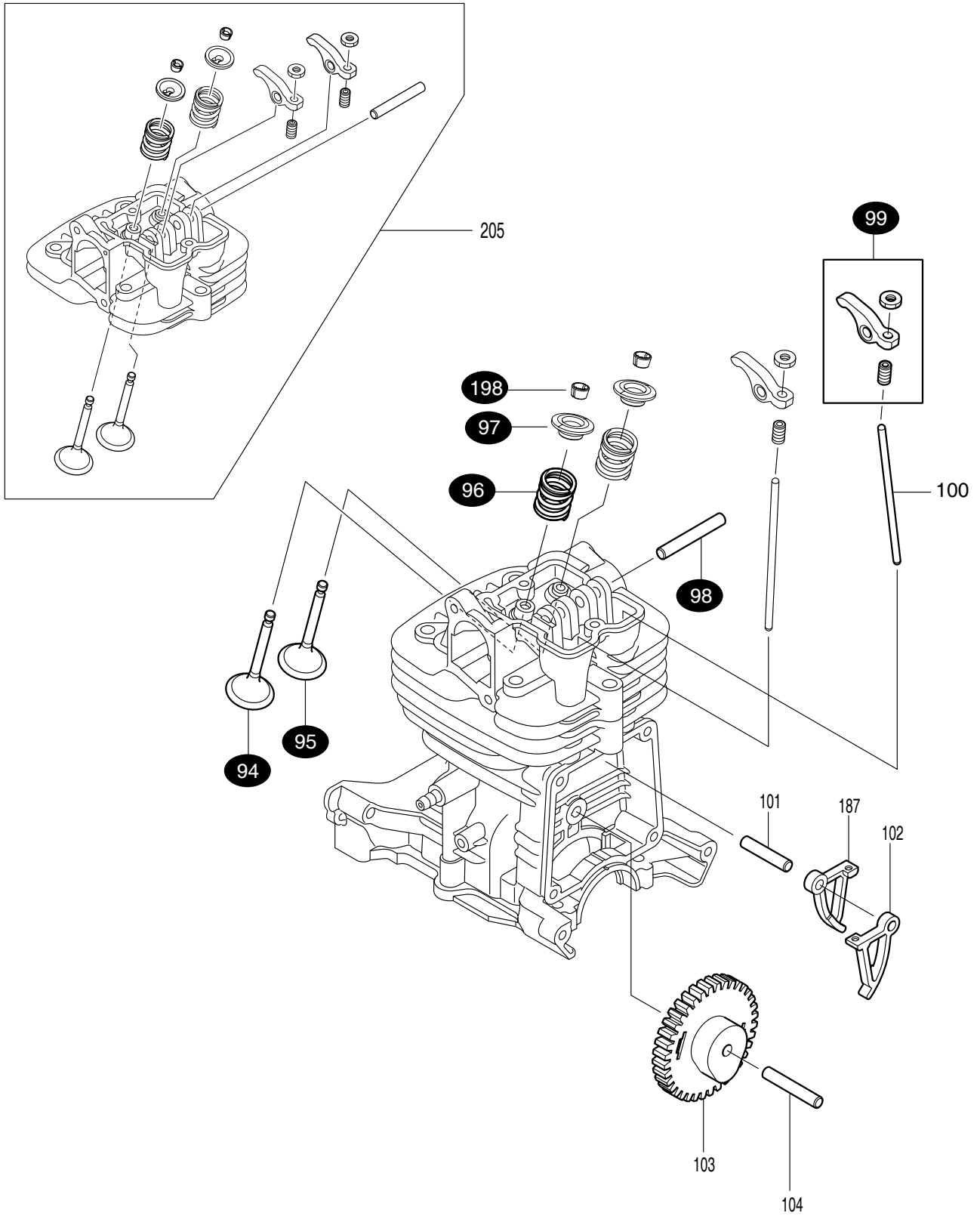


Products with multiple versions are listed in subsiding order with the newest version on top not indented.

Corresponding bulletins are attached. Select bulletin name or attachment to view.

Section	Fig. No.	Part No.	Description	PB7602.4	Tech Bulletin	Notes
4	84	368200300	PISTON RING SET	1		
4	85	388318726	PISTON	1		
4	86	377017991	OIL SEAL 17	1		
4	87	388250070	PISTON PIN	1		
4	88	233995-4	RING SPRING 12	2		
4	89	377012994	NEEDLE ROLLER BEARING	1		
4	90	377304995	WOODRUFF KEY	1		
4	91	377250080	FLAT WASHER 41	1		
4	92	213598-0	OIL SEAL(L)	1		
4	93	126576-0	CRANK SHAFT COMPLETE	1		

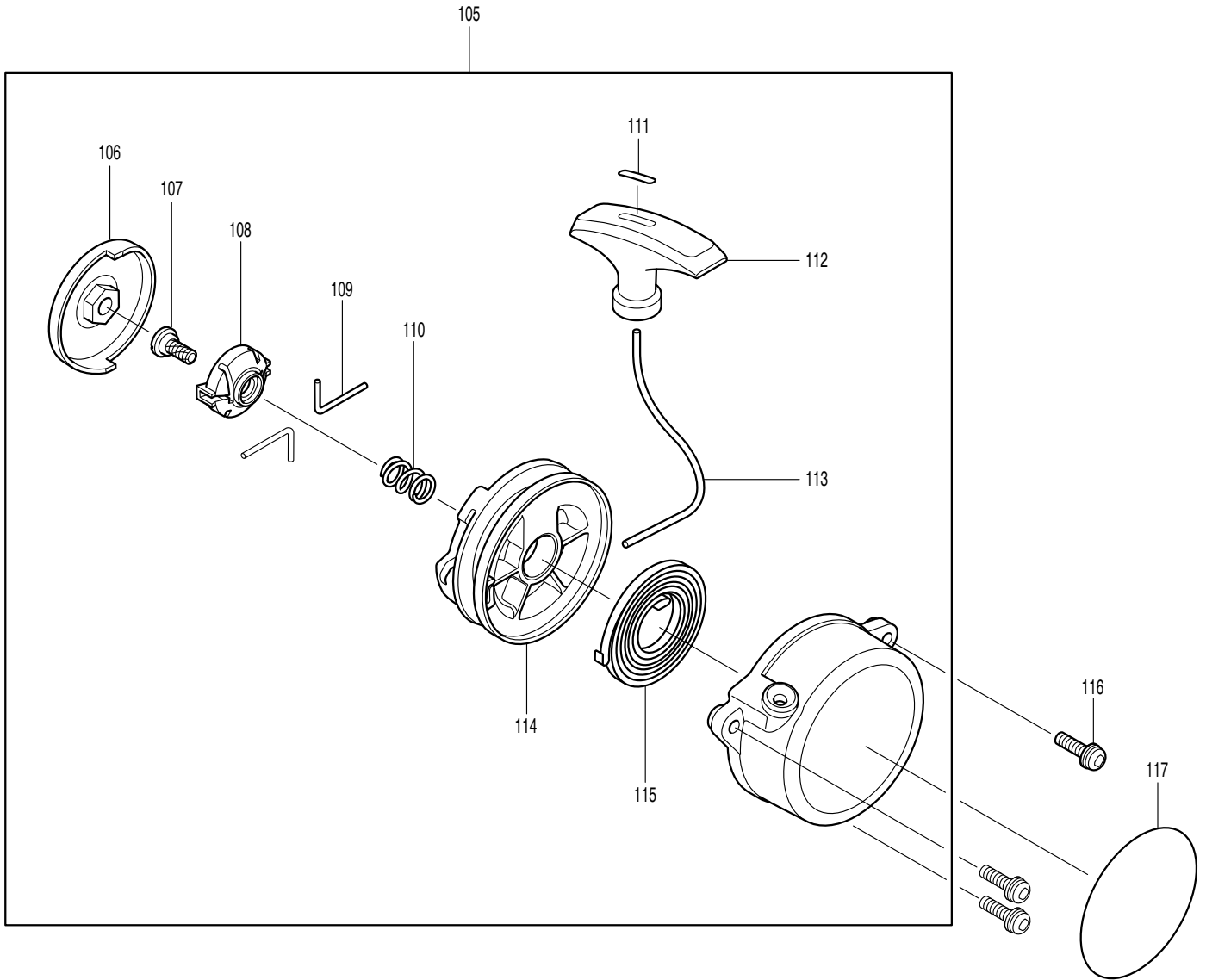
XXX Included in Head Assembly Fig No. 204



Products with multiple versions are listed in subsiding order with the newest version on top not indented.

Corresponding bulletins are attached. Select bulletin name or attachment to view.

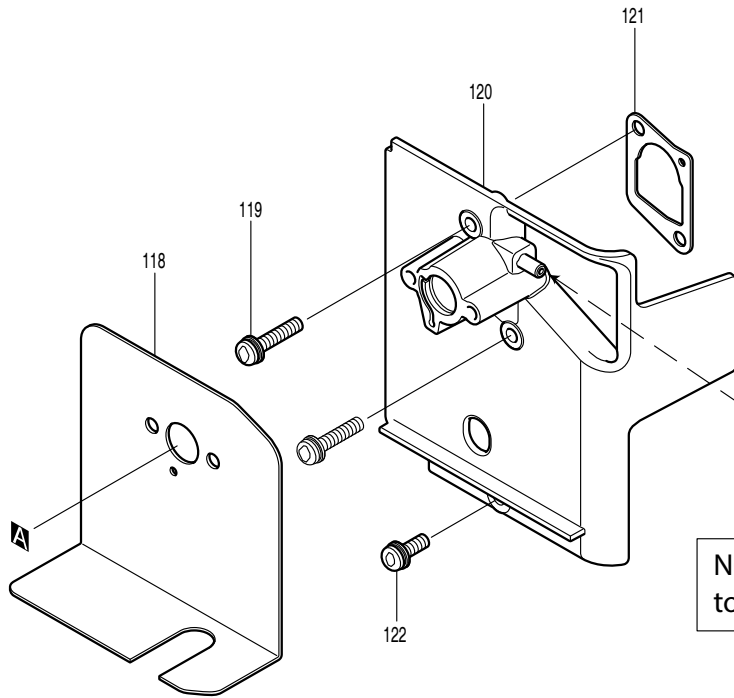
Section	Fig. No.	Part No.	Description	PB7602.4	Tech Bulletin	Notes
5	94	388331964	INTAKE VALVE	1		
5	95	388331965	EXHAUST VALVE	1		
5	96	368234212	COMPRESSION SPRING 11	2		
5	97	388331966	RETAINER	2		
5	98	368350050	PIN 5	1		
5	99	377126005	ROCKER ARM ASSEMBLY	2		
5	100	377256526	PUSH ROD	2		
5	101	377350070	SHAFT CAM LIFTER	1		
5	102	368313266	CAM LIFTER L	1		
5	103	383300200	CAMGEAR ASSY	1		
5	104	367350010	PIN 5	1		
5	187	377313267	CAM LIFTER R	1		
5	198	388331967	COTTER	4		
5	205	135600-8	CYLINDER HEAD ASS'Y 76CC	1		INC. 63,94-97,198



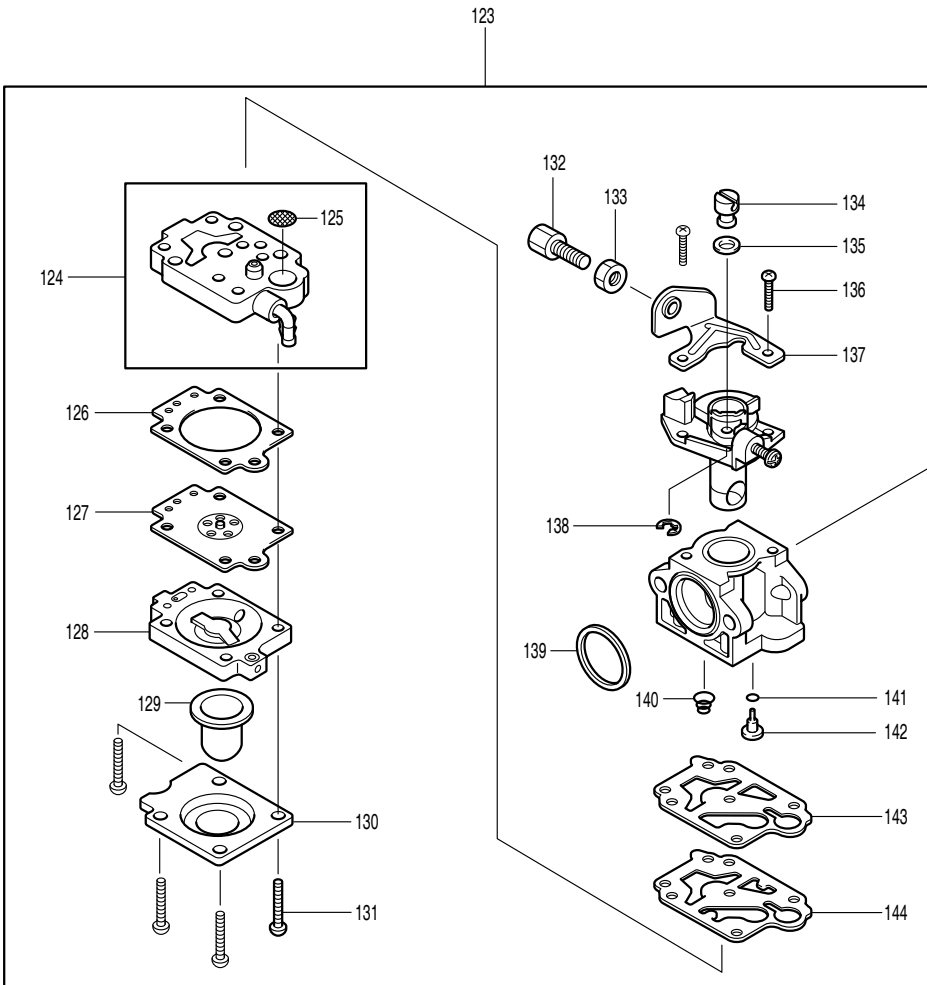
Products with multiple versions are listed in subsiding order with the newest version on top not indented.

Corresponding bulletins are attached. Select bulletin name or attachment to view.

Section	Fig. No.	Part No.	Description	PB7602.4	Tech Bulletin	Notes
6	105	382500101	STARTER REWIND	1		INC.106-115
6	106	382550000	PULLEY	1		
6	107	367266585	TAPPING SCREW 5X12	1		
6	108	377500204	COLLAR	1		
6	109	377500205	SWING ARM	2		
6	110	377500203	FRICTION SPRING	1		
6	111	388500103	ROPE STOPPER	1		
6	112	383500102	STARTER KNOB	1		
6	113	377500211	STARTER ROPE	1		
6	114	377500202	REEL	1		
6	115	377504003	SPIRAL SPRING	1		
6	116	367911233	PAN HEAD SCREW M5X20 WITH WR	3		



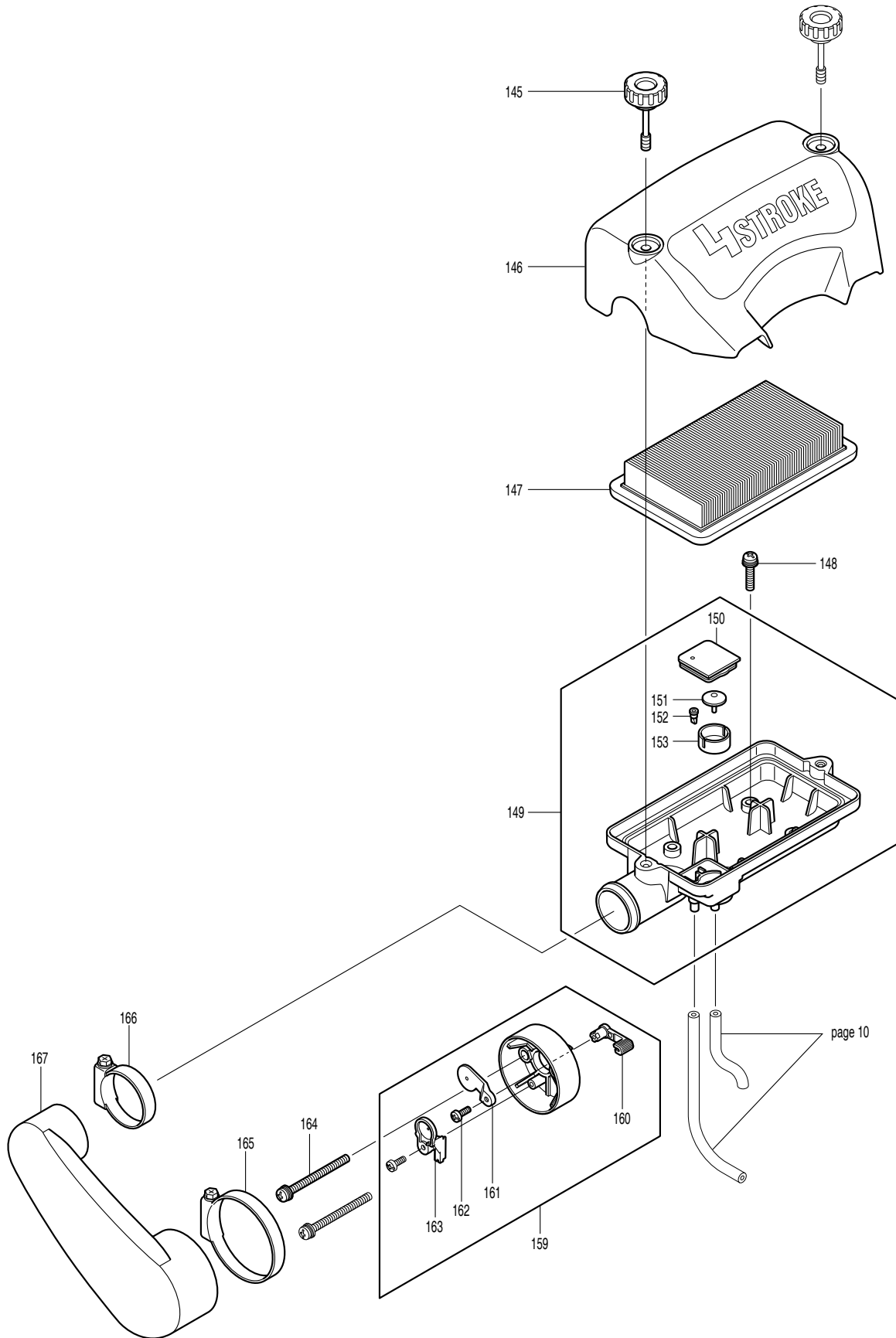
NOTICE: Do not connect tube to port on insulator.



Products with multiple versions are listed in subsiding order with the newest version on top not indented.

Corresponding bulletins are attached. Select bulletin name or attachment to view.

Section	Fig. No.	Part No.	Description	PB7602.4	Tech Bulletin	Notes
7	118	377350120	CARBURETOR GASKET	1		
7	119	374266749	HEX. S.H.B. M5X25 WITH WR	2		
7	120	377300900	INSULATOR	1		
7	121	377162333	INSULATOR GASKET	1		
7	122	367905949	SOCKET HEAD BOLT M5X14 (WSW)	1		
7	123	377600100	CARBURETOR	1		INC.124, 126-144
7	124	377600101	PUMP BODY ASSY	1		INC.125
7	125	367352010	INLET SCREEN	1		
7	126	367442154	METERING DIAPHRAGM GASKET	1		
7	127	367168574	METERING DIAPHRAGM	1		
7	128	367140438	AIR PURGE BODY	1		
7	129	367424314	PRIMER PUMP	1		
7	130	367346270	PRIMER PUMP COVER	1		
7	131	367266582	TAPPING SCREW 3X24	4		
7	132	266795-7	ADJUST SCREW	1		
7	133	264065-8	CABLE ADJUST NUT M6	1		
7	134	367325922	SWIVEL	1		
7	135	367413140	WASHER	1		
7	136	266704-6	PAN HEAD SCREW M3X10	2		
7	137	381605202	BRACKET CABLE	1		
7	138	367257964	STOP RING E-3	1		
7	139	424444-4	PACKING RING	1		
7	140	367234183	CONICAL COMPRESSION SPRING 5-9	1		
7	141	367213538	O RING 2	1		
7	142	377600102	JET #60	1		
7	143	367442155	PUMP GASKET	1		
7	144	367168575	PUMP DIAPHRAGM	1		

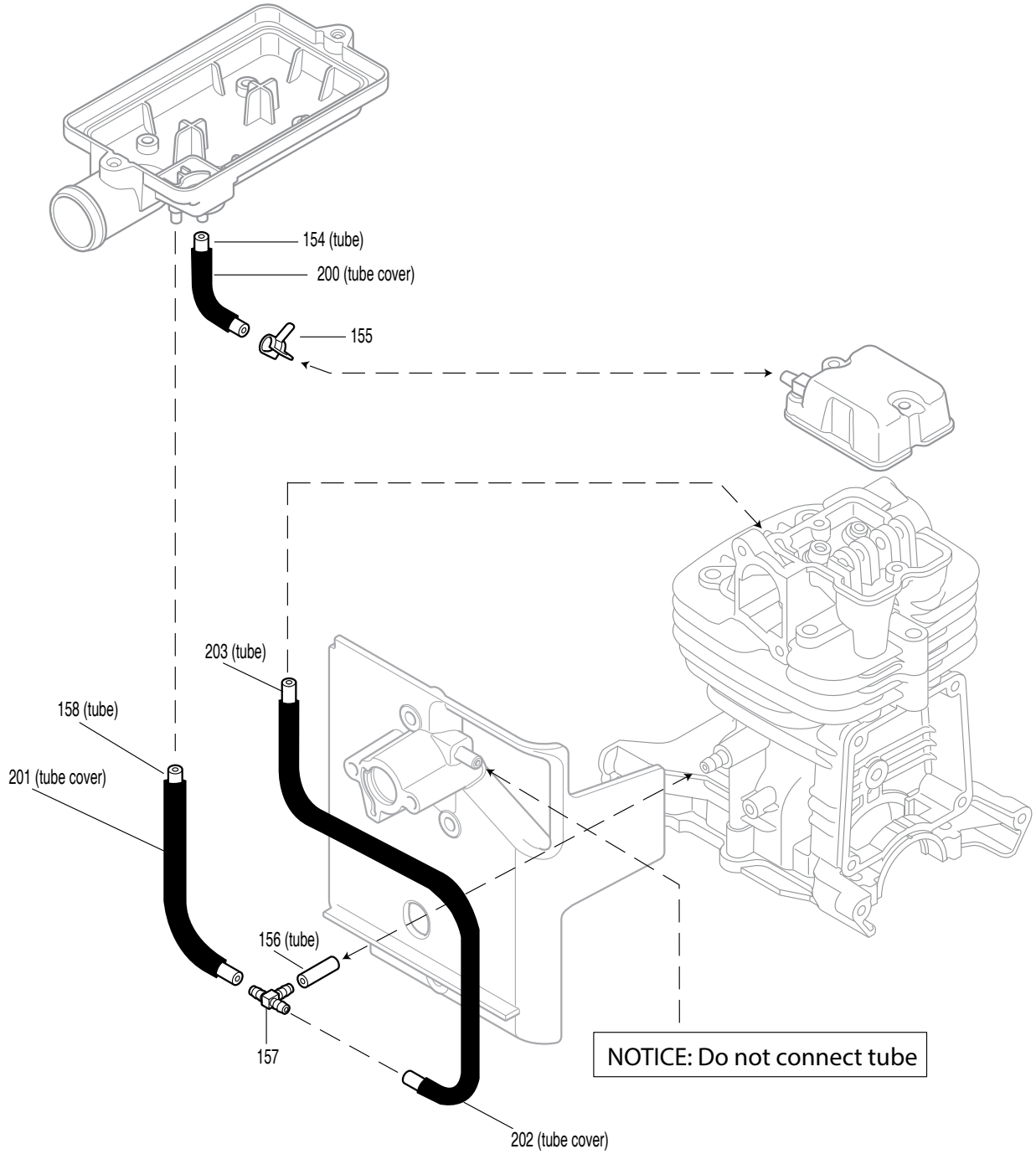


Products with multiple versions are listed in subsiding order with the newest version on top not indented.

Corresponding bulletins are attached. Select bulletin name or attachment to view.

Section	Fig. No.	Part No.	Description	PB7602.4	Tech Bulletin	Notes
8	145	377650120	KNOB BOLT M5X45	2		
8	146	377600200	AIR CLEANER COVER	1		
8	147	377650020	AIR CLEANER ELEMENT	1		
8	148	266494-1	+ PAN HEAD SCREW M5X16	4		
8	149	388600300	AIR CLEANER CASE ASSEMBLY	1		INC.150-153
8	150	377650130	SEPARATOR PLATE	1		
8	151	367424315	CHECK VALVE	1		
8	152	367424316	CHECK VALVE	1		
8	153	377650050	CHECK VALVE PLATE	1		
8	159	377300600	INTAKE CASE ASSY	1		INC.160-163
8	160	377350180	CHOKE LEVER	1		
8	161	388350170	CHOKE PLATE	1		
8	162	377300601	TAPPING SCREW 4X12	2		
8	163	377350190	INTAKE PLATE	1		
8	164	367360565	SCREW ASS'Y M5X65	2		
8	165	377167999	HOSE CLAMP	1		
8	166	377143999	HOSE CLAMP	1		
8	167	377650040	AIR CLEANER DUCT	1		

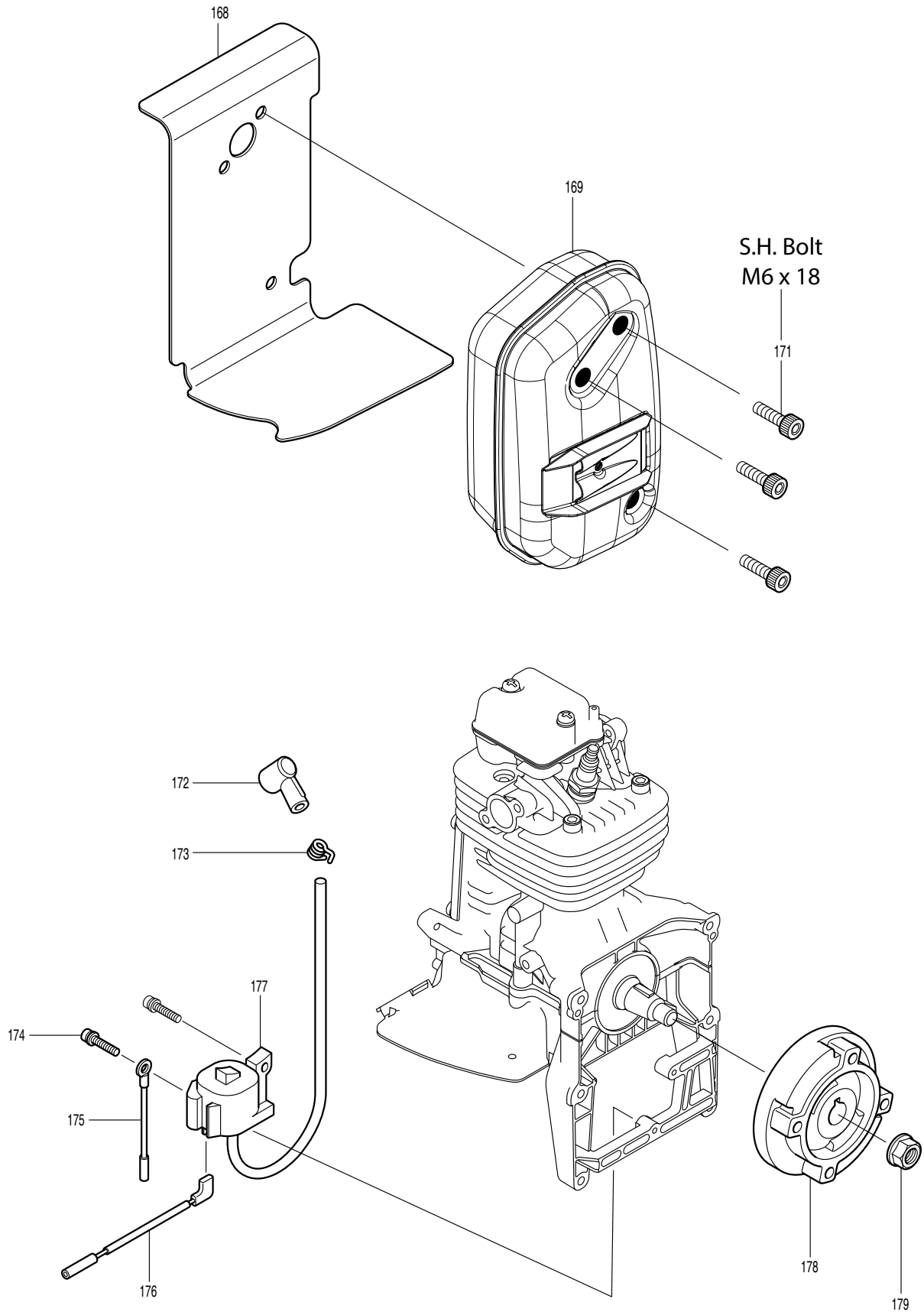
OIL TUBE ASSEMBLY



Products with multiple versions are listed in subsiding order with the newest version on top not indented.

Corresponding bulletins are attached. Select bulletin name or attachment to view.

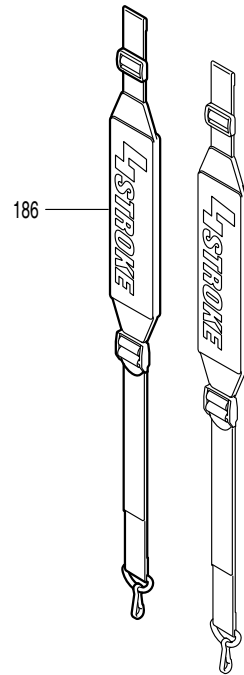
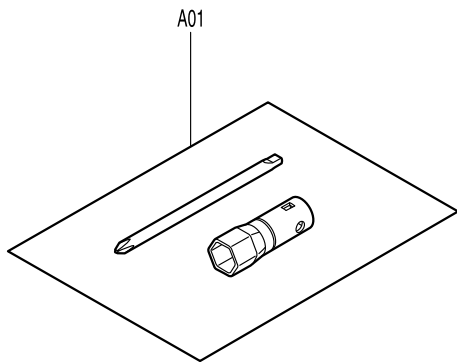
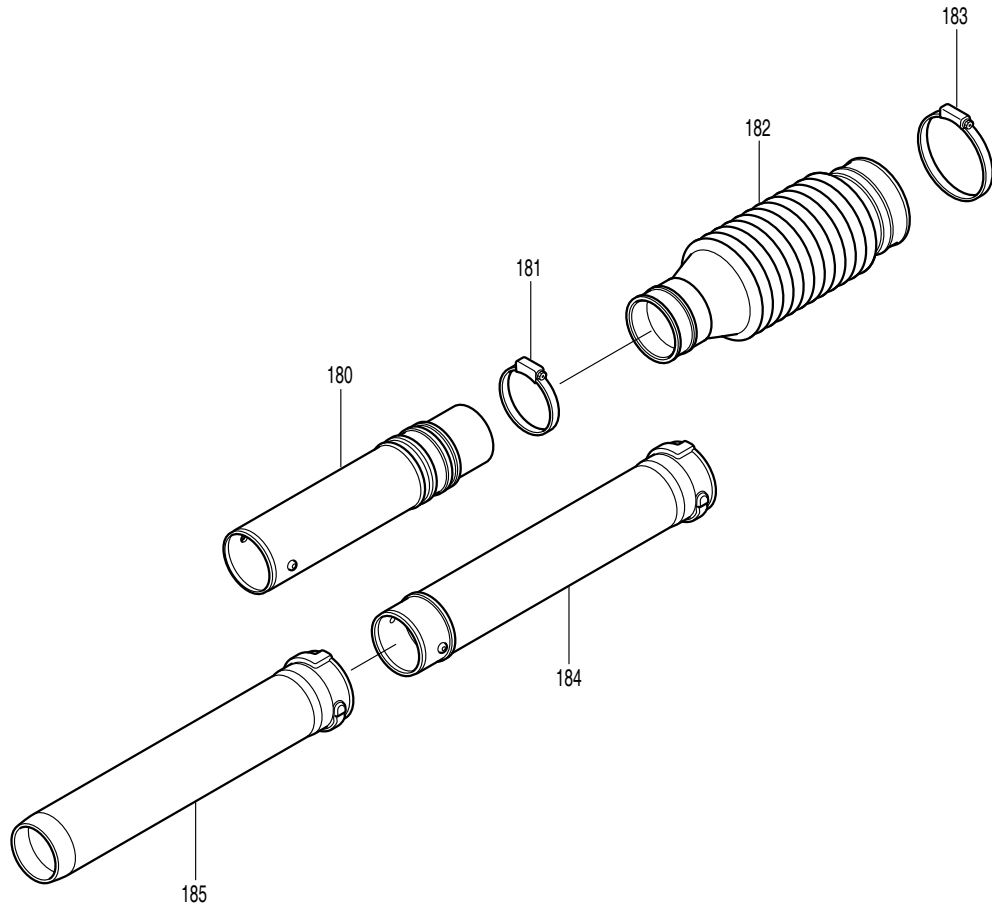
Section	Fig. No.	Part No.	Description	PB7602.4	Tech Bulletin	Notes
9	154	377113992	TUBE 3-105	1		
9	155	282027-4	HOSE CLAMP 6	1		
9	156	377102993	TUBE 3-25	1		
9	157	452952-5	HOSE JOINT	1		
9	158	377119996	TUBE 3-190	1		
9	200	377412123	TUBE 10-50	1		
9	201	377412127	TUBE 10-170	1		
9	202	377412124	TUBE 10-220	1		
9	203	377412122	TUBE 3-240	1		



Products with multiple versions are listed in subsiding order with the newest version on top not indented.

Corresponding bulletins are attached. Select bulletin name or attachment to view.

Section	Fig. No.	Part No.	Description	PB7602.4	Tech Bulletin	Notes
10	168	377350130	MUFFLER GASKET	1		
10	169	377300103	MUFFLER EXHAUST	1		
10	171	377266771	SOCKET HEAD BOLT M6X18	3		
10	172	367424105	PLUG CAP	1		
10	173	367324891	PLUG CAP SPRING	1		
10	174	388904997	SOCKET HEAD BOLT M4X20	2		
10	175	638784-6	WIRE	1		
10	176	638710-5	LEAD WIRE	1		
10	177	377700101	IGNITION COIL	1		
10	178	377700102	FLYWHEEL COMPL	1		
10	179	377371000	FLANGE NUT M10	1		



Products with multiple versions are listed in subsiding order with the newest version on top not indented.

[Corresponding bulletins are attached. Select bulletin name or attachment to view.](#)

Section	Fig. No.	Part No.	Description	PB7602.4	Tech Bulletin	Notes
11	180	377900200	SWIVEL PIPE COMPLETE	1		
11	181	377176999	HOSE CLAMP	1		
11	182	377950000	FLEXIBLE PIPE	1		
11	183	377100999	HOSE CLAMP	1		
11	184	377950180	STRAIGHT PIPE	1		
11	185	377950190	END PIPE	1		
11	186	388900100	BAND COMPL	2		
11	A01	388905900	TOOL KIT	1		