

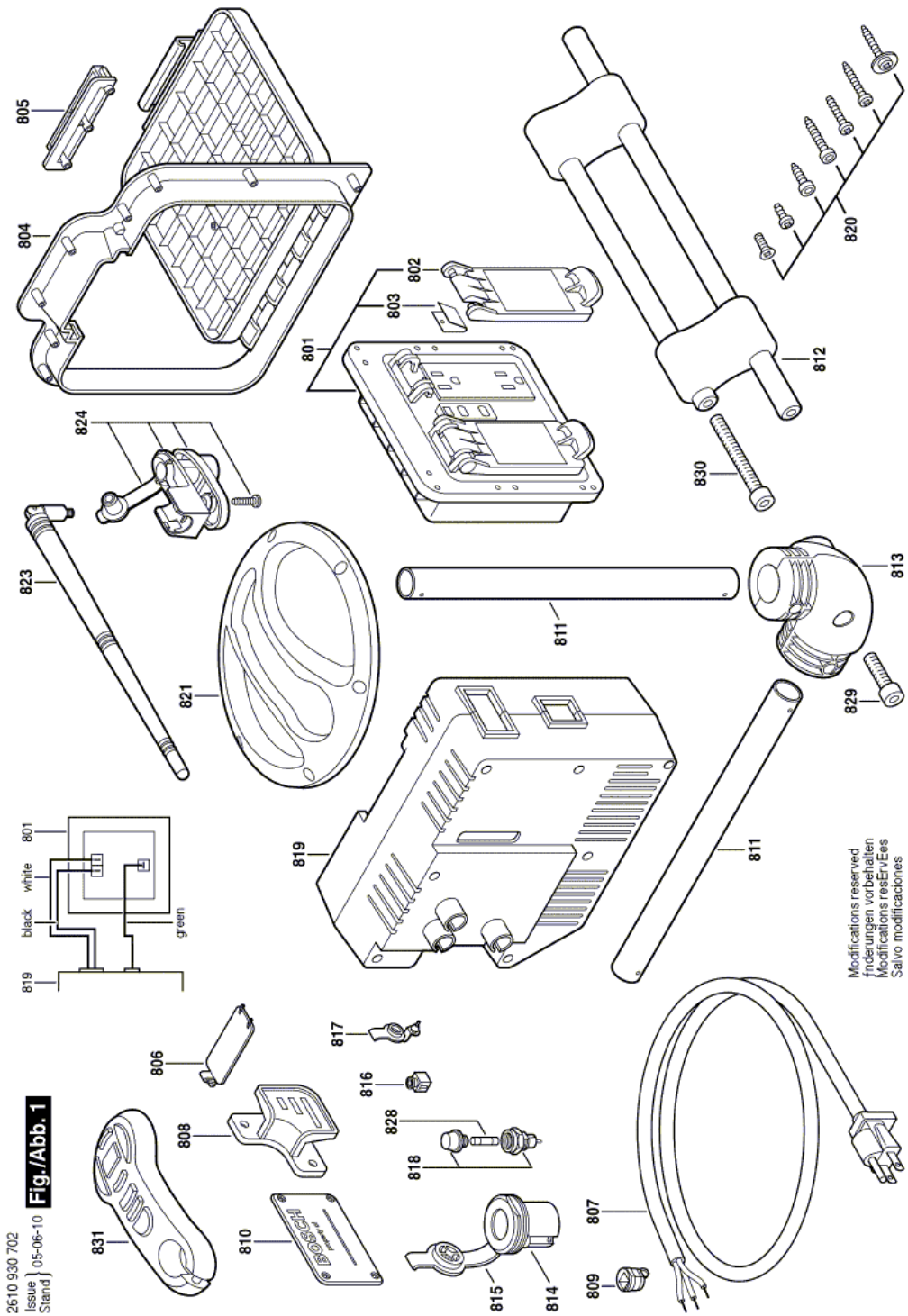
. - 2 610 930 702 - ----

www.powertools-aftersaleservice.com

**BOSCH**

Item	Part Number	Description	Illustration	Price	Quantity	Price Group
801	2 610 923 571	Electronic Box	1	-,-	1	43
802	2 610 923 572	Door	1	-,-	2	-
803	2 610 923 573	Spring Plate	1	-,-	2	-
804	2 610 923 574	Hinge	1	-,-	1	28
805	2 610 923 575	Door lock	1	-,-	1	13
806	2 610 923 576	Battery Tray	1	-,-	1	12
807	2 610 923 577	Cord	1	-,-	1	-
808	2 610 923 578	Holding Fixture	1	-,-	2	17
809	2 610 923 579	Grommet	1	-,-	1	-
810	2 610 923 580	Sticker	1	-,-	1	15
811	2 610 923 581	Longitudinal Strut	1	-,-	8	20
812	2 610 923 582	Assembly Frame	1	-,-	4	29
813	2 610 923 583	Elbow Piece	1	-,-	8	17
814	2 610 923 584	Terminal lug	1	-,-	1	-
815	2 610 923 585	Cover	1	-,-	1	-
816	2 610 923 586	Auxiliary Contactor	1	-,-	1	-
817	2 610 923 587	Cover	1	-,-	1	-
818	2 610 923 588	Fuse Holder	1	-,-	1	-
819	2 610 923 589	Power Transformer	1	-,-	1	-
820	2 610 923 590	Assembly Kit	1	-,-	1	21
821	2 610 930 711	Handle	1	-,-	1	21
823	2 610 925 217	Rod Antenna	1	-,-	1	22
824	2 610 925 219	Assembly Kit	1	-,-	1	14
828	2 610 911 248	Fuse	1	-,-	1	-
829	2 910 141 203	Hex Socket Head Cap Screw DIN 912-M6x25-8.8	1	-,-	8	11
830	2 910 141 213	Hex Socket Head Cap Screw DIN 912-M6x50-8.8	1	-,-	8	13
831	2 610 930 712	Remote Control	1	-,-	1	29

Illustration - Type E



Information subject to change without further notice.