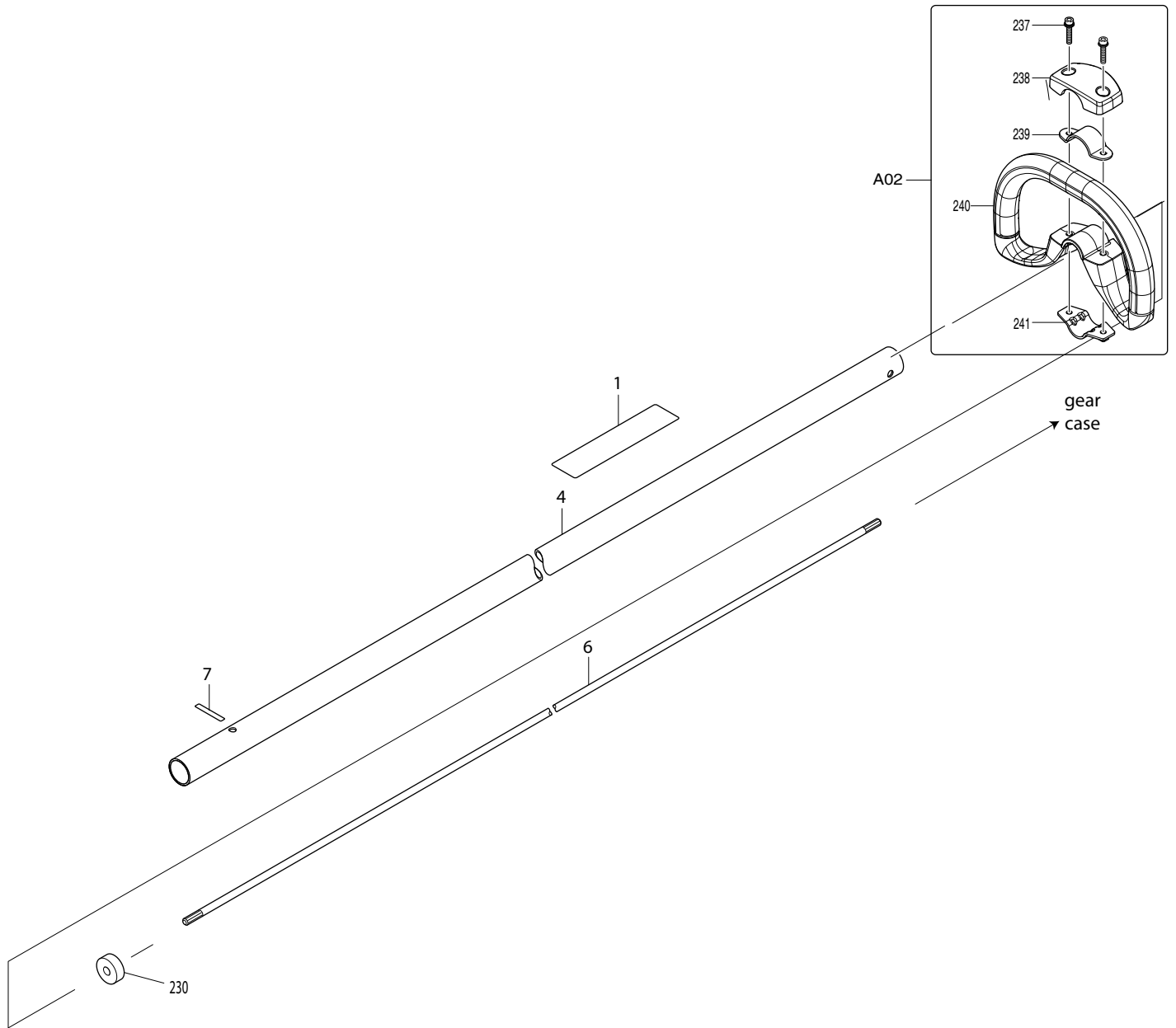


**DOLMAR**

**PARTS BREAKDOWN**

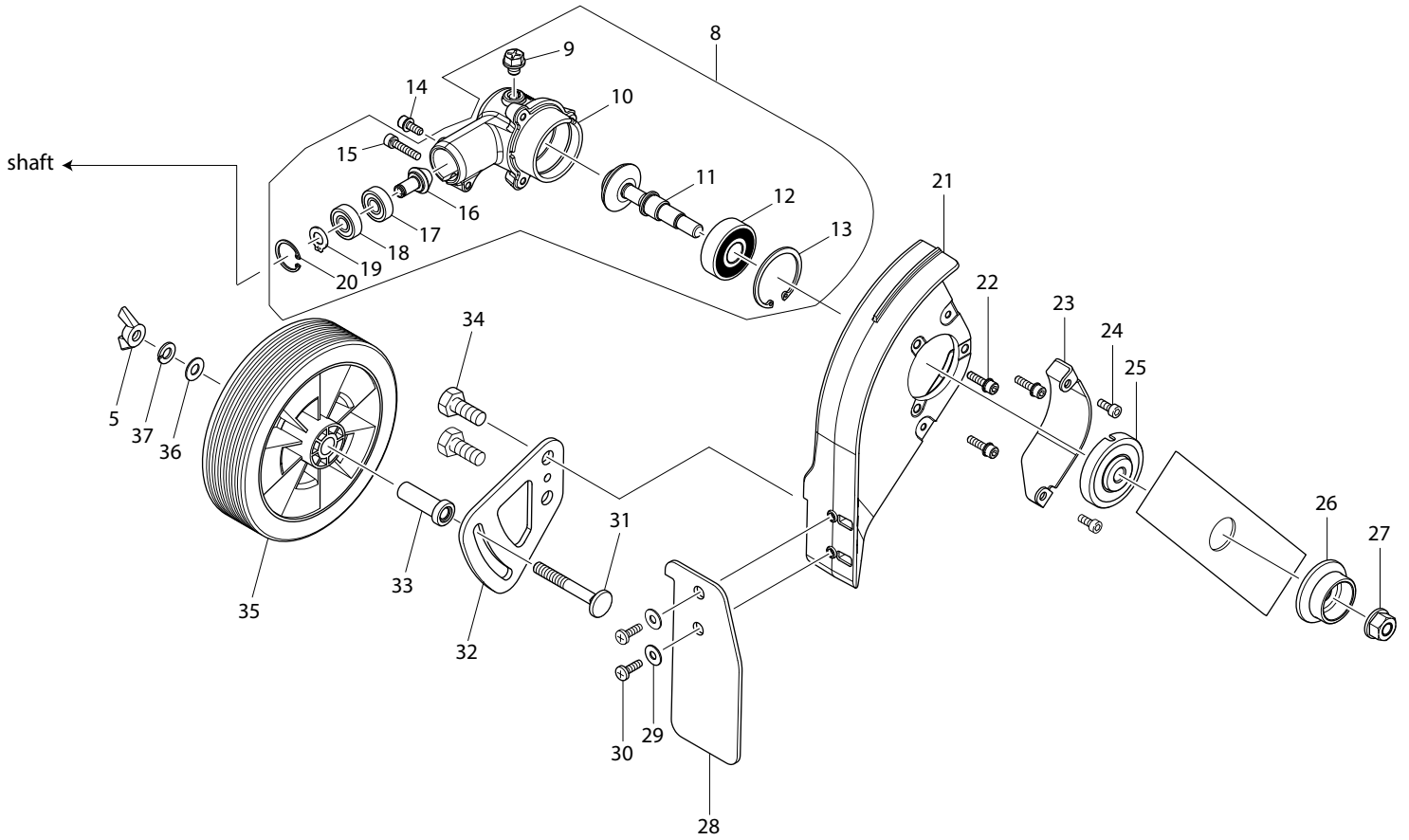
**PE-254.4**



Products with multiple versions are listed in subsiding order with the newest version on top not indented.

Corresponding technical bulletins are attached.

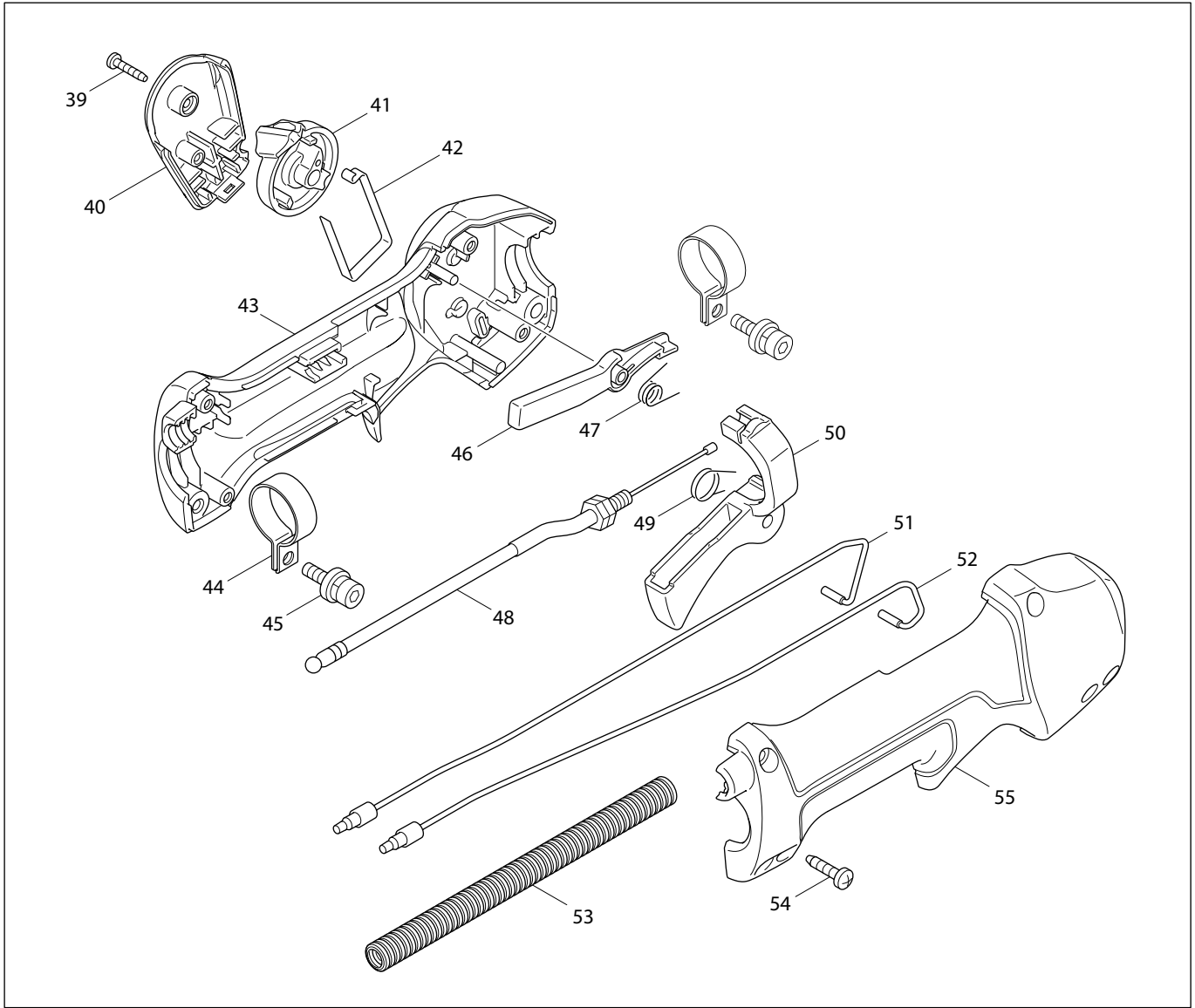
Section	Fig. No.	Part No.	Description	Désignation	PE-254.4	Tech Bulletin	Notes
1	4	142509-7	SHAFT PIPE COMPLETE		1		
1	6	367324893	SHAFT		1		
1	230	367443170	FELT		1		
1	237	660922243	HEX. SOCKET HEAD BOLT M5X25		2		
1	238	660452843	CLAMP COVER B		1		
1	239	381346467	PIPE CLAMP 24		1		
1	240	660452841	LOOP HANDLE		1		
1	241	381346468	PIPE CLAMP 33		1		
1	A02	660195626	LOOP HANDLE SET		1		



Products with multiple versions are listed in subsiding order with the newest version on top not indented.

Corresponding technical bulletins are attached.

Section	Fig. No.	Part No.	Description	Désignation	PE-254.4	Tech Bulletin	Notes
2	5	934401-9	WING NUT M8		1		
2	8	126414-6	GEAR CASE ASS'Y		1		INC. 9-13,15-20
2	9	367265590	+HEX.BOLT M8X10 WITH R		1		
2	10	319102-4	GEAR CASE		1		
2	11	126415-4	CUTTER SHAFT ASS'Y		1		
2	12	211231-8	BALL BEARING 6302DDW		1		
2	13	962201-7	RETAINING RING (INT) R-42		1		
2	14	367922218	H.S.H.BOLT M5X14 WITH WR		1		
2	15	367922241	HEX. SOCKET HEAD BOLT M5X25		1		
2	16	227629-9	SPIRAL BEVEL GEAR 14		1		
2	17	367210049	BALL BEARING 609ZZ		1		
2	18	367210049	BALL BEARING 609ZZ		1		
2	19	367961005	RETAINING RING S-9		1		
2	20	367962103	RETAINING RING R-24		1		
2	21	319103-2	BLADE CASE		1		
2	22	320922233	HEX SOCKET HEAD BOLT M5X20		3		
2	23	346759-8	GUARD PLATE		1		
2	24	266874-1	H.S.H.BOLT M5X14		2		
2	25	326382-5	RECEIVE WASHER		1		
2	26	326381-7	CLAMP		1		
2	27	367264025	HEX. NUT M10-17		1		
2	28	424615-3	DEFLECTOR		1		
2	29	253804-1	FLAT WASHER 6		2		
2	30	266027-2	TAPPING SCREW CT5X16		2		
2	31	266876-7	C.H.SQUARE NECK BOLT M8X62		1		
2	32	346758-0	PLATE		1		
2	33	257821-3	SLEEVE 8		1		
2	34	921542-0	HEX. BOLT M10X25		2		
2	35	454843-6	WHEEL		1		
2	36	660941201	FLAT WASHER 8		1		
2	37	320942201	SPRING WASHER 8		1		



38

Products with multiple versions are listed in subsiding order with the newest version on top not indented.

Corresponding technical bulletins are attached.

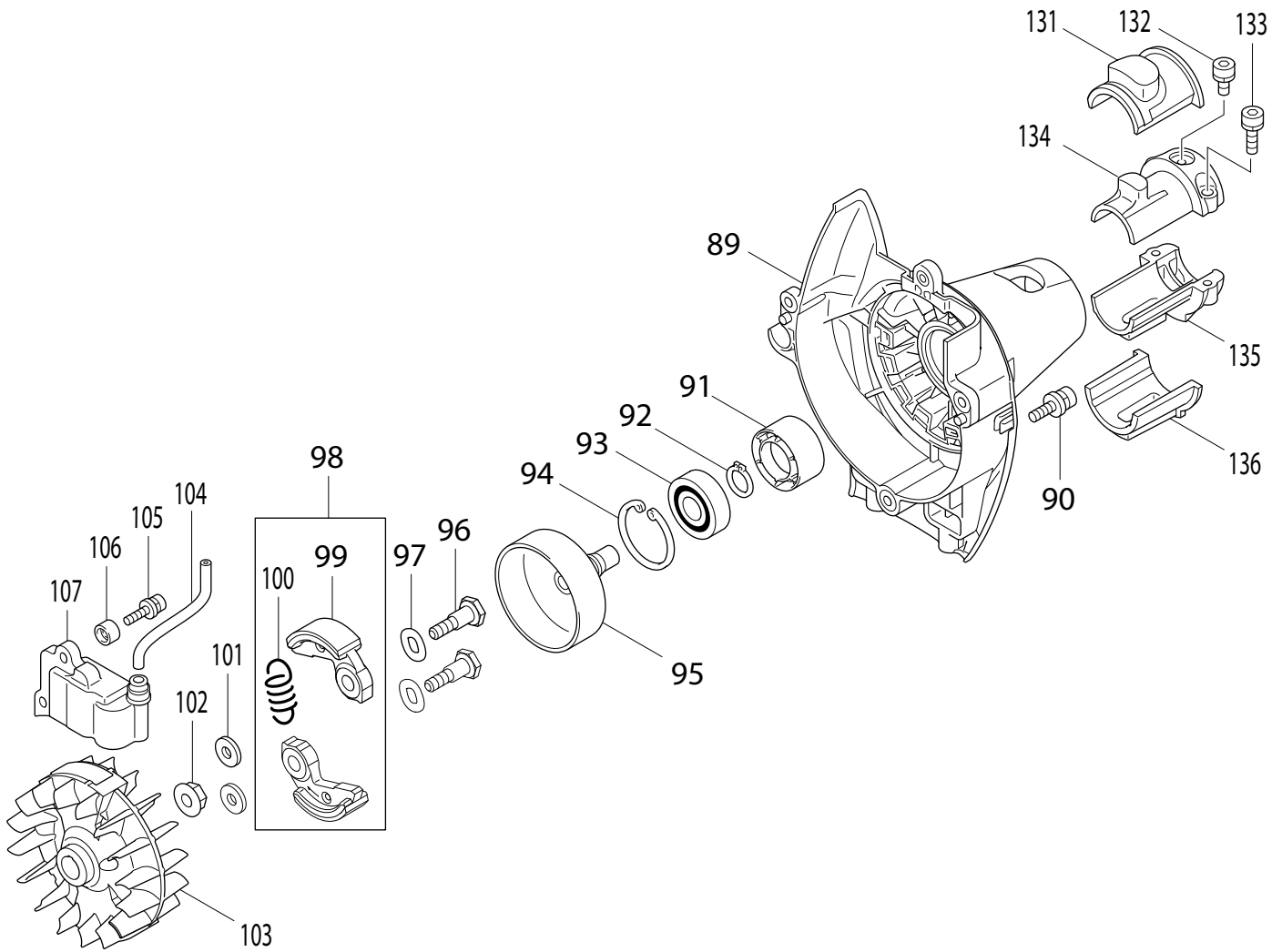
Section	Fig. No.	Part No.	Description	Désignation	PE-254.4	Tech Bulletin	Notes
3	38	126488-7	CONTROL LEVER ASSEMBLY		1		INC. 39-55
3	39	367266130	TAPPING SCREW BIND PT 3X16		1		
3	40	367451595	SWITCH COVER		1		
3	41	367451594	SWITCH LEVER		1		
3	42	367232251	LEAF SPRING		1		
3	43	367188832	LEVER CASE SET		1		INC. 55
3	44	367346248	CLAMP 24		2		
3	45	367922218	H.S.H.BOLT M5X14 WITH WR		2		
3	46	367451593	LOCK LEVER		1		
3	47	367233541	TORSION SPRING 7		1		
3	48	367168571	CONTROL CABLE		1		
3	49	367233540	TORSION SPRING 11		1		
3	50	455313-8	THROTTLE LEVER		1		
3	51	367638714	LEAD UNIT		1		
3	52	367638713	LEAD UNIT		1		
3	53	367452071	CORRUGATE TUBE		1		
3	54	660266326	TAPPING SCREW 4X18		4		
3	55	367188832	LEVER CASE SET		1		INC. 43



Products with multiple versions are listed in subsiding order with the newest version on top not indented.

Corresponding technical bulletins are attached.

Section	Fig. No.	Part No.	Description	Désignation	PE-254.4	Tech Bulletin	Notes
4	60	381126202	CLEANER COVER ASSEMBLY		1		INC. 61
4	61	374265791	THUMB SCREW M4		1		
4	62	367443171	AIR CLEANER ELEMENT		1		
4	63	367443169	AIR CLEANER ELEMENT		1		
4	64	367266618	H.S.BUTTON HEAD BOLT M5X60		2		
4	65	381126198	CLEANER PLATE ASSEMBLY		1		INC. 66- 68,223,224,231- 234
4	66	381162346	SEPARATOR PLATE		1		
4	67	367213540	O RING 15		1		
4	68	367424316	CHECK VALVE		2		
4	69	381422099	PIPE		1		
4	70	367325665	JOINT PIPE		1		
4	71	367442153	CARBURETOR GASKET		1		
4	72	381266787	H.S.H.BOLT M5X18 WITH WR		2		
4	73	367451825	CLAMP		1		
4	74	367451729	INSULATOR		1		
4	75	367213547	O-RING 12		1		
4	125	367638707	LEAD UNIT		1		
4	126	367638708	LEAD UNIT		1		
4	128	367922218	H.S.H.BOLT M5X14 WITH WR		1		
4	129	367453569	CYLINDER COVER		1		
4	130	367922218	H.S.H.BOLT M5X14 WITH WR		1		
4	217	367941152	FLAT WASHER 6		1		
4	223	367266427	TAPPING SCREW 4X12		1		
4	224	367452219	CHOKE PLATE		1		
4	231	367452220	CHOKE LEVER		1		
4	232	320266007	TAPPING SCREW BIND PT 3X10		1		
4	233	381352020	SEPARATOR MESH		1		
4	234	381453865	SEPARATOR CASE		1		

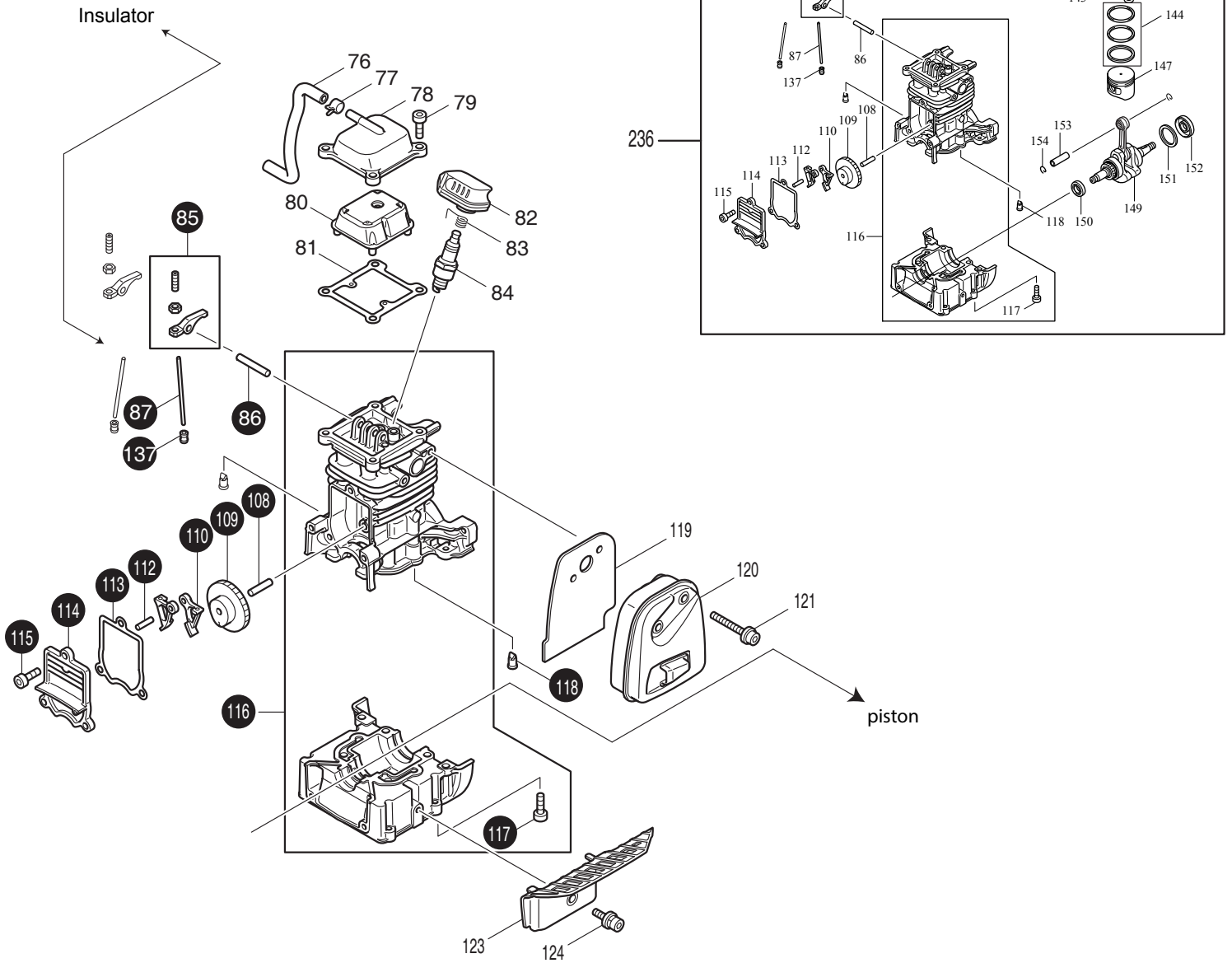


Products with multiple versions are listed in subsiding order with the newest version on top not indented.

Corresponding technical bulletins are attached.

Section	Fig. No.	Part No.	Description	Désignation	PE-254.4	Tech Bulletin	Notes
5	89	367451735	CLUTCH CASE		1		
5	90	367922228	H.S.H.BOLT M5X18 WITH WR		3		
5	91	367450569	SPACER		1		
5	92	660961052	RETAINING RING S-12		1		
5	93	367210111	BALL BEARING 6201LLU		1		
5	94	367962151	RETAINING RING R-32		1		
5	95	168809-7	CLUTCH DRUM		1		
5	96	367266864	SHOULDER HEX. BOLT M6X25		2		
5	97	367267817	WASHER 8		2		
5	98	381126135	CLUTCH ASSEMBLY		1		INC. 99, 100
5	99	367168498	CLUTCH SHOE		2		
5	100	381231881	TENSION SPRING 7		1		
5	101	367267812	WASHER 6		2		
5	102	374109107	CONED DISK SPRING HEXNUT M8-13		1		
5	103	367318569	FLYWHEEL		1		
5	104	367444021	TUBE		1		
5	105	367266602	HEX. SOCKET HEAD BOLT M4X20		2		
5	106	367452049	SPACER		2		
5	107	367168559	IGNITION COIL		1		
5	131	374424082	BUFFER RUBBER		1		
5	132	367922211	HEX. SOCKET HEAD BOLT M5X12		1		
5	133	367922226	HEX. SOCKET HEAD BOLT M5X18		2		
5	134	374318249	PIPE HOLDER		1		
5	135	374318250	PIPE HOLDER		1		
5	136	374424083	BUFFER RUBBER		1		

### Included in Short Block Assembly Fig. No. 236.



Products with multiple versions are listed in subsiding order with the newest version on top not indented.

Corresponding technical bulletins are attached.

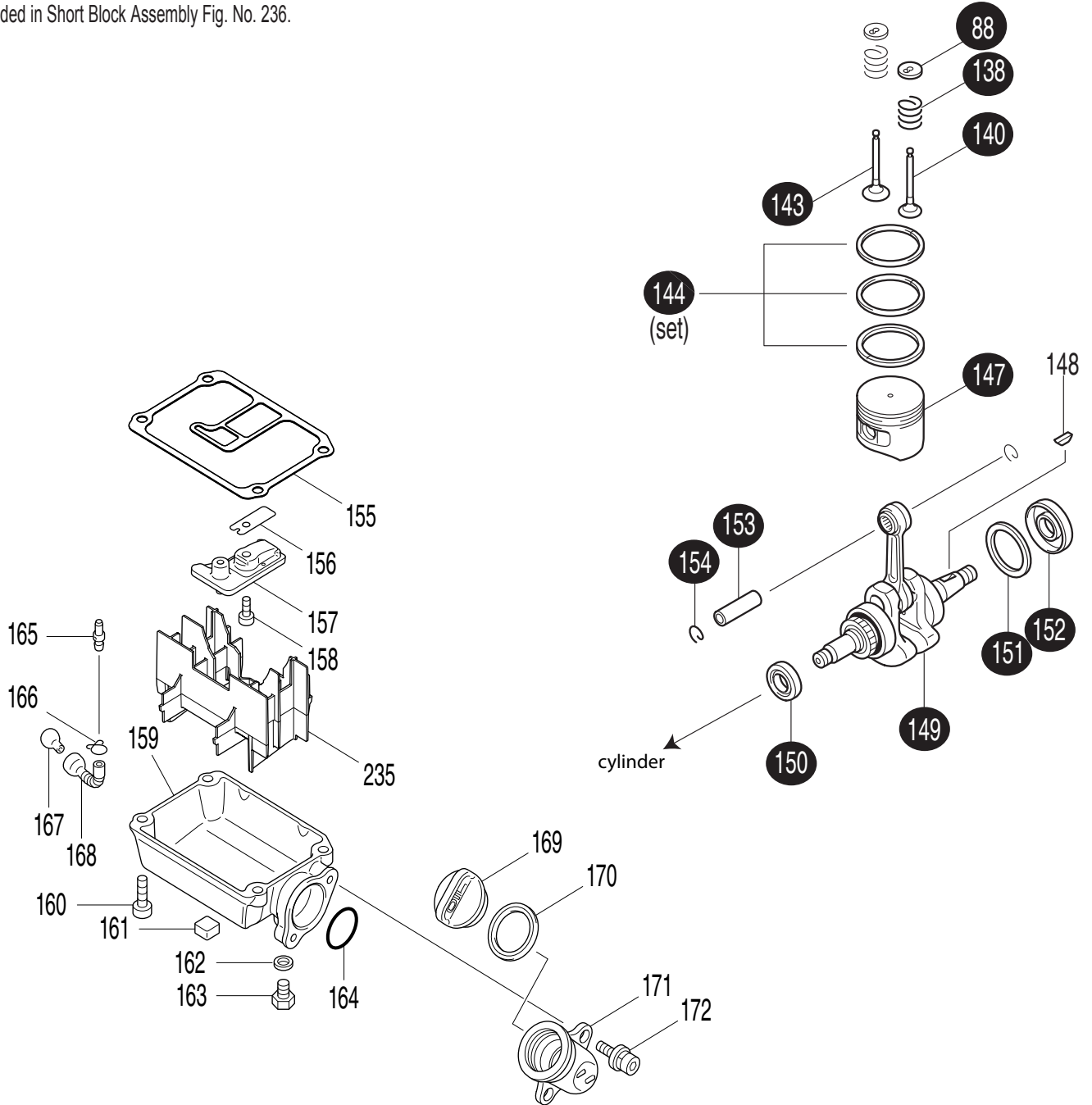
Section	Fig. No.	Part No.	Description	Désignation	PE-254.4	Tech Bulletin	Notes
6	76	381422109	BREATHER PIPE		1		
6	77	367345918	HOSE CLAMP		1		
6	78	367318745	ROCKER COVER OUTER		1		
6	79	367922222	HEX. SOCKET HEAD BOLT M5X16		4		
6	80	381453860	ROCKER COVER INNER		1		
6	81	367162304	ROCKER COVER GASKET		1		
6	82	374424302	PLUG CAP		1		
6	83	367324891	PLUG CAP SPRING		1		
6	84	367168534	SPARK PLUG		1		
6	85	367125554	ROCKER ARM ASSEMBLY		2		
6	86	367256200	PIN 5		1		
6	87	367256865	ROD 2.5		2		
6	88	367325668	SPRING RETAINER		2		
6	108	367268238	PIN 5		1		
6	109	367125552	CAM GEAR ASSEMBLY		1		
6	110	367313169	CAM LIFTER		2		
6	112	367268239	PIN 4		1		
6	113	367162274	CAM GEAR COVER GASKET		1		
6	114	367318443	CAM GEAR COVER		1		
6	115	367922222	HEX. SOCKET HEAD BOLT M5X16		3		
6	116	367135478	CYLINDER BLOCK ASSEMBLY		1		INC. 117,118,137
6	117	367922222	HEX. SOCKET HEAD BOLT M5X16		6		
6	118	367424201	CHECK VALVE		2		
6	119	367346331	MUFFLER GASKET		1		
6	120	367168554	EXHAUST MUFFLER		1		
6	121	367266440	HEX SOCKET HEAD BOLT M5X40		2		
6	123	367451731	MUFFLER PLATE		1		
6	124	367922218	H.S.H.BOLT M5X14 WITH WR		1		
6	137	367424200	SPACER		2		
6	138	367234108	COMPRESSION SPRING 9		2		
6	140	367325669	EXHAUST VALVE		1		
6	143	367325670	INTAKE VALVE		1		

Products with multiple versions are listed in subsiding order with the newest version on top not indented.

Corresponding technical bulletins are attached.

Section	Fig. No.	Part No.	Description	Désignation	PE-254.4	Tech Bulletin	Notes
6	144	367195145	PISTON RING SET		1		
6	147	367318441	PISTON		1		
6	149	126359-8	CRANK SHAFT ASSEMBLY		1		INC. 150-152
6	150	367213148	OIL SEAL 10		1		
6	151	367267400	FLAT WASHER 23		1		
6	152	367213147	OIL SEAL 12		1		
6	153	367257781	PISTON PIN		1		
6	154	367233976	CLIP		2		
6	236	367135599	SHORT BLOCK ASS'Y 25.4CC		1		INC. 85-88, 108-110,112- 118,137,138,140, 143,144,147, 149-154

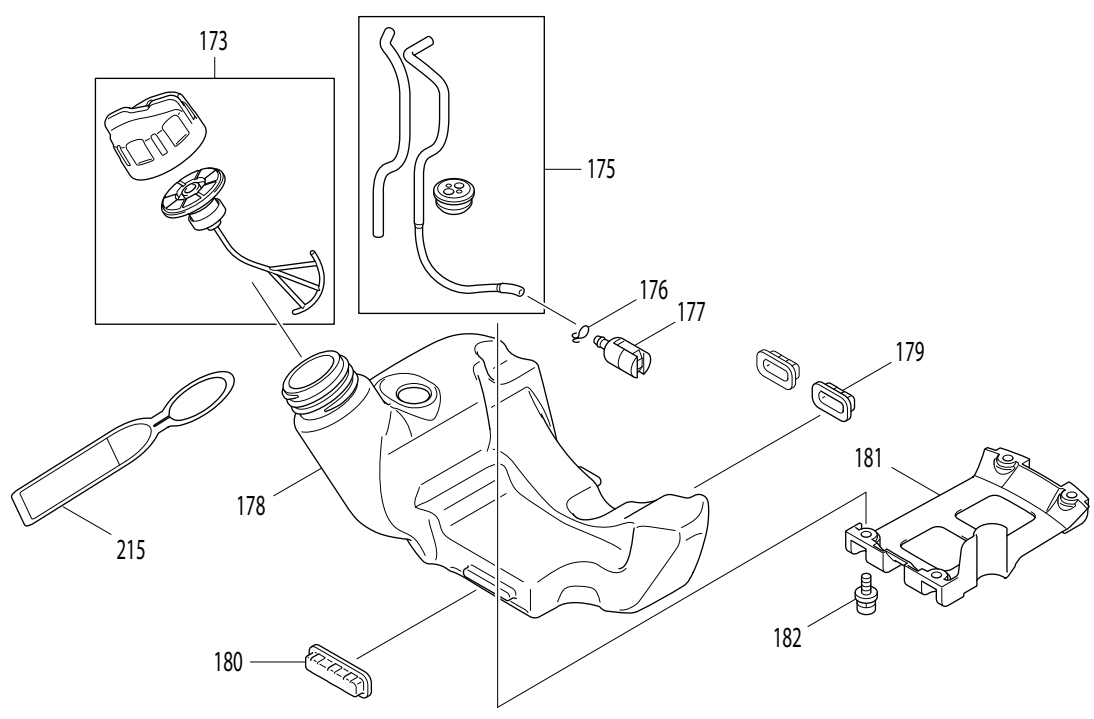
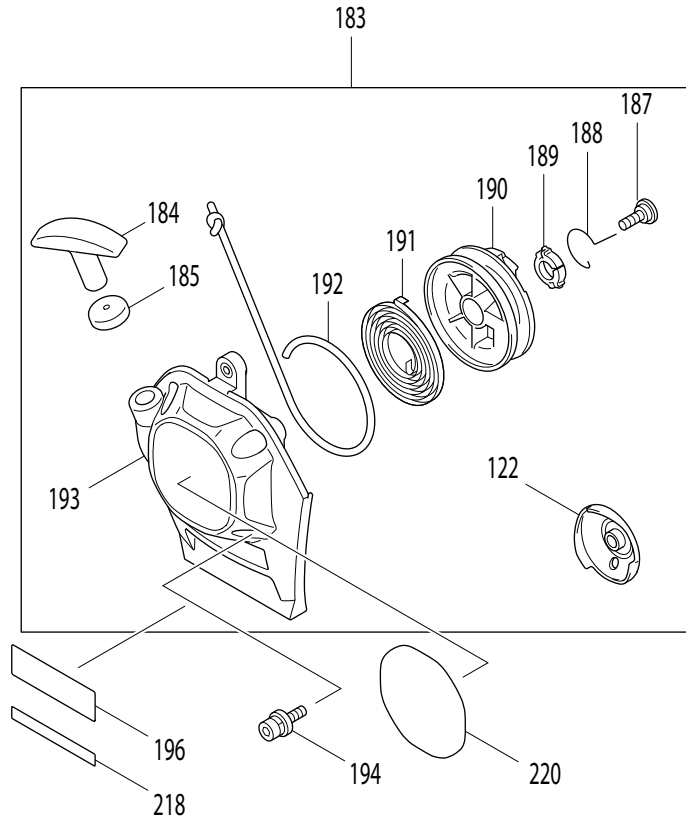
### Included in Short Block Assembly Fig. No. 236.



Products with multiple versions are listed in subsiding order with the newest version on top not indented.

Corresponding technical bulletins are attached.

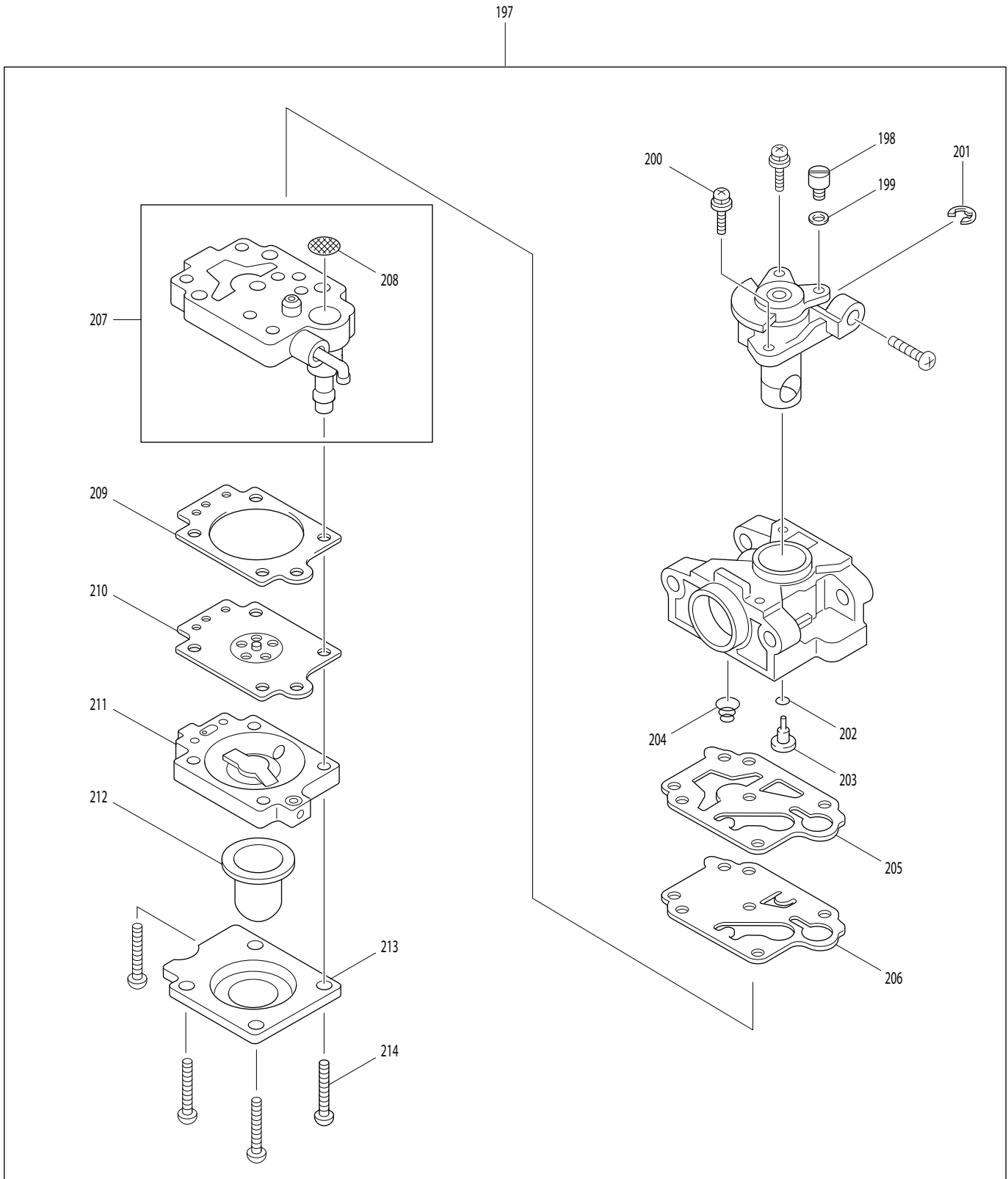
Section	Fig. No.	Part No.	Description	Désignation	PE-254.4	Tech Bulletin	Notes
7	88	367325668	SPRING RETAINER		2		
7	138	367234108	COMPRESSION SPRING 9		2		
7	140	367325669	EXHAUST VALVE		1		
7	143	367325670	INTAKE VALVE		1		
7	144	367195145	PISTON RING SET		1		
7	147	367318441	PISTON		1		
7	148	367254040	WOODRUFF KEY 3		1		
7	149	126359-8	CRANK SHAFT ASSEMBLY		1		INC. 150-152
7	150	367213148	OIL SEAL 10		1		
7	151	367267400	FLAT WASHER 23		1		
7	152	367213147	OIL SEAL 12		1		
7	153	367257781	PISTON PIN		1		
7	154	367233976	CLIP		2		
7	155	381162345	OIL CASE GASKET		1		
7	156	367346083	LEAD VALVE		1		
7	157	381318910	RETAINER PLATE		1		
7	158	367922112	HEX. SOCKET HEAD BOLT M4X10		1		
7	159	367318588	OIL CASE		1		
7	160	367922222	HEX. SOCKET HEAD BOLT M5X16		4		
7	161	367424344	DAMPER		1		
7	162	367346305	GASKET		1		
7	163	367266611	HEX BOLT M6X8		1		
7	164	367213548	O-RING 20		1		
7	165	367325665	JOINT PIPE		1		
7	166	367282020	HOSE CLAMP		1		
7	167	367325666	OIL WEIGHT		1		
7	168	367424301	OIL TUBE		1		
7	169	388650150	OIL CAP		1		
7	170	388322999	GASKET		1		
7	171	367452048	OIL PIPE		1		
7	172	367922218	H.S.H.BOLT M5X14 WITH WR		2		
7	235	381453862	OIL CASE PLATE		1		



Products with multiple versions are listed in subsiding order with the newest version on top not indented.

Corresponding technical bulletins are attached.

Section	Fig. No.	Part No.	Description	Désignation	PE-254.4	Tech Bulletin	Notes
8	122	367168483	PULLEY		1		
8	173	367125728	FUEL TANK CAP ASSEMBLY		1		
8	175	367168775	TUBE COMPLETE		1		
8	176	367282020	HOSE CLAMP		1		
8	177	367163518	GASOLINE FILTER		1		
8	178	367454010	FUEL TANK		1		
8	179	374424080	BUFFER RUBBER		2		
8	180	374424081	BUFFER RUBBER		1		
8	181	367451737	TANK GUARD		1		
8	182	367922218	H.S.H.BOLT M5X14 WITH WR		4		
8	183	367195308	RECOIL STARTER SET		1		INC. 122,184,185,187- 193
8	184	367424319	STARTER KNOB		1		
8	185	367424359	DAMPER		1		
8	187	367266585	TAPPING SCREW 5X12		1		
8	188	367325923	SWING ARM		1		
8	189	367451938	COLLAR		1		
8	190	367451937	REEL		1		
8	191	367232258	SPIRAL SPRING		1		
8	192	367444023	STARTER ROPE		1		
8	193	367451733	STARTER CASE		1		
8	194	367922223	H.S.H.BOLT M5X16 WITH WR		4		



Products with multiple versions are listed in subsiding order with the newest version on top not indented.

Corresponding technical bulletins are attached.

Section	Fig. No.	Part No.	Description	Désignation	PE-254.4	Tech Bulletin	Notes
9	197	381168762	CARBURETOR		1		INC. 198-207,209-214
9	198	367325922	SWIVEL		1		
9	199	367413140	WASHER		1		
9	200	367266581	PAN HEAD SCREW M3X8 WITH W		2		
9	201	367257964	STOP RING E-3		1		
9	202	367213538	O RING 2		1		
9	203	367325985	JET		1		
9	204	367234183	CONICAL COMPRESSION SPRING 5-9		1		
9	205	367442155	PUMP GASKET		1		
9	206	367168575	PUMP DIAPHRAGM		1		
9	207	381141737	PUMP BODY		1		INC. 208
9	208	367352021	INLET SCREEN		1		
9	209	367442154	METERING DIAPHRAGM GASKET		1		
9	210	367168620	METERING DIAPHRAGM		1		
9	211	367140438	AIR PURGE BODY		1		
9	212	367424314	PRIMER PUMP		1		
9	213	367346270	PRIMER PUMP COVER		1		
9	214	367266582	TAPPING SCREW 3X24		4		