

TORQUE 80-120 IN-LBS

27

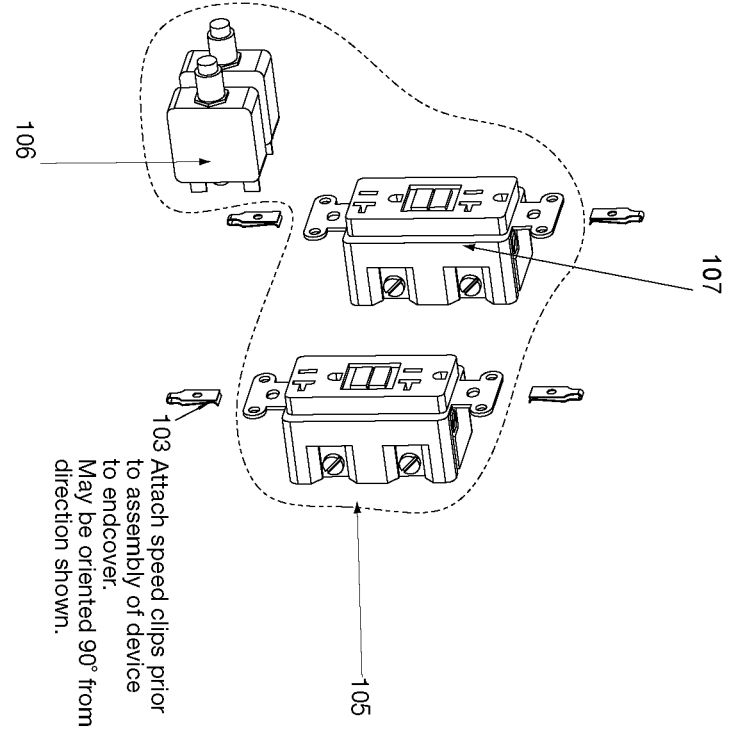
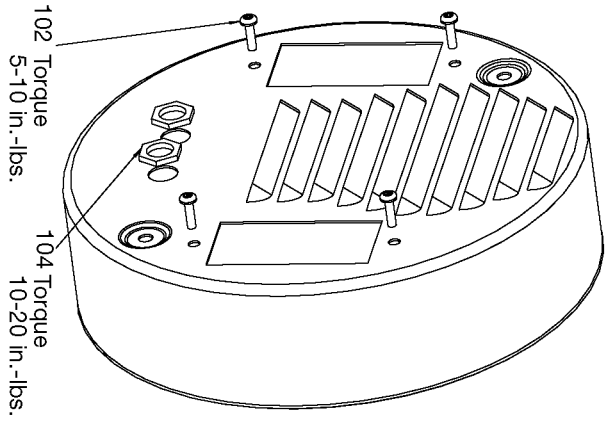
24

27 TORQUE 50-70 IN-LBS

21

22 INSERT BUTTON THRU SECOND HOLE

23



## Parts List for PGN350 Type 0

Item Number	Part Number	Description	Qty Required
1	000000-00	No Longer Available	1
2	Z-D26572	ASSY GENERATOR 2.759	1
5	D23067	WHEEL PNEUMATIC 10IN	1
6	GS-0117	LUG GROUND	1
11	SSF-553-1	SCREW #10-24X.563 TH	1
12	D21197	PLUG TUBE 1.25 OD 18	1
14	000000-00	No Longer Available	1
15	D23574	BOLT .375-16X3.40 UN	1
16	SSF-8111-ZN	NUT .375-16 HEX WHIZ	1
21	SSF-634	SCREW .313-18X2.00 H	1
22	D26863	BUTTON SNAP .302 DIA	1
27	SSF-8150	NUT .312-18 UNC HEX	1
102	SSF-583	SCREW #6-32X.500 PAN	1
103	SSF-584	NUT #6-32 SPEED SELF	1
104	SSF-595	NUT .438-28 UNEF HEX	1
106	Z-GS-0024	BREAKER CIRCUIT 125/	1
107	GS-0644	RECEPTACLE GFCI 120V	1