

## Hot Air Gun - 0 603 268 139 - PHG 520

www.powertools-aftersaleservice.com

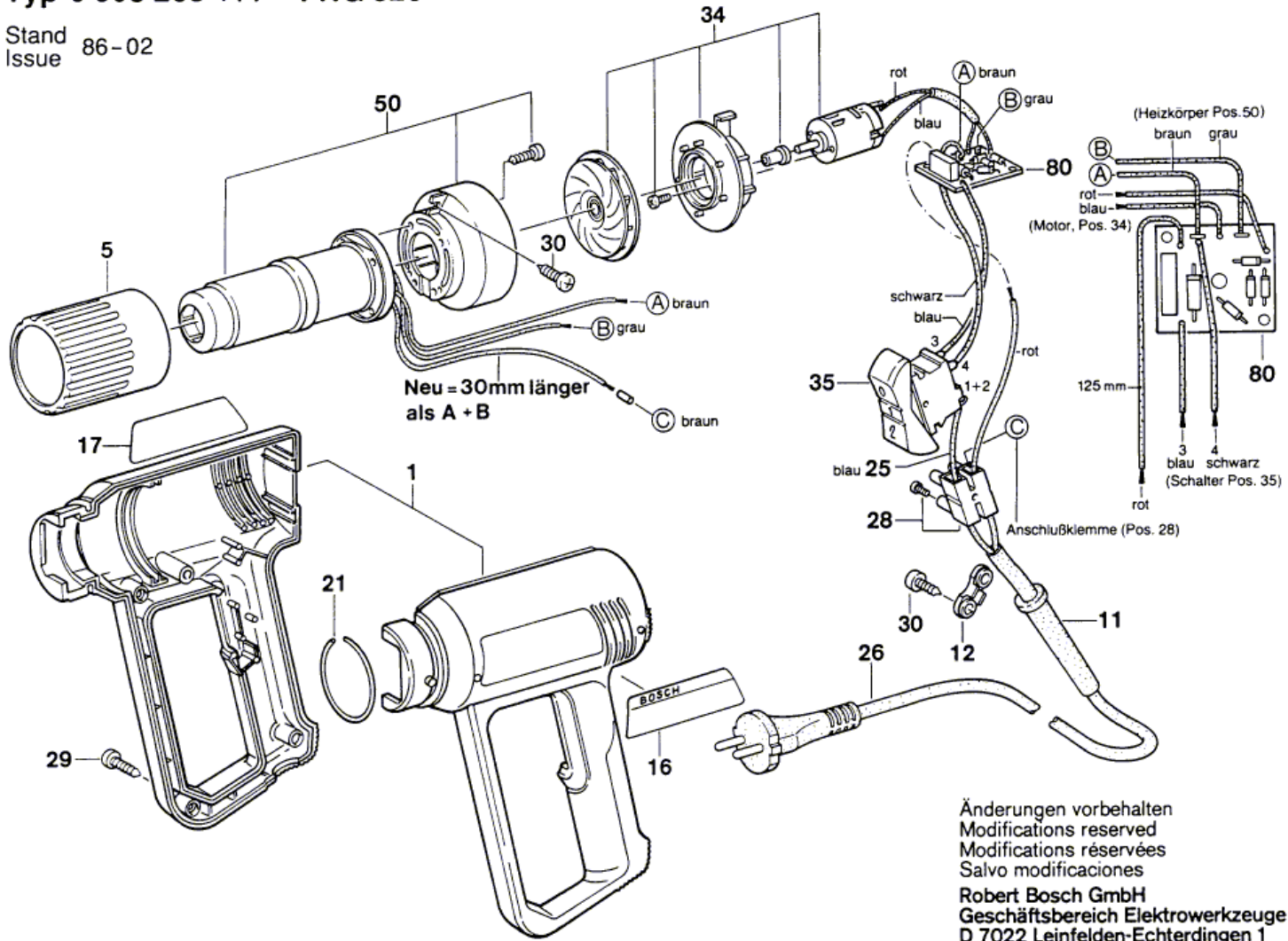


**BOSCH**

Item	Part Number	Description	Illustration	Price	Quantity	Price Group
1	1 609 201 736	Motor Housing	1	-,-	1	-
5	1 609 201 737	Protective Tube	1	-,-	1	-
11	1 609 202 793	Grommet	1	-,-	1	13
12	1 609 201 487	Fastening Clamp	1	-,-	1	11
16	1 601 110 414	Manufacturer's nameplate	1	-,-	1	13
17	1 601 110 431	Nameplate	1	-,-	1	-
21	1 609 201 490	Retaining ring CA.Ø2,3xØ47 MM	1	-,-	1	12
25	1 609 201 741	Connecting Cable	1	-,-	1	14
26	1 609 201 496	Power supply cord	1	-,-	1	23
28	1 609 390 042	connecting terminal 2-POLE	1	-,-	1	15
29	2 910 615 507	Tapping Screw DIN 7983-B2,9x16	1	-,-	4	11
30	2 910 614 406	Tapping Screw DIN 7981-ST 2,9x13-F-H	1	-,-	3	10
34	1 609 201 742	DC motor 115V	1	-,-	1	27
35	1 609 201 743	On-Off Switch	1	-,-	1	23
50	1 609 201 744	Heating Element 115V	1	-,-	1	39
80	1 609 202 219	Printed-Board Assembly 100-120V	1	-,-	1	31
701	1 609 390 450	Parts Set 75 MM	2	-,-	1	-
702	1 609 390 451	Wide Angle Nozzle 75 MM	2	-,-	1	-
703	1 609 390 452	Flat-Spray Nozzle 75 MM	2	-,-	1	-
704	1 609 390 453	Cylindrical-Spray Nozzle	2	-,-	1	-
705	1 609 201 648	Reduction Sleeve Ø 22/20 MM	2	-,-	1	-
706	1 609 201 745	Blade	2	-,-	1	23
707	1 609 201 746	Blade	2	-,-	1	23
708	1 609 201 751	Angular Jet Nozzle	N/A	-,-	1	-
709	1 609 201 752	Extension Cable	N/A	-,-	1	-
710	1 609 201 795	Flat Suction Nozzle 50 MM	N/A	-,-	1	-
711	1 609 201 796	Flat-Spray Nozzle 50 MM	N/A	-,-	1	-
720	2 915 011 009	Hex Nut DIN 934-M8-8-A	N/A	-,-	1	11
721	2 916 011 015	Plain Washer 8,4 DIN 433-ST	N/A	-,-	1	10

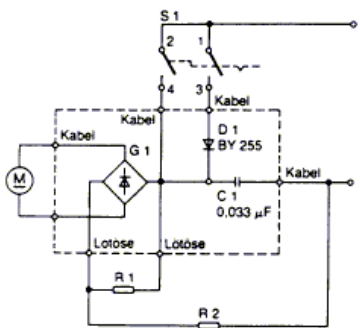
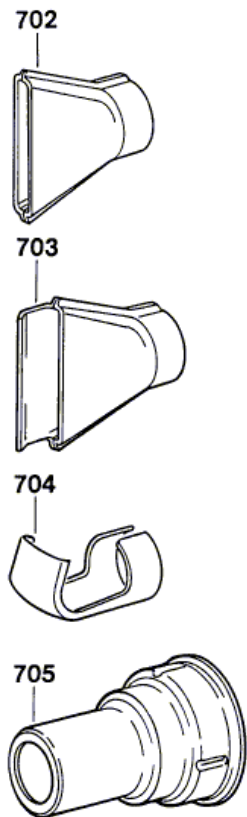
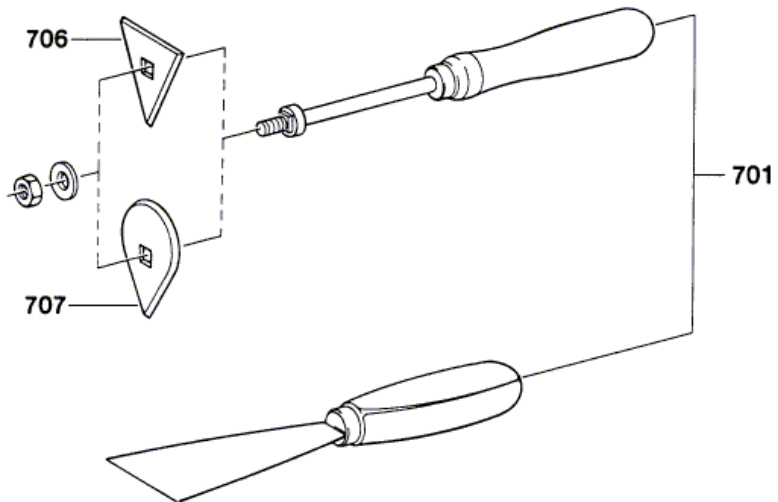
# Typ 0 603 268 1.. = PHG 520

Stand 86-02  
Issue



**Typ 0 603 268 1.. = PHG 520**

Stand 85-07  
Issue



Änderungen vorbehalten  
Modifications reserved  
Modifications réservées  
Salvo modificaciones  
**Robert Bosch GmbH**  
Geschäftsbereich Elektrowerzeuge  
D 7022 Leinfelden-Echterdingen 1

Information subject to change without further notice.